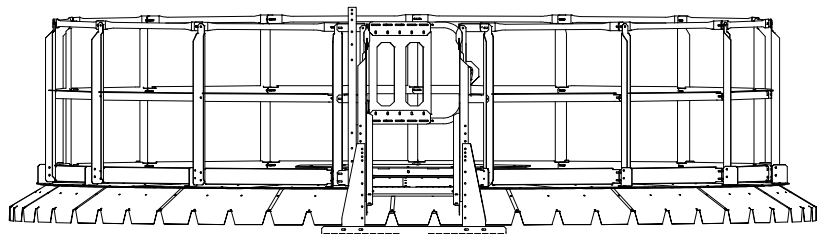


**DETAIL A**  
**SCALE 1 / 25**

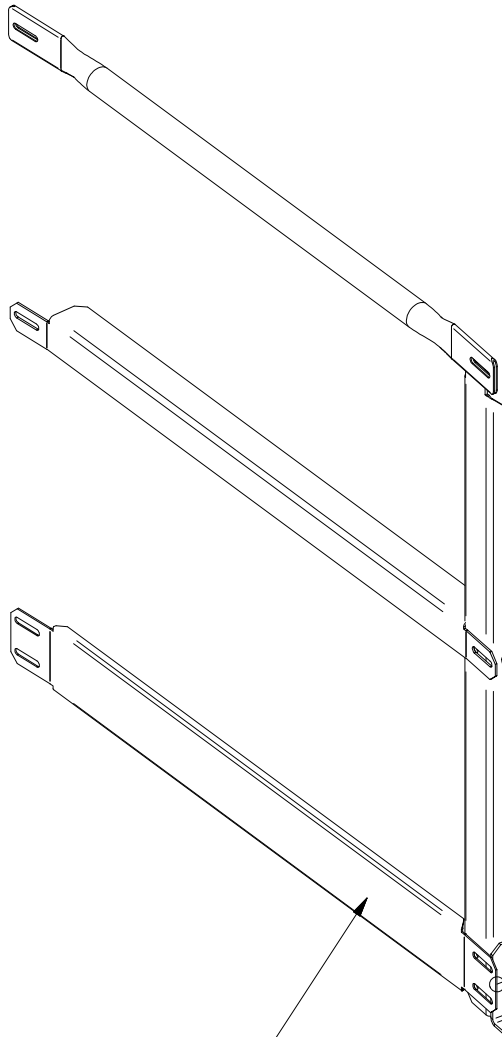
Example shown is 135' peak deck.  
Handrail lengths may vary by bin size.  
Use rail length as a guide to determine perimeter bolt spacing.



DRAWN MJA	5/31/2016	Greene Galvanized Stairs	
CHECKED			
QA		TITLE	
MFG		APH Railing Instruction	
APPROVED		SIZE A	DWG NO APH Railing
		SCALE	REV
		SHEET 1 OF 2	

APH SECTION PARTS LIST

ITEM	QTY	PART NUMBER	DESCRIPTION
1	14	APH-0001	Peak Rail Mount
2	14	APH-0002	Peak Rail Post
3*	14	APH-0003	Kickboard 90, 135, 156
4*	14	APH-0004	Mid Rail 90, 135, 156
5*	14	APH-0005	1.5" Round Handrail
*			Part may be different by peak design
6	1	FP-00012	Fastener Package



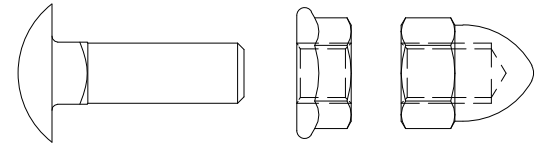
Inside

Outside

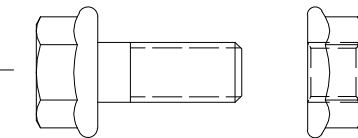
Use fastener provided by bin manufacturer intended for existing hole.

5/16-18 x 1 CB

5/16-18 ACRN NUT



5/16-18 FLG LK NUT



5/16-18 x .75 FLGCS



DRAWN	MJA	5/31/2016	Greene Galvanized Stairs	
CHECKED			TITLE	
QA			APH Railing Instruction	
MFG			SIZE	DWG NO
APPROVED			A	APH Railing
			SCALE	REV
			SHEET 2 OF 2	