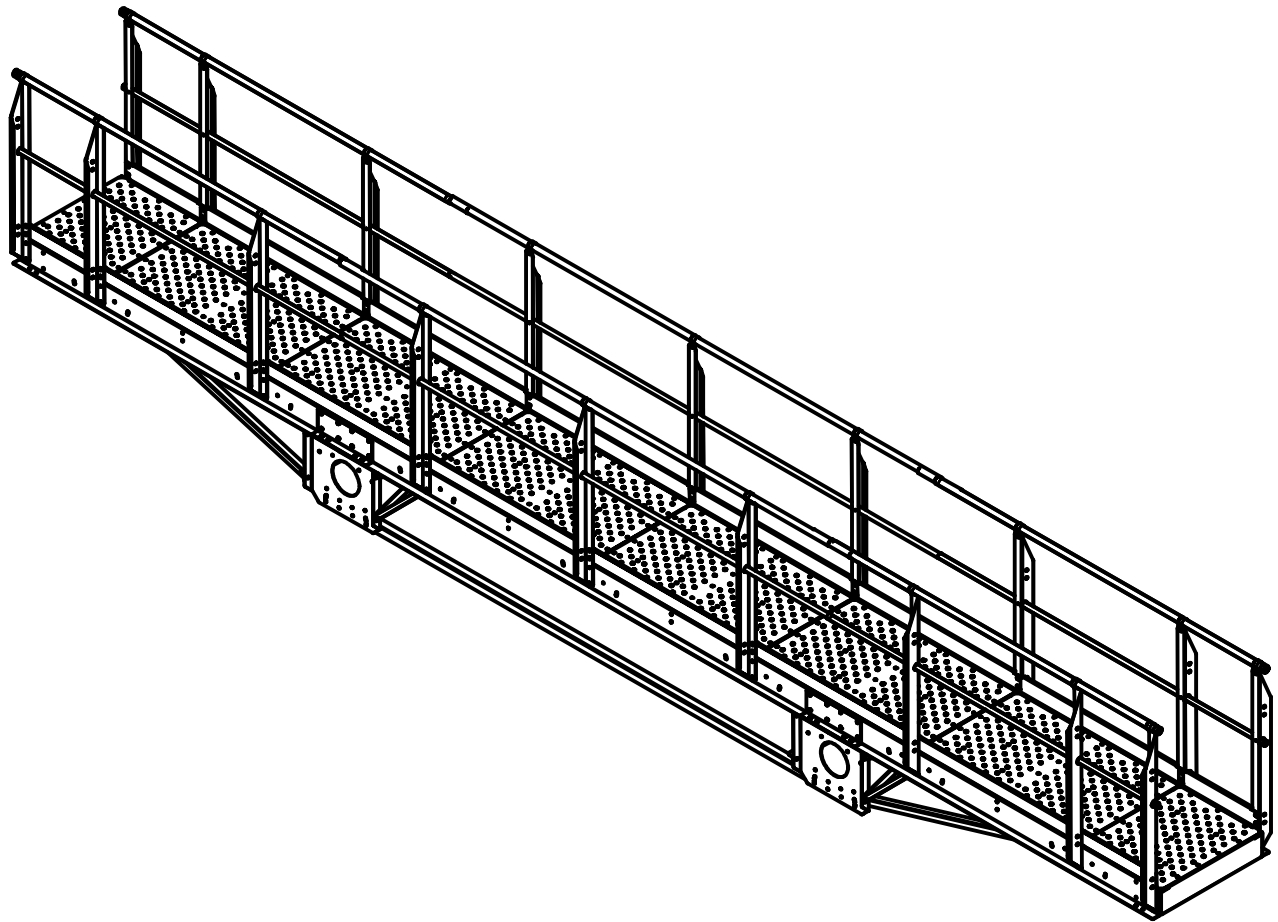


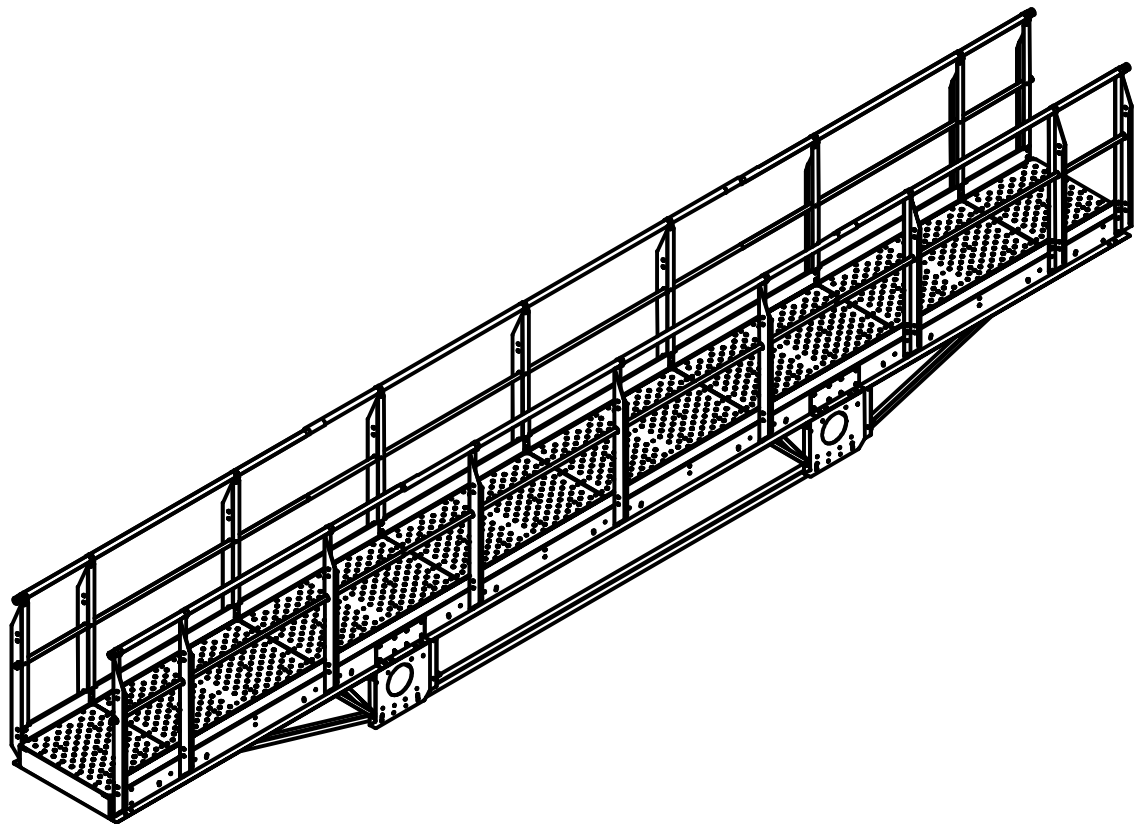
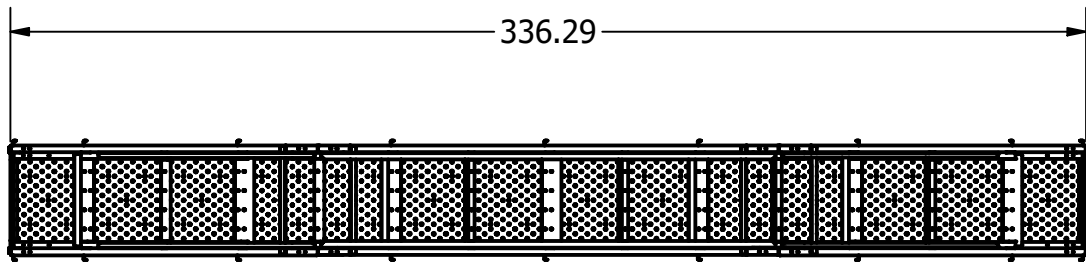
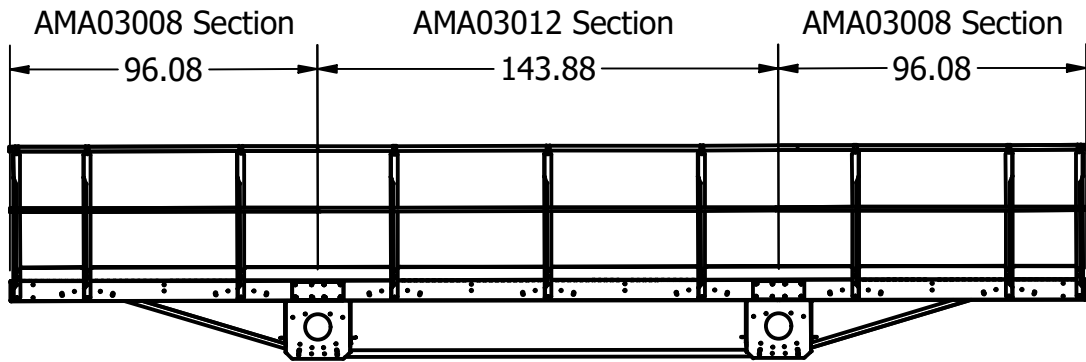
AMB03028

# Assembly Instructions



Greene Galvanized Stairs

# Master Assembly

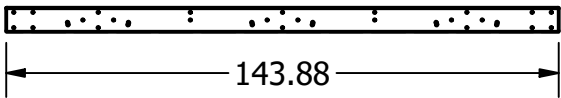


**AMB03028 Parts ID**

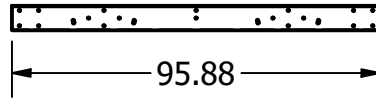
PARTS LIST			
ITEM	QTY	PART NUMBER	DESCRIPTION
1	2	AM-06144	Z Rail, 6" x 2" x 144"
2	7	AM-20002	Post Cross Support
3	4	AM-20003	Mid Cross Support
4	6	AM-64830	Deck Tread, 48" x 30"
5	4	AM-50001	Z Rail Splice Plate
6	9	AM-30002	Right Post
7	9	AM-30001	Left Post
8	18	HRC1500	Handrail Clamp for 1.5 in
9	18	Floor Screw	Floor Screw (Self Drill)
10	2	TR1515006	150 in x1.5 in Railing 6 in Swage
11	2	TR1015006	150 in 1 in dia tubing 6in swage
12	12	AM-40001	Kickboard, 48"
13	2	AM-20004	Splice Cross Support
14	2	AM-20001	End Cross Support
15	2	AM-62430	Deck Tread, 24" x 30"
16	4	AM-40002	Kickboard, 24"
17	4	AM-06096	Z Rail,6"X2"X96"
18	4	TR1009600	96 in 1 in dia tubing No Swage
19	4	TR1509600	96 in x1.5 in Railing No Swage
20	4	TR1510206	102 in x1.5 in Railing 6 in Swage
21	4	TR1010206	102 in 1 in dia tubing 6in swage
22	4	AM-50002	Truss Plate 24" x 24", 8" hole
23	8	AM-50004	Truss Plate X Brace
24	4	AM-50003	Truss Plate Cross Brace
25	2	AM-80003	Horizontal Truss Tie 12'
26	4	AM-80001	Angle, Tie Brace, 8' manwalk 70.5

**AMB03028 Parts ID**

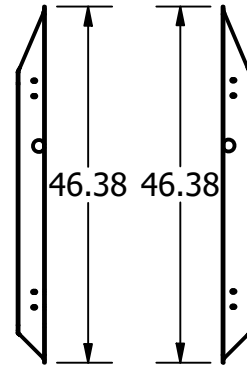
AM-06144



AM-06096



AM-30001 AM-30002

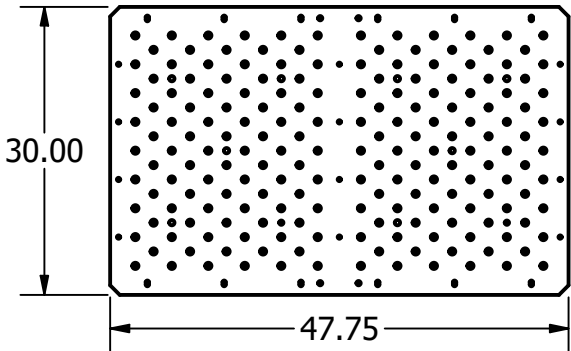


HRC1500

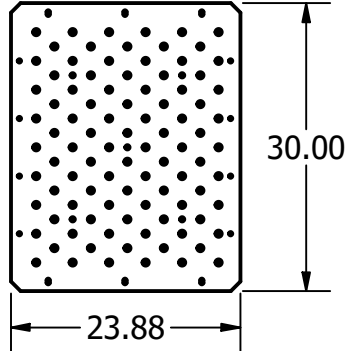


FLOOR SCREW

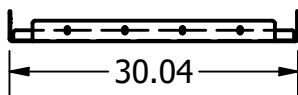
AM-64830



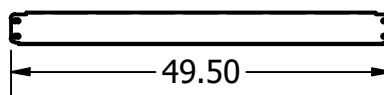
AM-62430



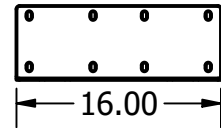
AM-20001



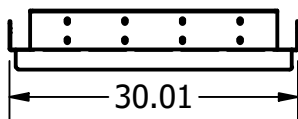
AM-40001



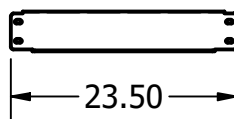
AM-50001



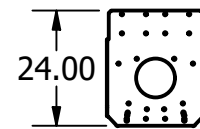
AM-20002



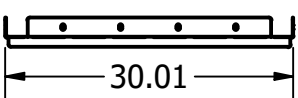
AM-40002



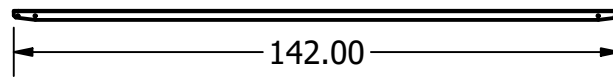
AM-50002



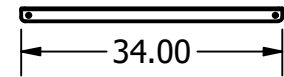
AM-20003



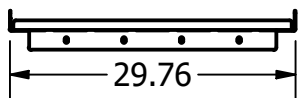
AM-80003



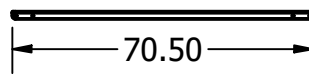
AM-50003



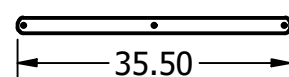
AM-20004



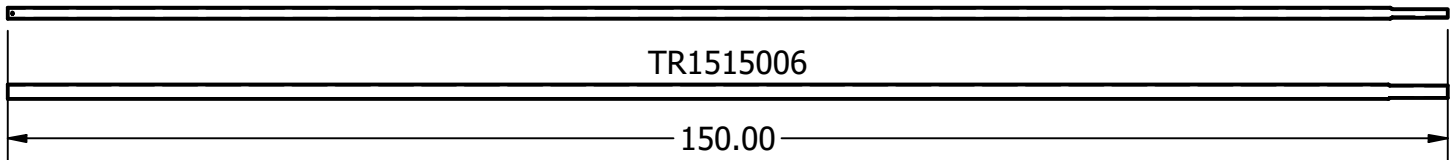
AM-80001



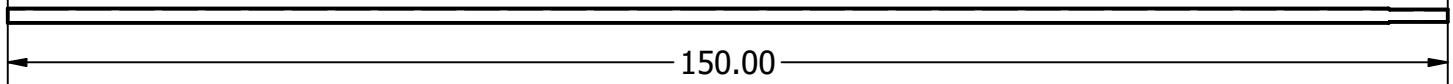
AM-50004



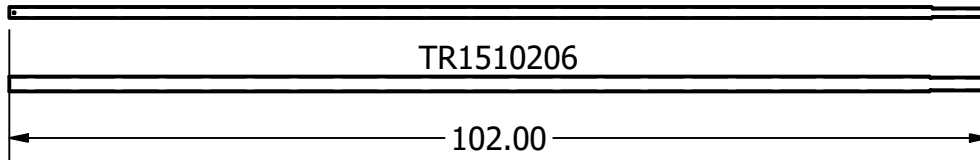
TR1015006



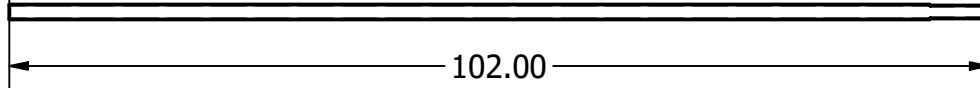
TR1515006



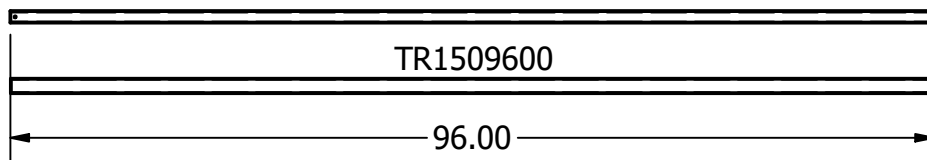
TR1010206



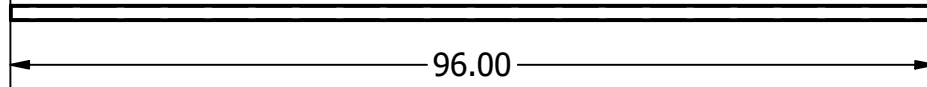
TR1510206



TR1009600



TR1509600

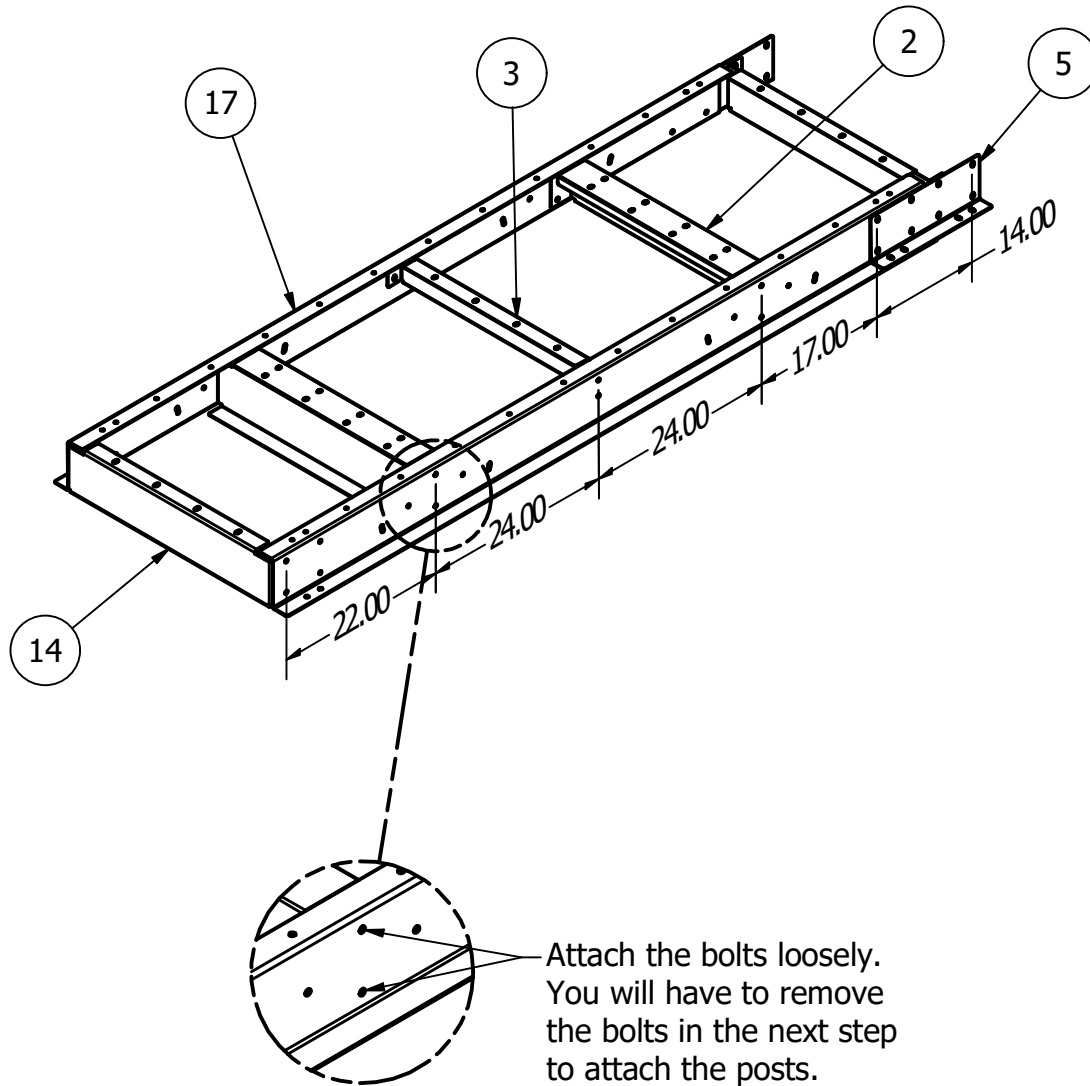


All units in inches

## Adding Cross Support to Side Rails

PARTS LIST			
ITEM	QTY	PART NUMBER	DESCRIPTION
2	7	AM-20002	Post Cross Support
3	4	AM-20003	Mid Cross Support
5	4	AM-50001	Z Rail Splice Plate
14	2	AM-20001	End Cross Support
17	4	AM-06096	Z Rail, 6"X2"X96"

### 8' Manwalk (Beginning)

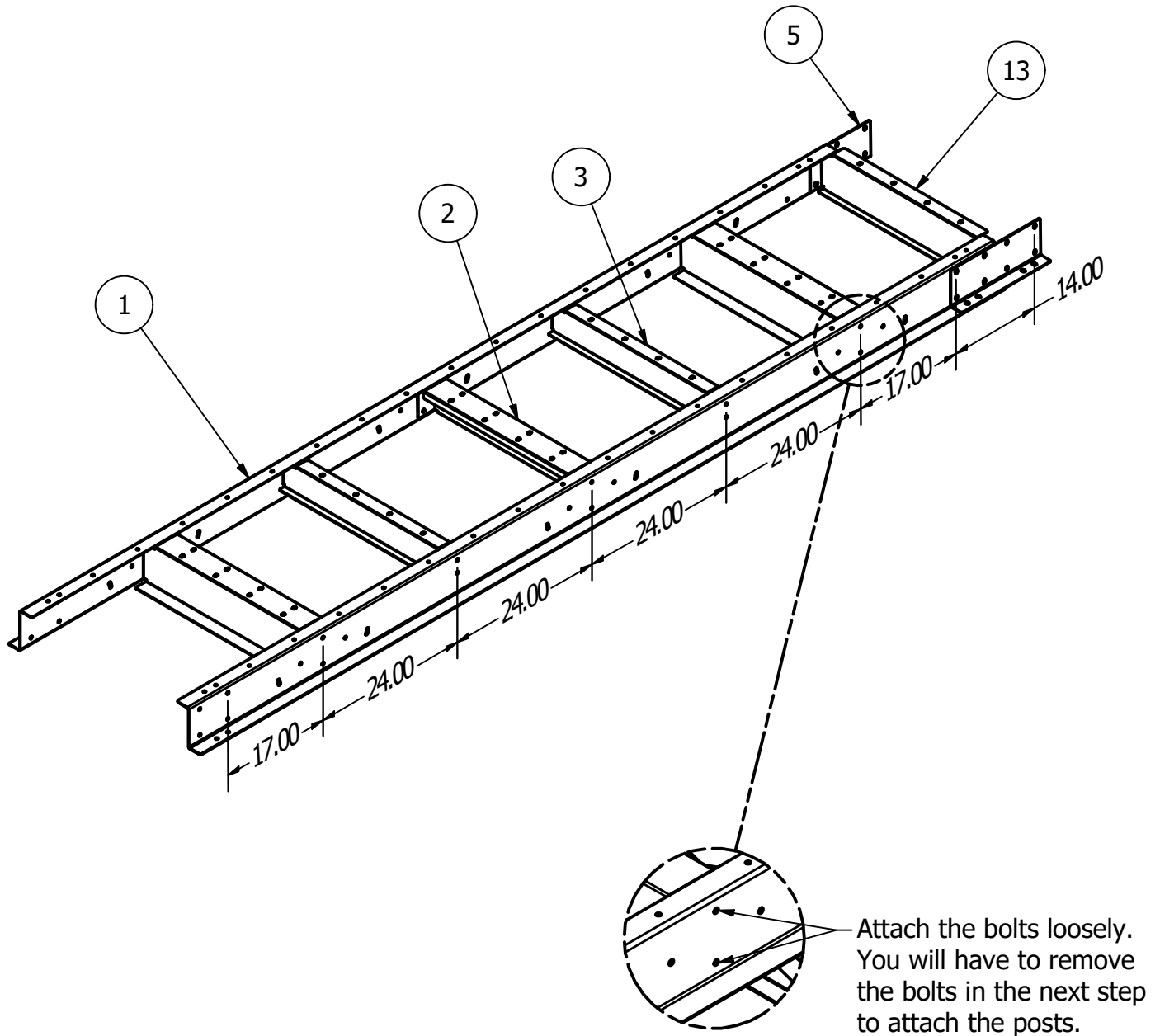


## Adding Cross Support to Side Rails

### PARTS LIST

ITEM	QTY	PART NUMBER	DESCRIPTION
1	2	AM-06144	Z Rail, 6" x 2" x 144"
2	7	AM-20002	Post Cross Support
3	4	AM-20003	Mid Cross Support
5	4	AM-50001	Z Rail Splice Plate
13	2	AM-20004	Splice Cross Support

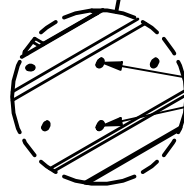
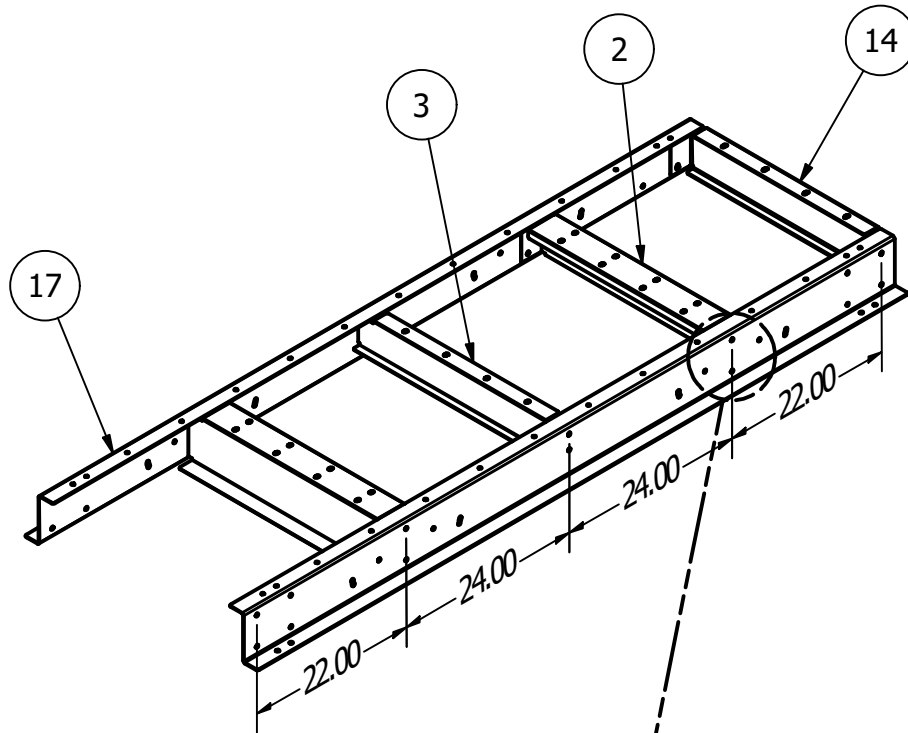
### 12' Manwalk



## Adding Cross Support to Side Rails

PARTS LIST			
ITEM	QTY	PART NUMBER	DESCRIPTION
2	7	AM-20002	Post Cross Support
3	4	AM-20003	Mid Cross Support
14	2	AM-20001	End Cross Support
17	4	AM-06096	Z Rail, 6"X2"X96"

### 8' Manwalk (End)

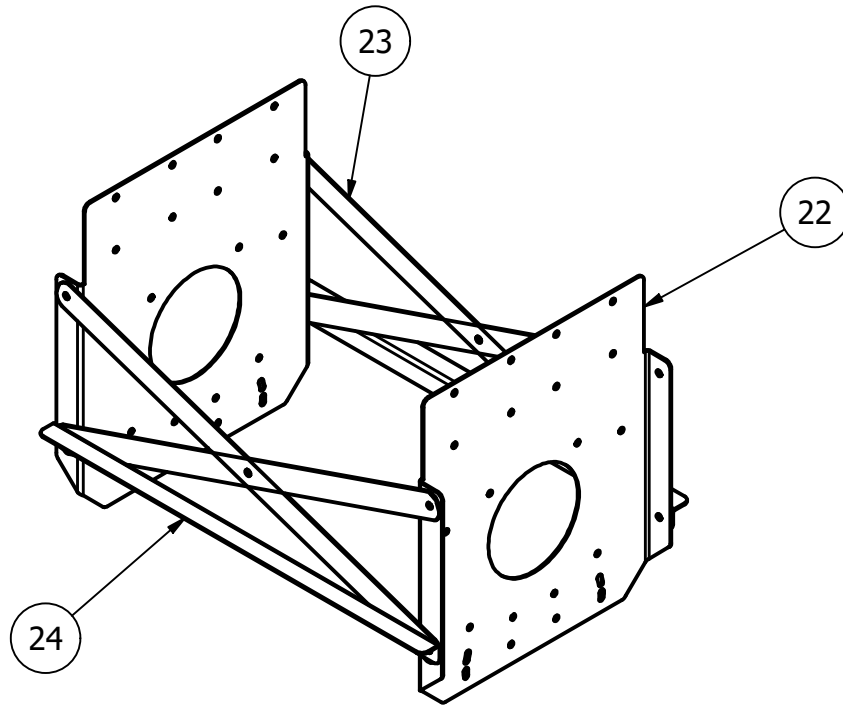
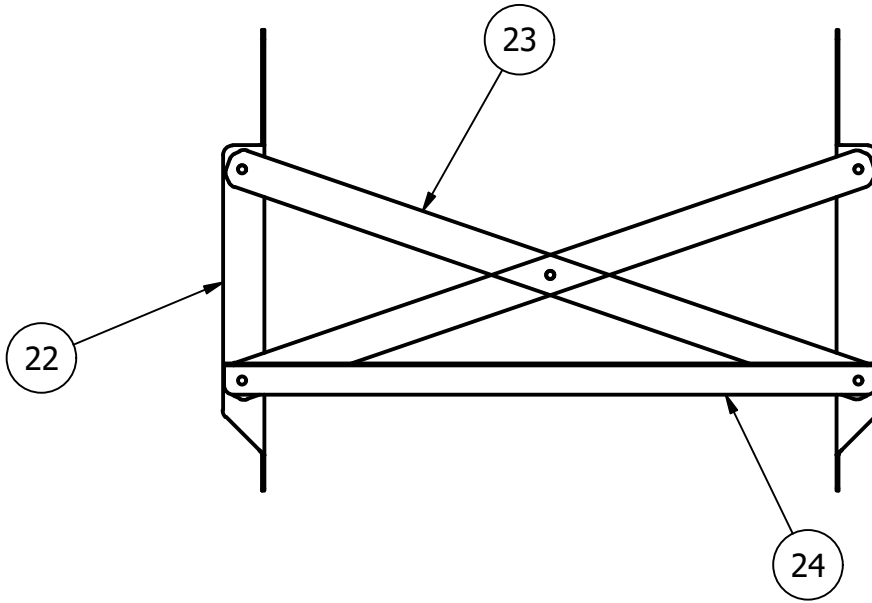


Attach the bolts loosely. You will have to remove the bolts in the next step to attach the posts.

## Adding Truss Bracing

### PARTS LIST

ITEM	QTY	PART NUMBER	DESCRIPTION
22	4	AM-50002	Truss Plate 24" x 24", 8" hole
23	8	AM-50004	Truss Plate X Brace
24	4	AM-50003	Truss Plate Cross Brace



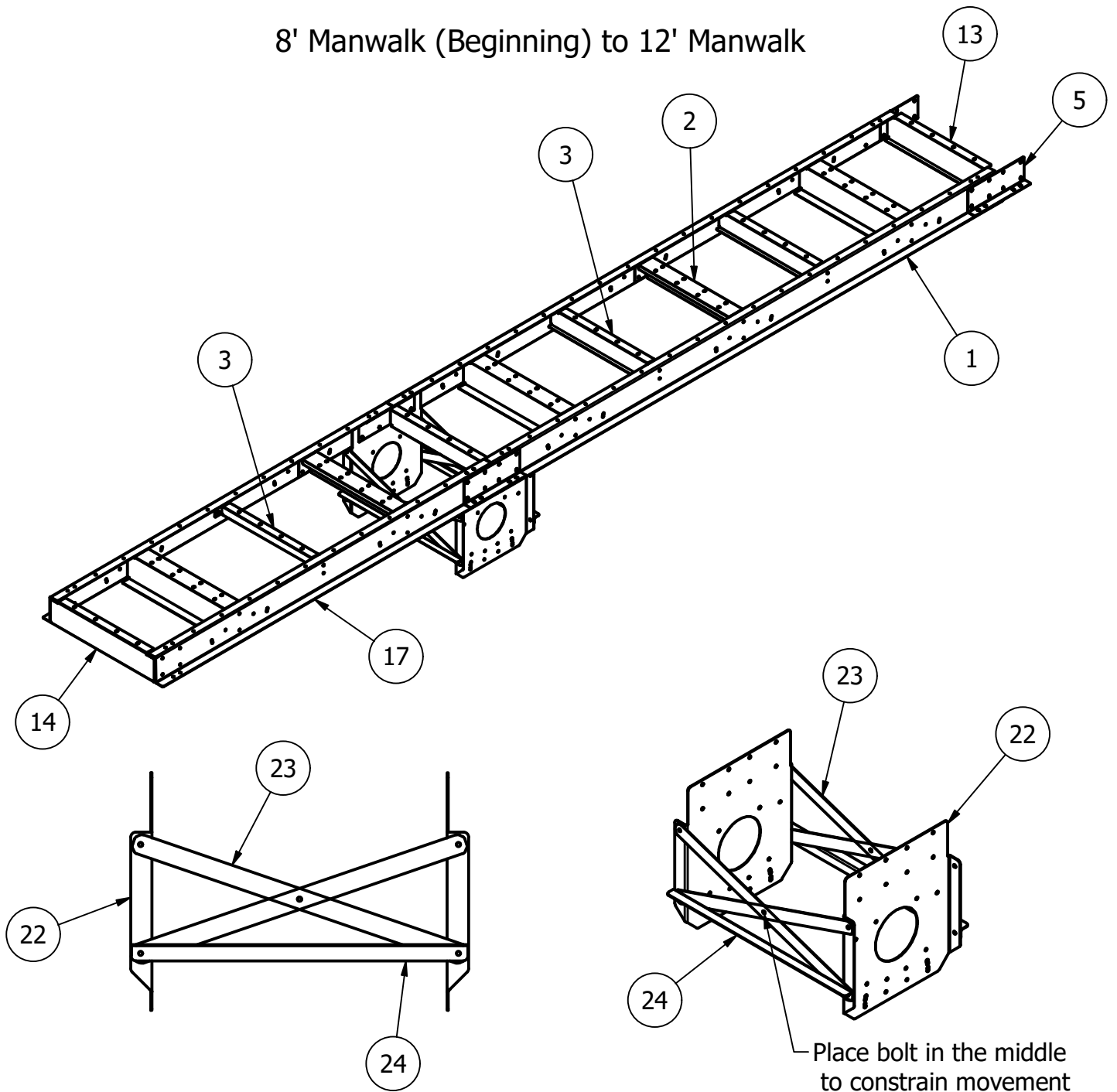


## Adding Bracing to Side Rails

### PARTS LIST

ITEM	QTY	PART NUMBER	DESCRIPTION
1	2	AM-06144	Z Rail, 6" x 2" x 144"
2	7	AM-20002	Post Cross Support
3	4	AM-20003	Mid Cross Support
5	4	AM-50001	Z Rail Splice Plate
13	2	AM-20004	Splice Cross Support
14	2	AM-20001	End Cross Support
17	4	AM-06096	Z Rail, 6" X2" X96"
22	4	AM-50002	Truss Plate 24" x 24", 8" hole
23	8	AM-50004	Truss Plate X Brace
24	4	AM-50003	Truss Plate Cross Brace

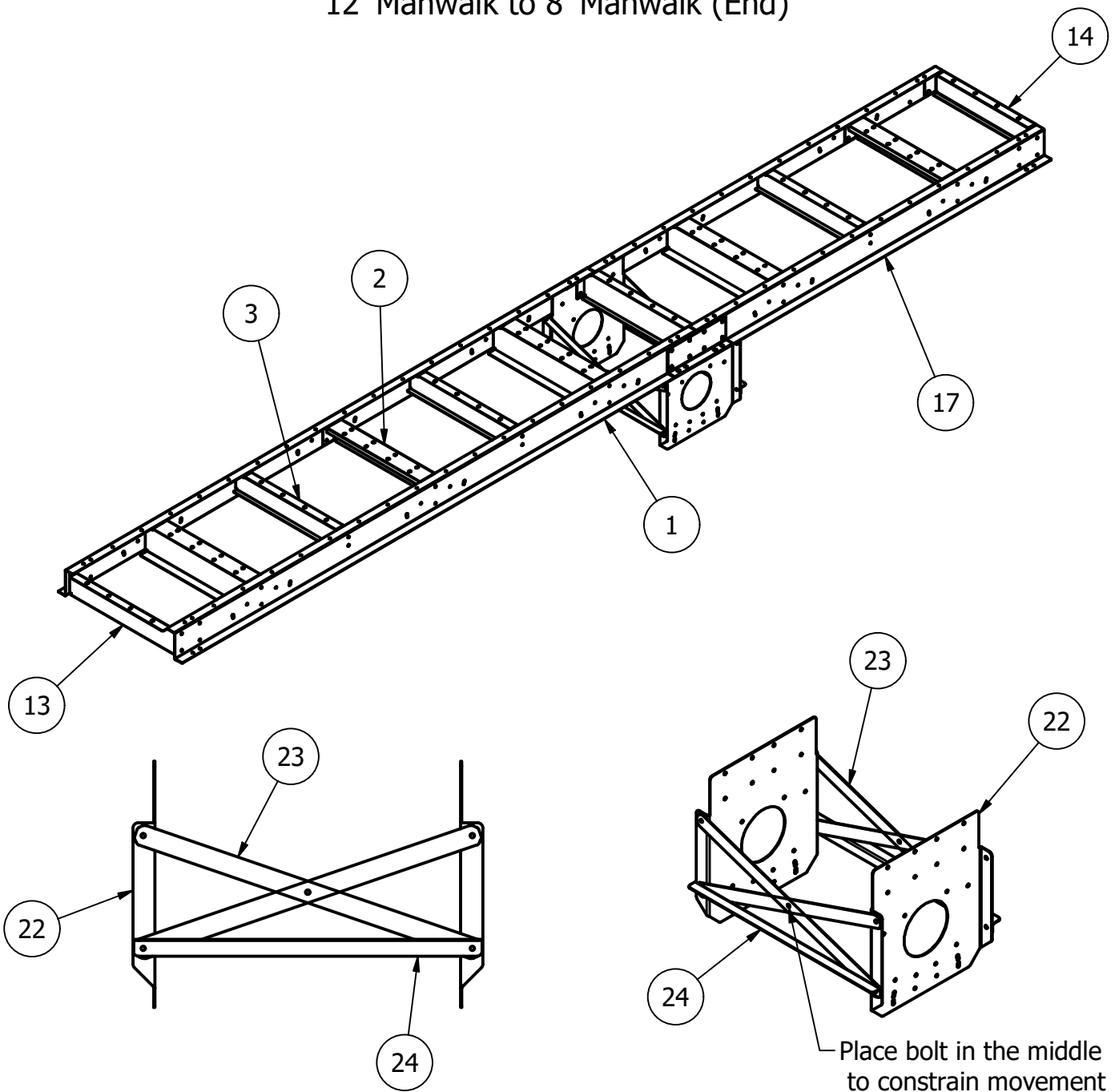
### 8' Manwalk (Beginning) to 12' Manwalk



## Adding Bracing to Side Rails

PARTS LIST			
ITEM	QTY	PART NUMBER	DESCRIPTION
1	2	AM-06144	Z Rail, 6" x 2" x 144"
2	7	AM-20002	Post Cross Support
3	4	AM-20003	Mid Cross Support
5	4	AM-50001	Z Rail Splice Plate
13	2	AM-20004	Splice Cross Support
14	2	AM-20001	End Cross Support
17	4	AM-06096	Z Rail, 6" X2" X96"
22	4	AM-50002	Truss Plate 24" x 24", 8" hole
23	8	AM-50004	Truss Plate X Brace
24	4	AM-50003	Truss Plate Cross Brace

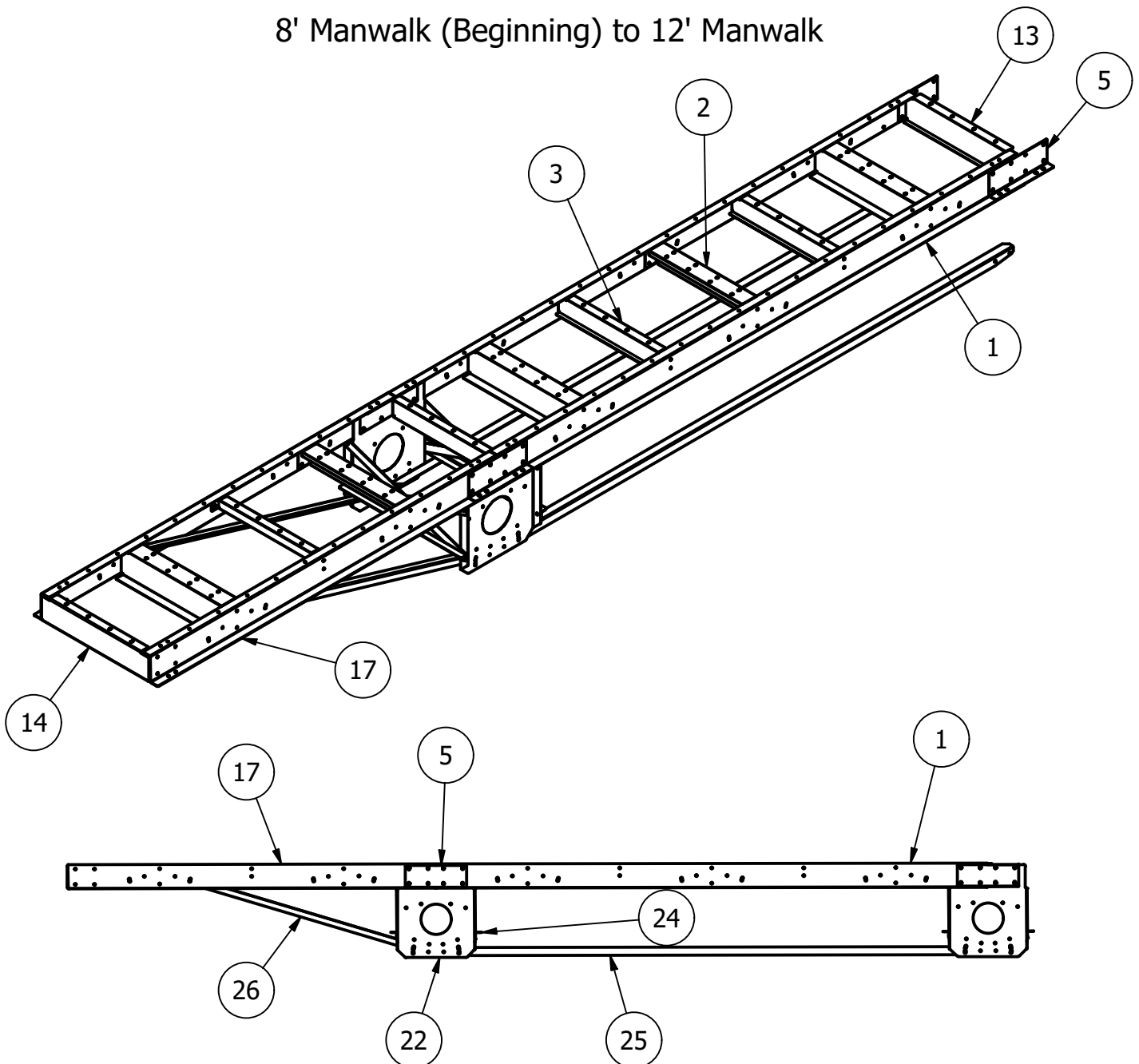
### 12' Manwalk to 8' Manwalk (End)



## Adding Bracing to Side Rails

PARTS LIST			
ITEM	QTY	PART NUMBER	DESCRIPTION
1	2	AM-06144	Z Rail, 6" x 2" x 144"
2	7	AM-20002	Post Cross Support
3	4	AM-20003	Mid Cross Support
5	4	AM-50001	Z Rail Splice Plate
13	2	AM-20004	Splice Cross Support
14	2	AM-20001	End Cross Support
17	4	AM-06096	Z Rail, 6" X2" X96"
22	4	AM-50002	Truss Plate 24" x 24", 8" hole
23	8	AM-50004	Truss Plate X Brace
24	4	AM-50003	Truss Plate Cross Brace
25	2	AM-80003	Horizontal Truss Tie 12'
26	4	AM-80001	Angle, Tie Brace, 8' manwalk 70.5

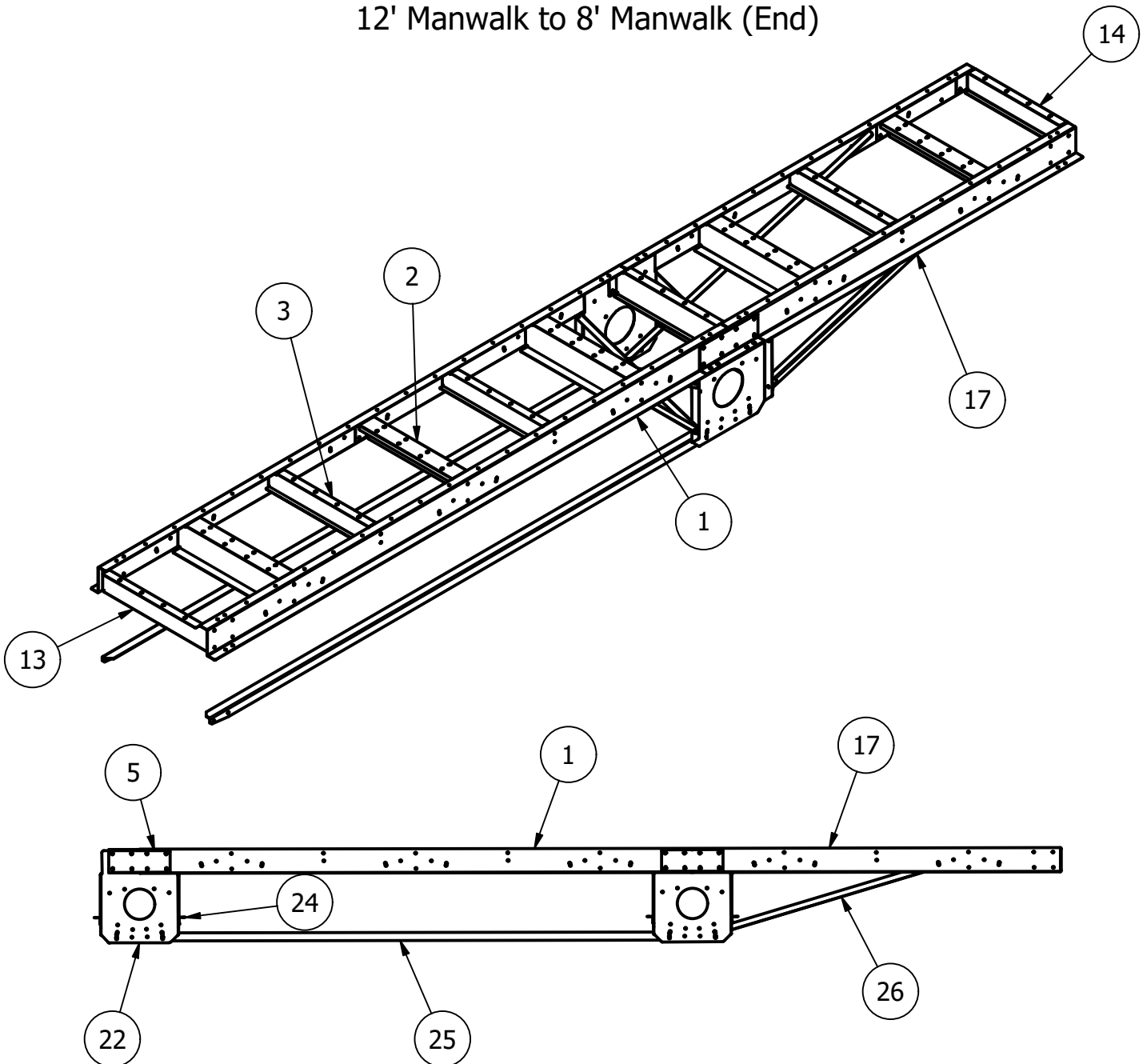
### 8' Manwalk (Beginning) to 12' Manwalk



## Adding Bracing to Side Rails

PARTS LIST			
ITEM	QTY	PART NUMBER	DESCRIPTION
1	2	AM-06144	Z Rail, 6" x 2" x 144"
2	7	AM-20002	Post Cross Support
3	4	AM-20003	Mid Cross Support
5	4	AM-50001	Z Rail Splice Plate
13	2	AM-20004	Splice Cross Support
14	2	AM-20001	End Cross Support
17	4	AM-06096	Z Rail, 6" X2" X96"
22	4	AM-50002	Truss Plate 24" x 24", 8" hole
23	8	AM-50004	Truss Plate X Brace
24	4	AM-50003	Truss Plate Cross Brace
25	2	AM-80003	Horizontal Truss Tie 12'
26	4	AM-80001	Angle, Tie Brace, 8' manwalk 70.5

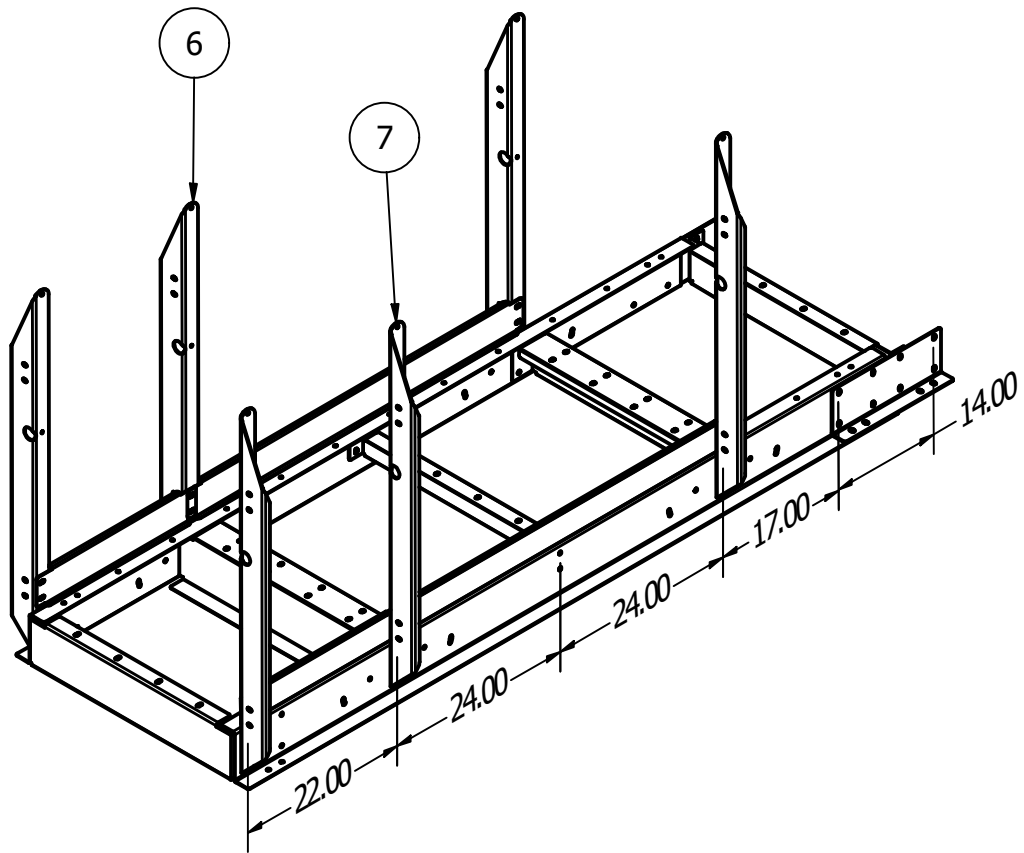
### 12' Manwalk to 8' Manwalk (End)



## Adding Left and Right Posts

PARTS LIST			
ITEM	QTY	PART NUMBER	DESCRIPTION
6	9	AM-30002	Right Post
7	9	AM-30001	Left Post

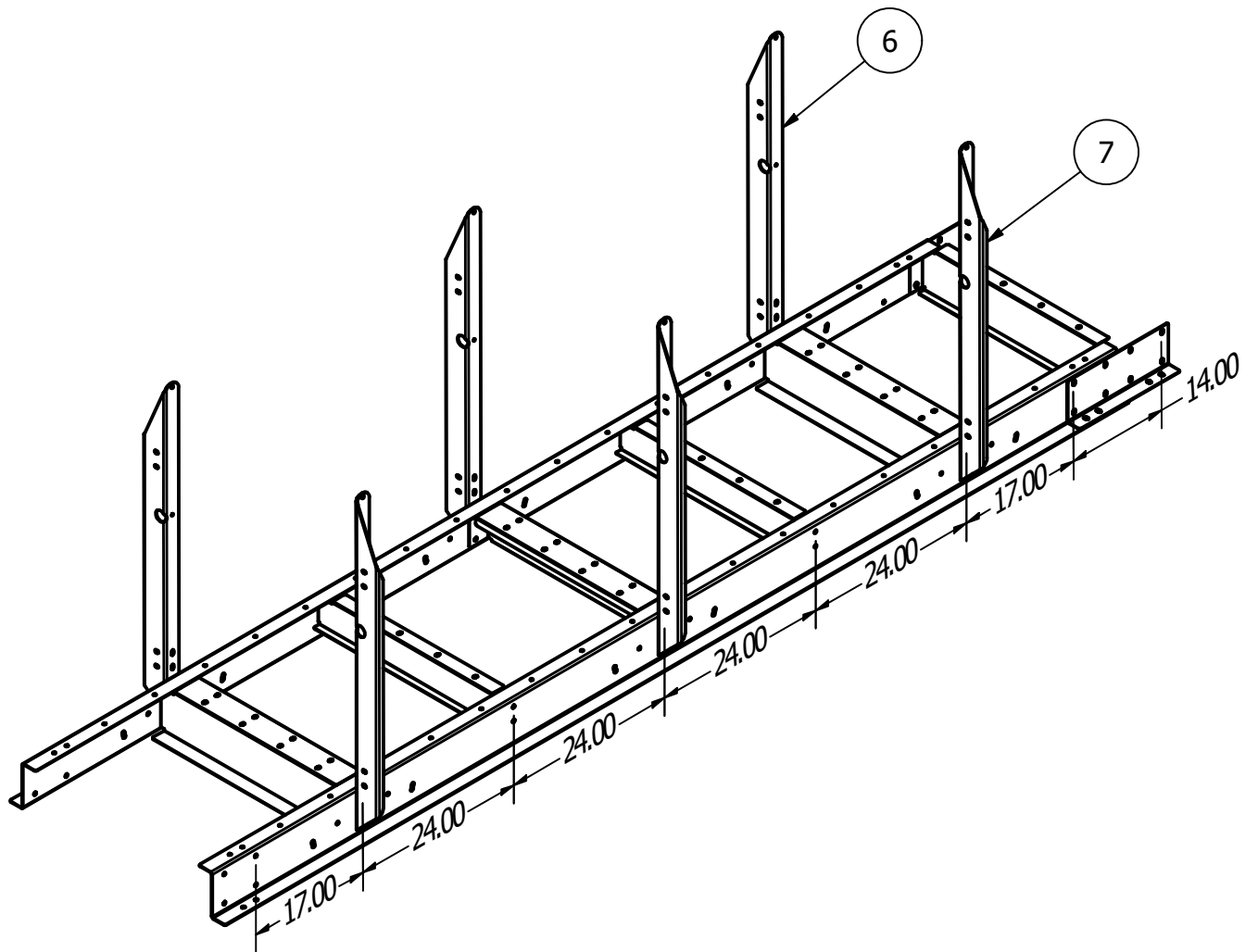
### 8' Manwalk (Beginning)



# Adding Left and Right Posts

PARTS LIST			
ITEM	QTY	PART NUMBER	DESCRIPTION
6	9	AM-30002	Right Post
7	9	AM-30001	Left Post

12' Manwalk

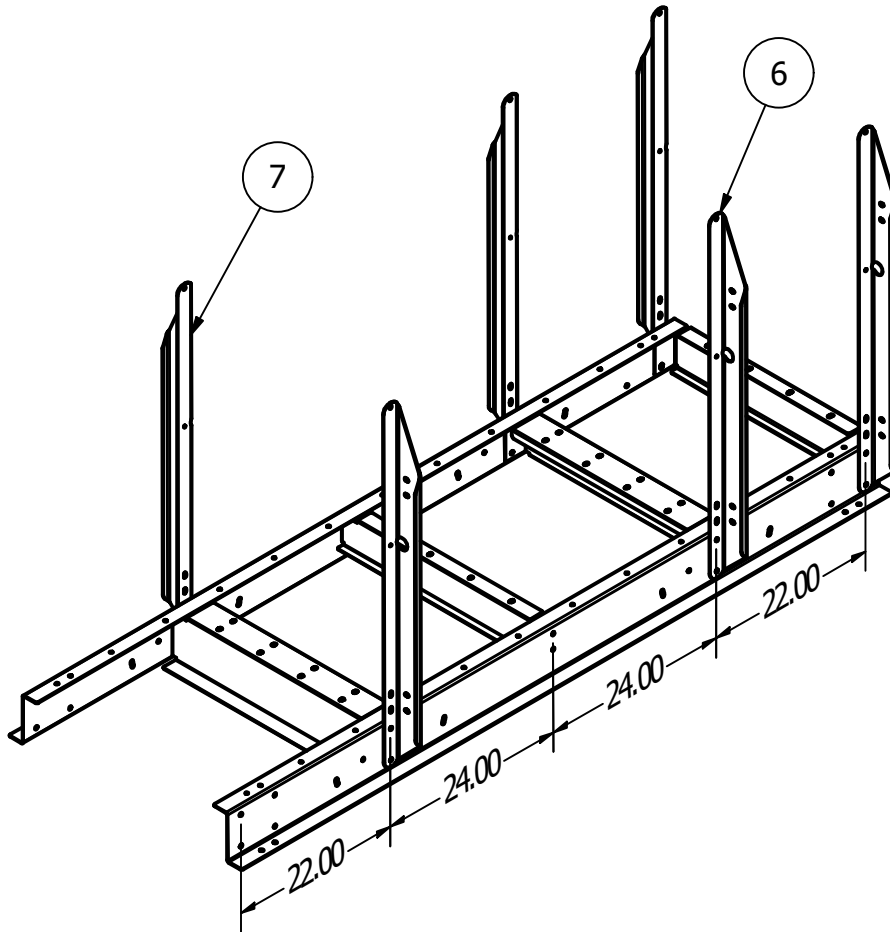


## Adding Left and Right Posts

### PARTS LIST

ITEM	QTY	PART NUMBER	DESCRIPTION
6	9	AM-30002	Right Post
7	9	AM-30001	Left Post

8' Manwalk (End)

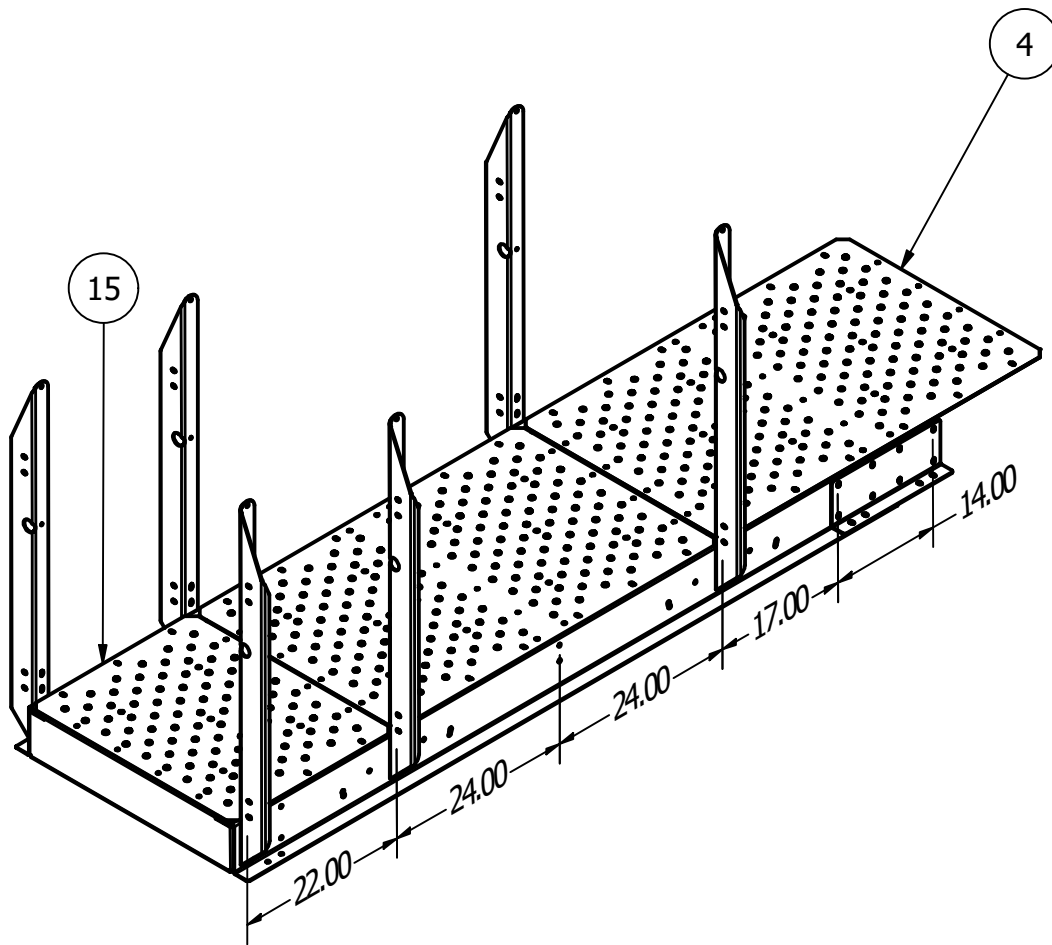


# Adding Decks

## PARTS LIST

ITEM	QTY	PART NUMBER	DESCRIPTION
4	6	AM-64830	Deck Tread, 48" x 30"
15	2	AM-62430	Deck Tread, 24" x 30"

### 8' Manwalk (Beginning)



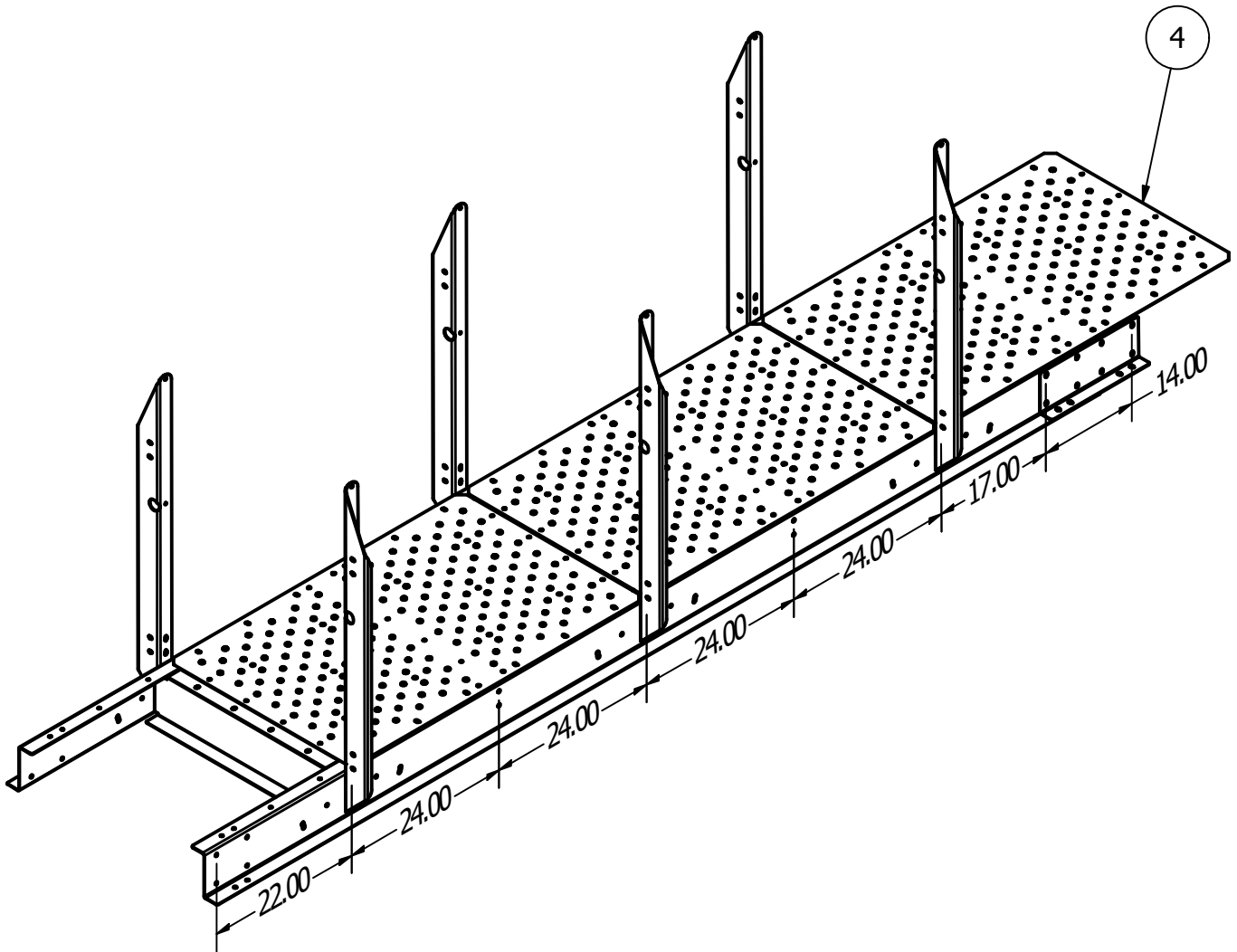


# Adding Decks

## PARTS LIST

ITEM	QTY	PART NUMBER	DESCRIPTION
4	6	AM-64830	Deck Tread, 48" x 30"

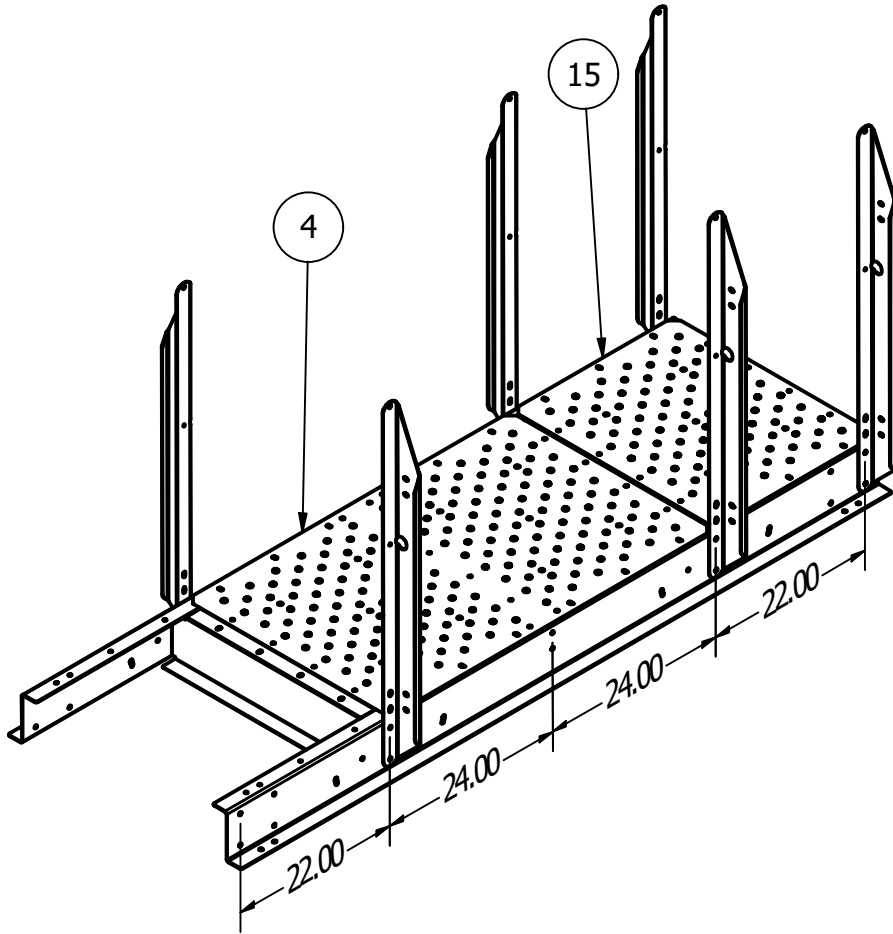
12' Manwalk



# Adding Decks

PARTS LIST			
ITEM	QTY	PART NUMBER	DESCRIPTION
4	6	AM-64830	Deck Tread, 48" x 30"
15	2	AM-62430	Deck Tread, 24" x 30"

8' Manwalk (End)

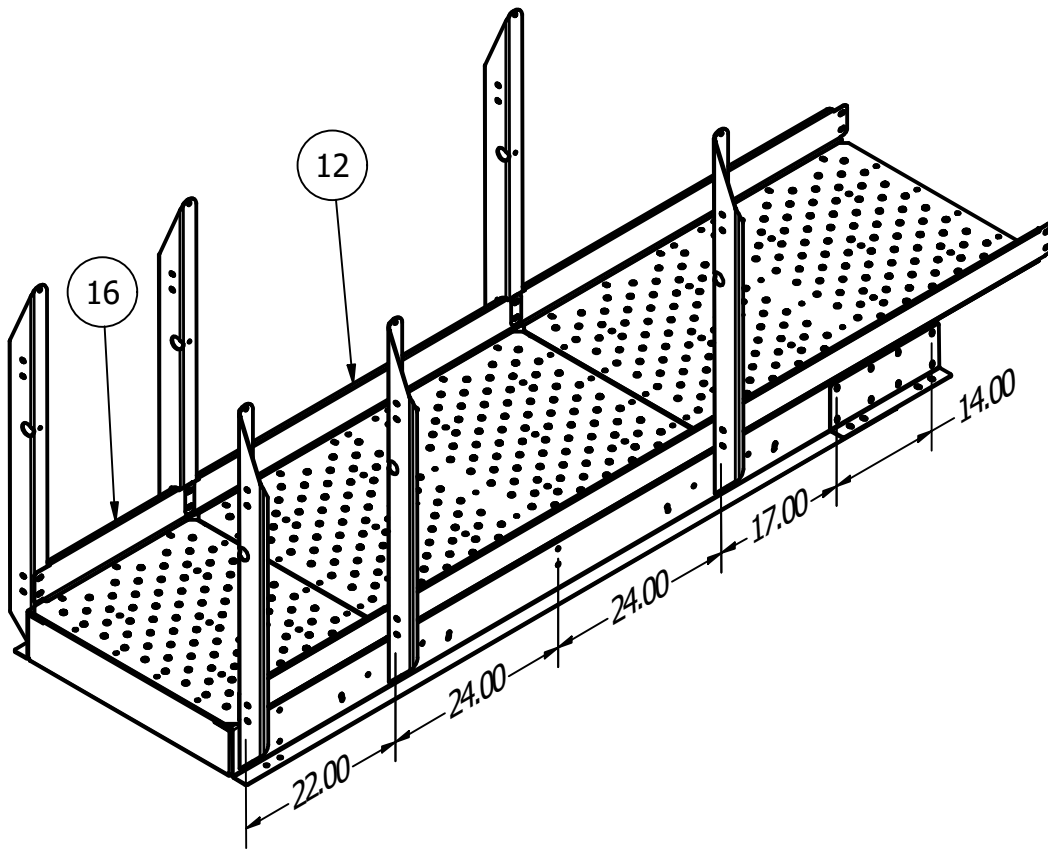


# Adding Kickboards

## PARTS LIST

ITEM	QTY	PART NUMBER	DESCRIPTION
12	12	AM-40001	Kickboard, 48"
16	4	AM-40002	Kickboard, 24"

### 8' Manwalk (Beginning)

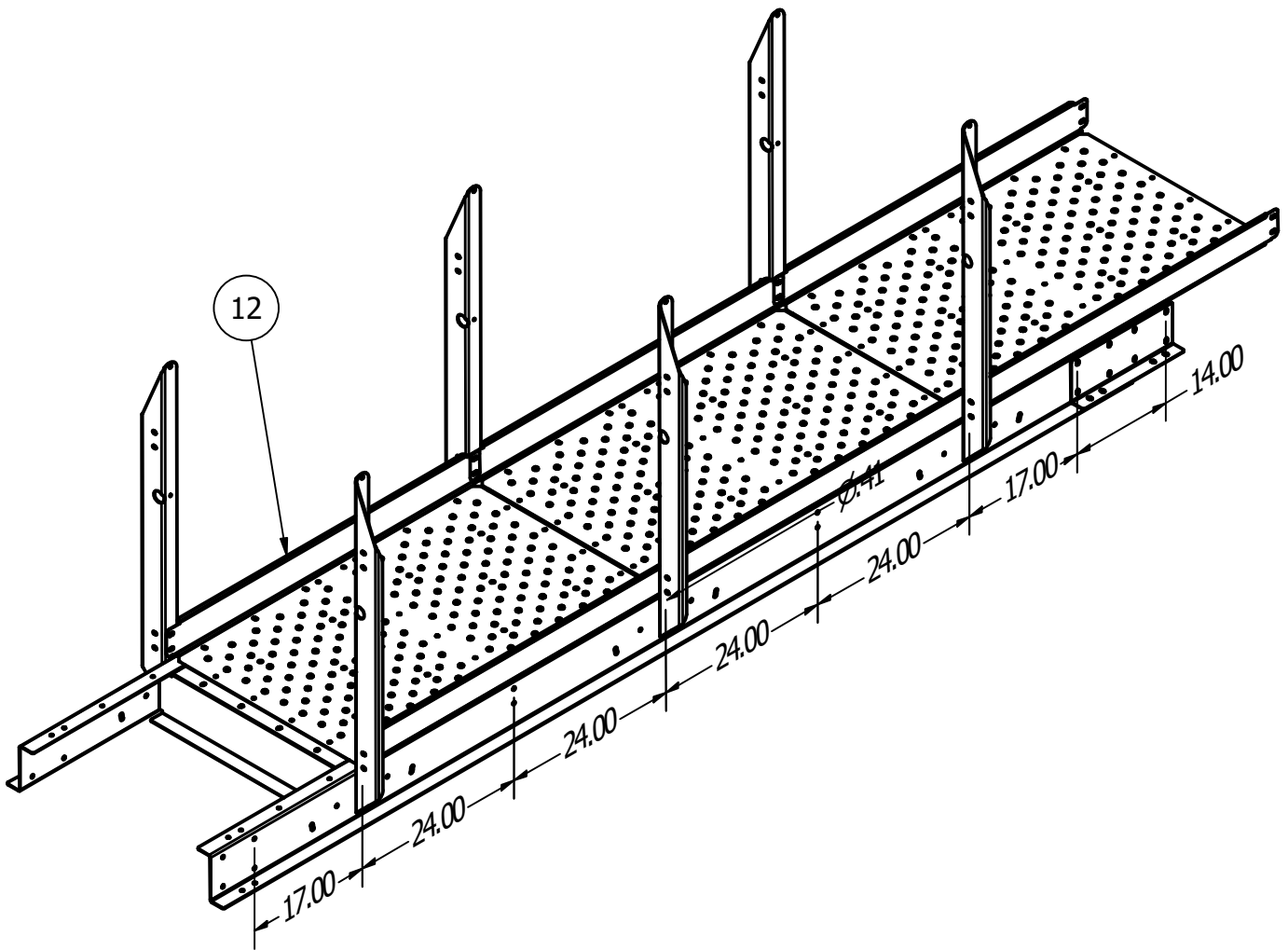


# Adding Kickboards

## PARTS LIST

ITEM	QTY	PART NUMBER	DESCRIPTION
12	12	AM-40001	Kickboard, 48"

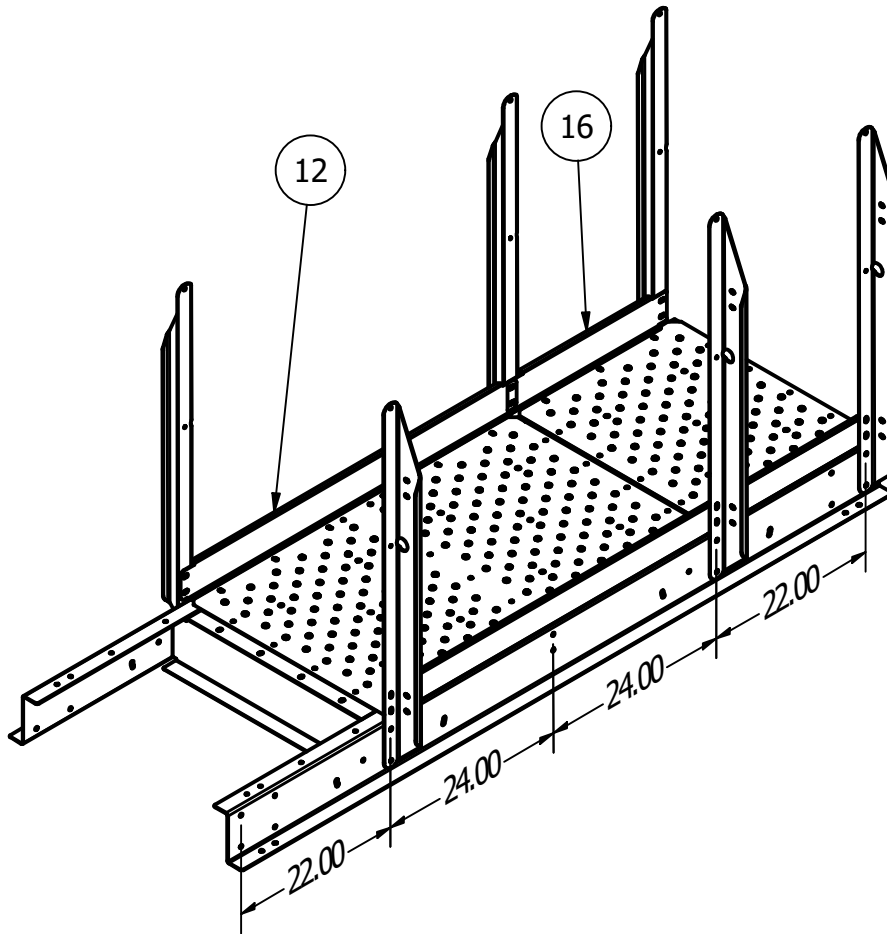
12' Manwalk



## Adding Kickboards

PARTS LIST			
ITEM	QTY	PART NUMBER	DESCRIPTION
12	12	AM-40001	Kickboard, 48"
16	4	AM-40002	Kickboard, 24"

8' Manwalk (End)

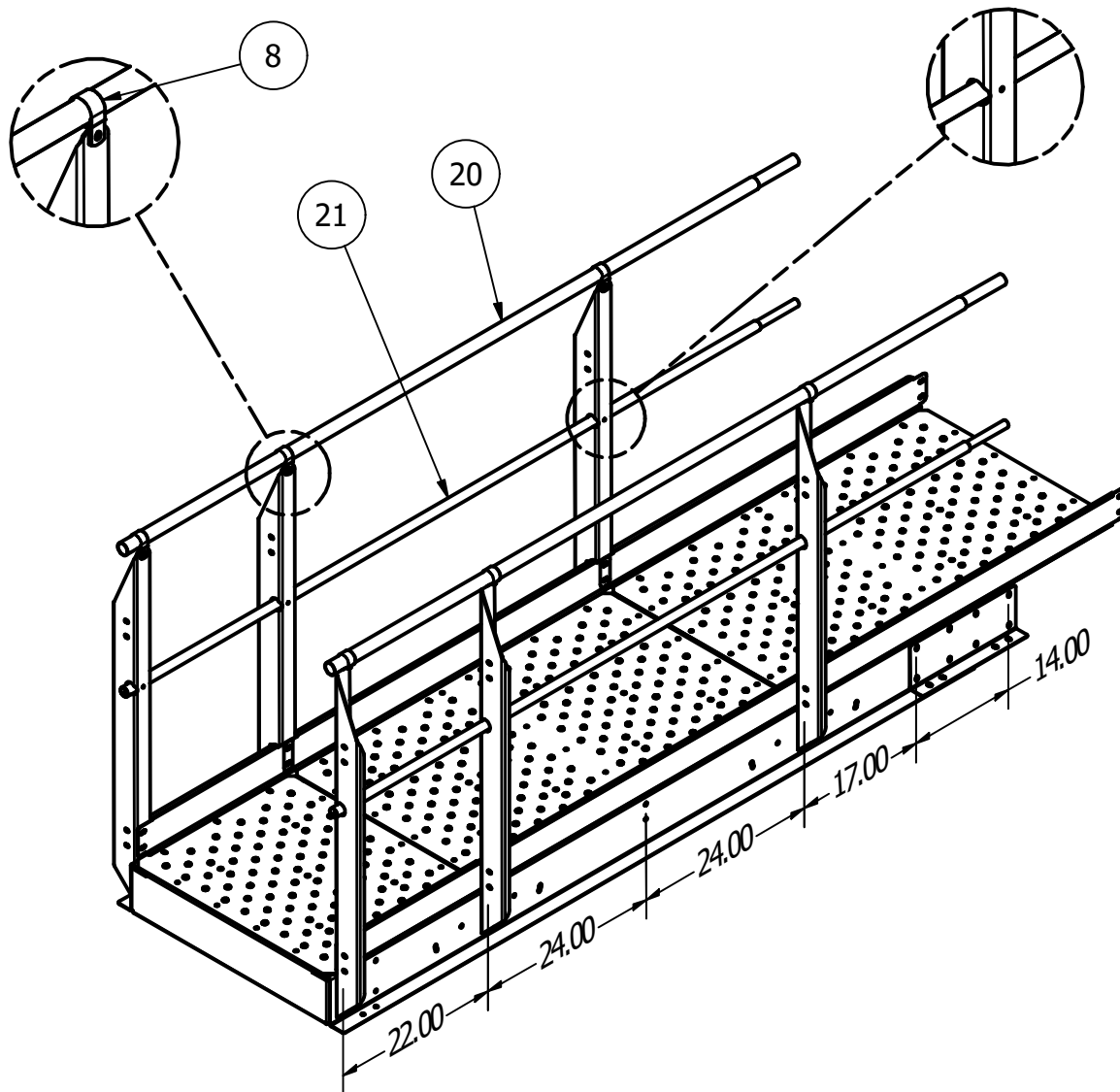


# Adding Handrails and Guardrails

## PARTS LIST

ITEM	QTY	PART NUMBER	DESCRIPTION
8	18	HRC1500	Handrail Clamp for 1.5 in
20	4	TR1510206	102 in x1.5 in Railing 6 in Swage
21	4	TR1010206	102 in 1 in dia tubing 6in swage

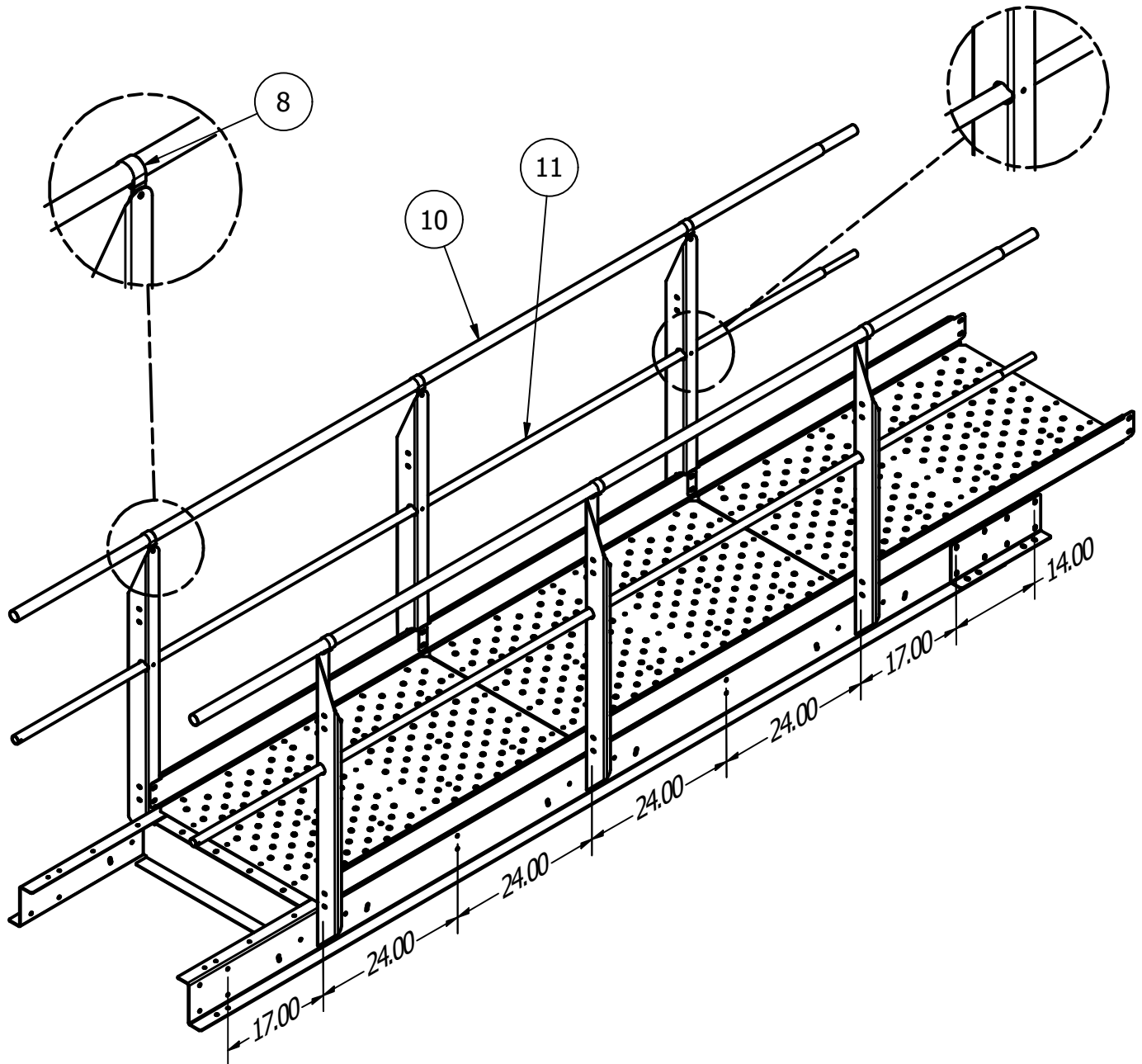
8' Manwalk (Beginning)



# Adding Handrails and Guardrails

PARTS LIST			
ITEM	QTY	PART NUMBER	DESCRIPTION
8	18	HRC1500	Handrail Clamp for 1.5 in
10	2	TR1515006	150 in x1.5 in Railing 6 in Swage
11	2	TR1015006	150 in 1 in dia tubing 6in swage

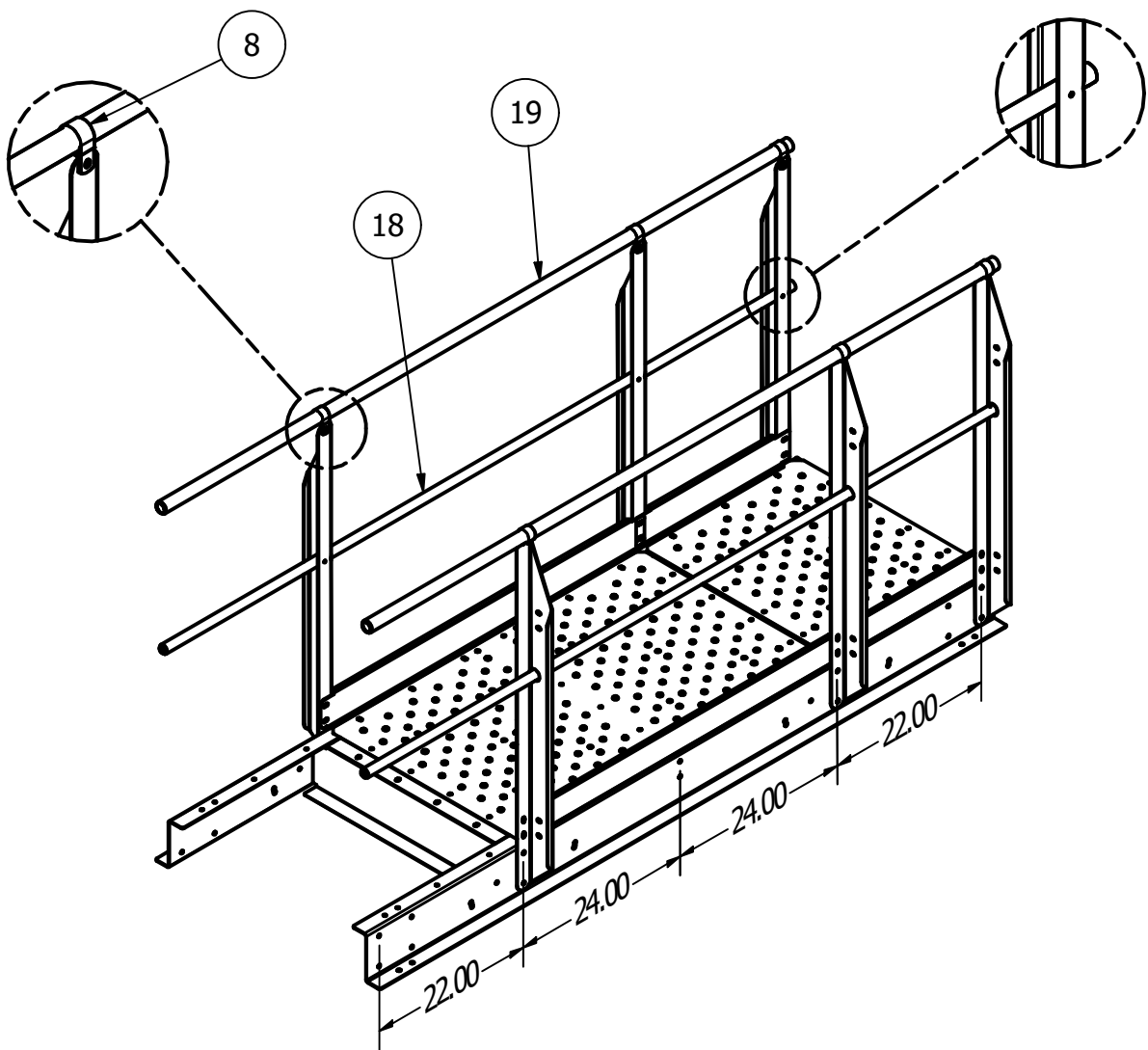
12' Manwalk



# Adding Handrails and Guardrails

PARTS LIST			
ITEM	QTY	PART NUMBER	DESCRIPTION
8	18	HRC1500	Handrail Clamp for 1.5 in
18	4	TR1009600	96 in 1 in dia tubing No Swage
19	4	TR1509600	96 in x1.5 in Railing No Swage

8' Manwalk (End)





# General Dimensions

