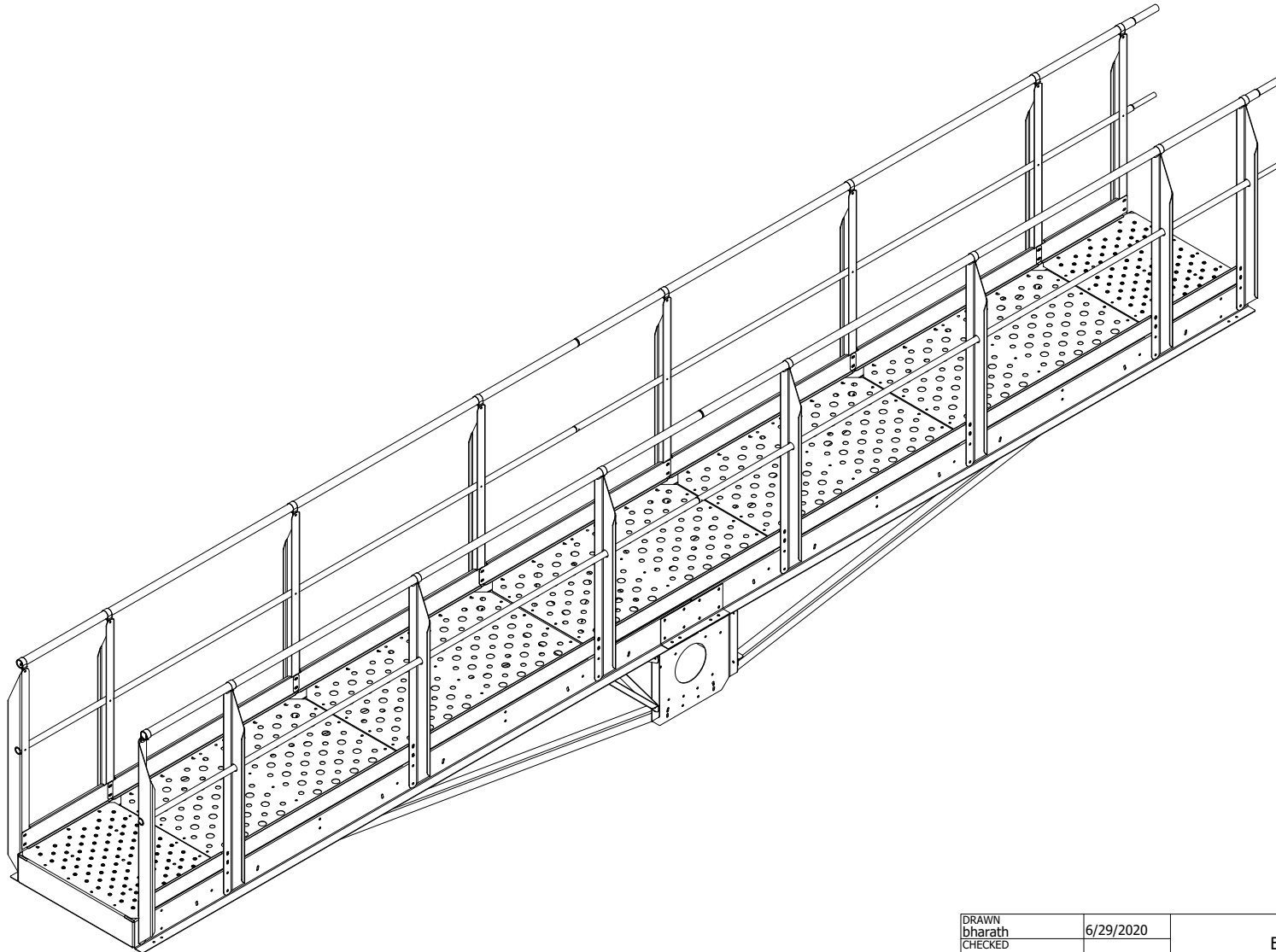


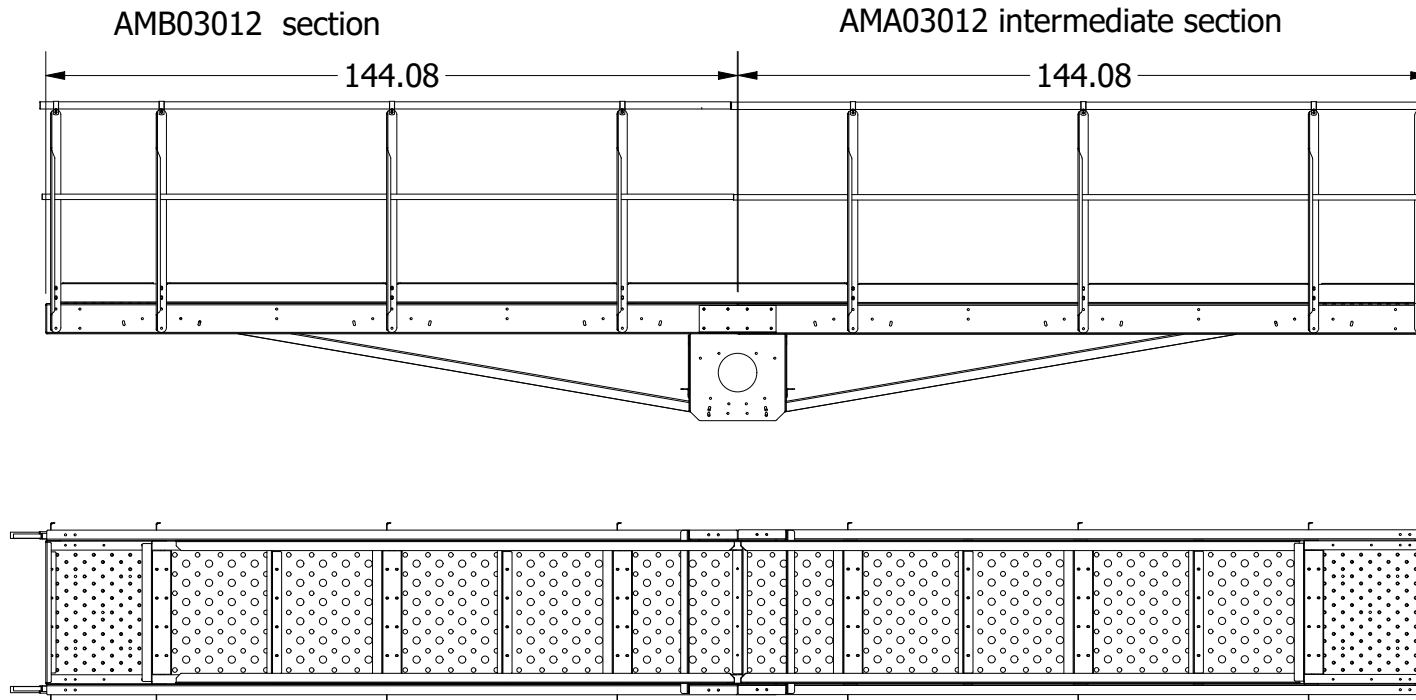
# 24 ft manwalk - trussed



DRAWN bharath	6/29/2020	Greene Galvanized Stairs East Lynn, IL 217.375.4244 www.greenebinstairs.com	
CHECKED		TITLE	
QA			
MFG			
APPROVED			
		SIZE A	DWG NO. AMB03024 (AS BUILT)
		SCALE 1 / 30	REV new
		SHEET 1 OF 15	

# MASTER ASSEMBLY

PARTS LIST			
ITEM	QTY	PART NUMBER	DESCRIPTION
1	1	AMA03012	12ft intermediate manwalk section
2	1	AMB03012	12ft base manwalk section
3	1	ASeries manwalk 2 section truss	24ft truss kit

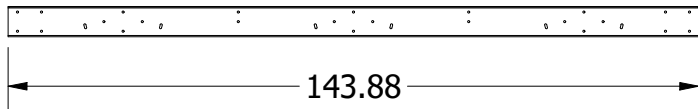


DRAWN bharath	6/29/2020	Greene Galvanized Stairs East Lynn, IL 217.375.4244 www.greenebinstairs.com	
CHECKED		TITLE	
QA			
MFG			
APPROVED			
		SIZE A	DWG NO. AMB03024 (AS BUILT)
		SCALE 1 / 40	REV 15
		SHEET 2	OF 15

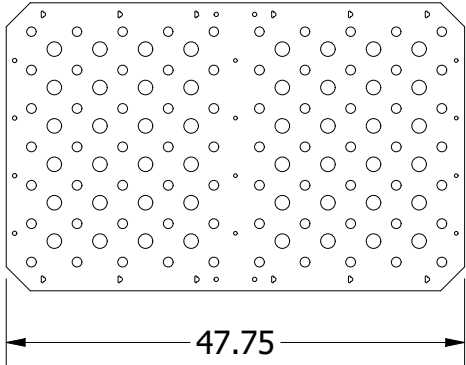
new

# Parts break down AMA03012

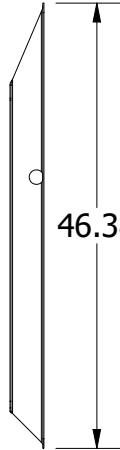
AM-06144



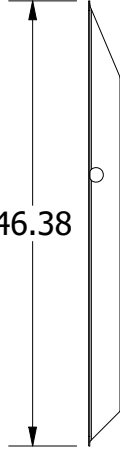
AM-64830



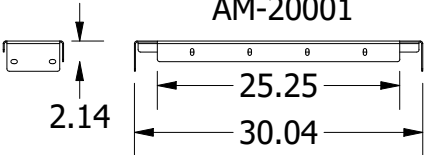
AM-30001



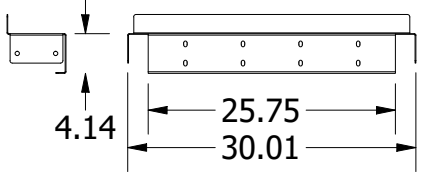
AM-30002



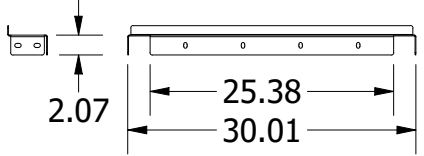
AM-20001



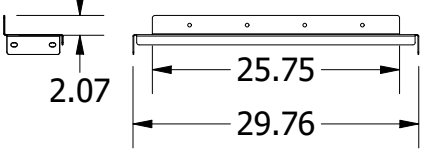
AM-20002



AM-20003

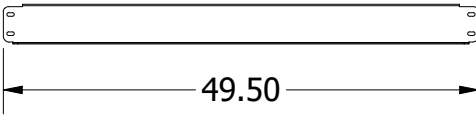


AM-20004

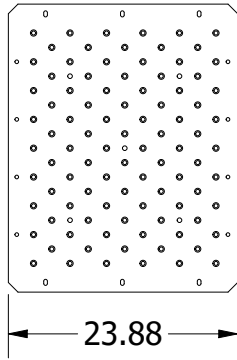


All connections use 3/8 hardware except tread plate 5/16.

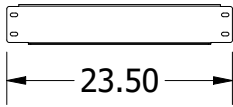
AM-40001



AM-62430



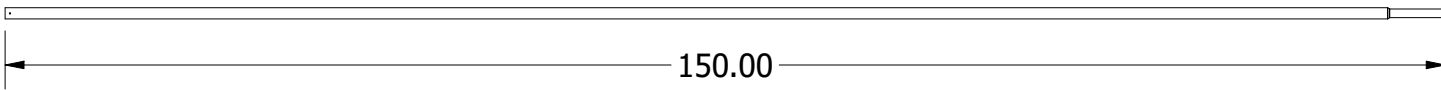
AM-40002



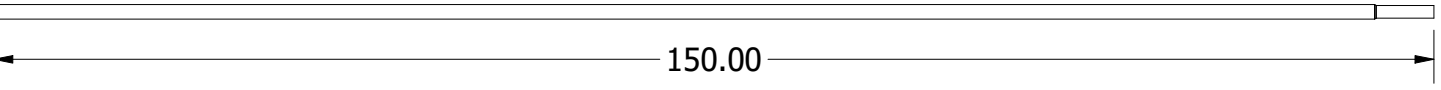
HRC1500



TR1015006



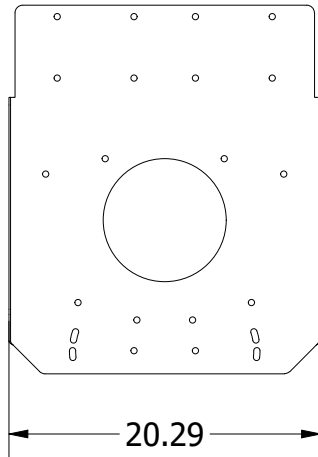
TR1515006



All units in inches

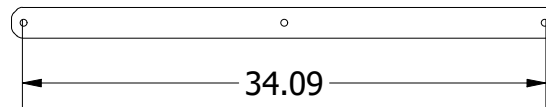
# Truss Assembly and AM-80002 parts breakdown

AM-50002

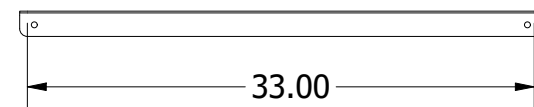


PARTS LIST			
ITEM	QTY	PART NUMBER	DESCRIPTION
1	2	AM-50002	Truss Plate 24" x 24", 8" hole
2	2	AM-50003	Truss Plate Cross Brace
3	4	AM-50004	Truss Plate X Brace
4	4	AM-80002	Diagonal Truss Tie

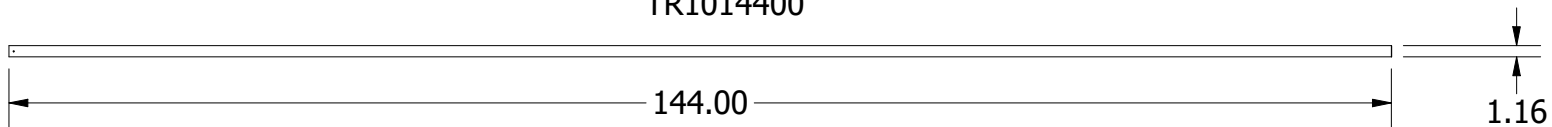
AM-50004



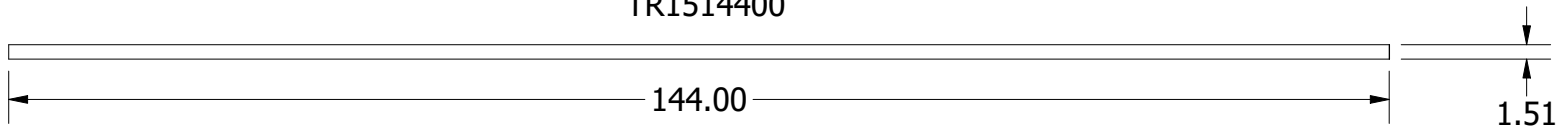
AM-50003



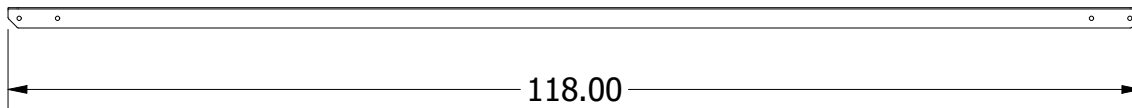
TR1014400



TR1514400

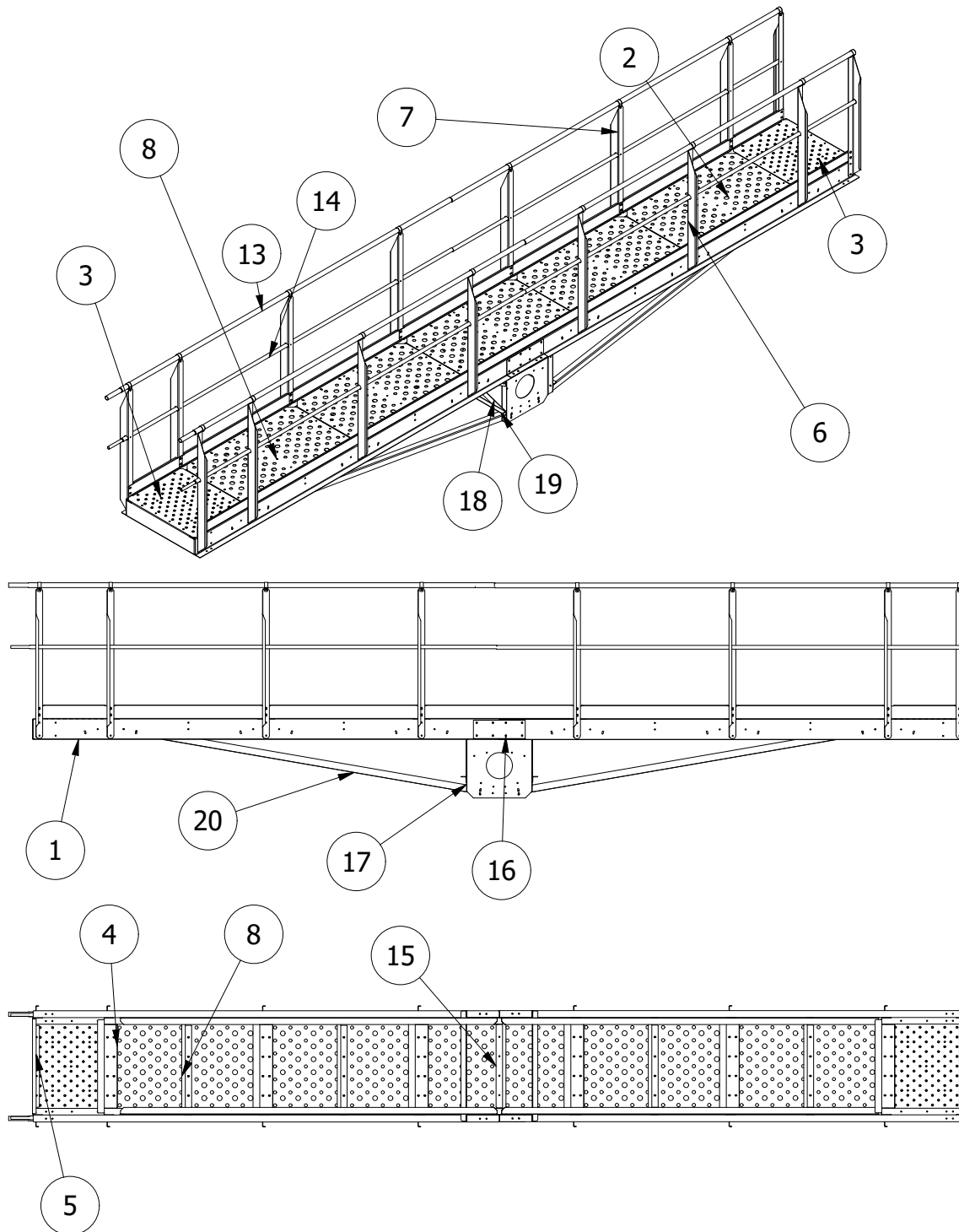


AM-80002



DRAWN bharath	6/29/2020	Greene Galvanized Stairs East Lynn, IL 217.375.4244 www.greenebinstairs.com	
CHECKED		TITLE	
QA			
MFG			
APPROVED			
		SIZE A	DWG NO. AMB03024 (AS BUILT)
		SCALE 0.08 : 1	REV 15
		SHEET 4	OF 15

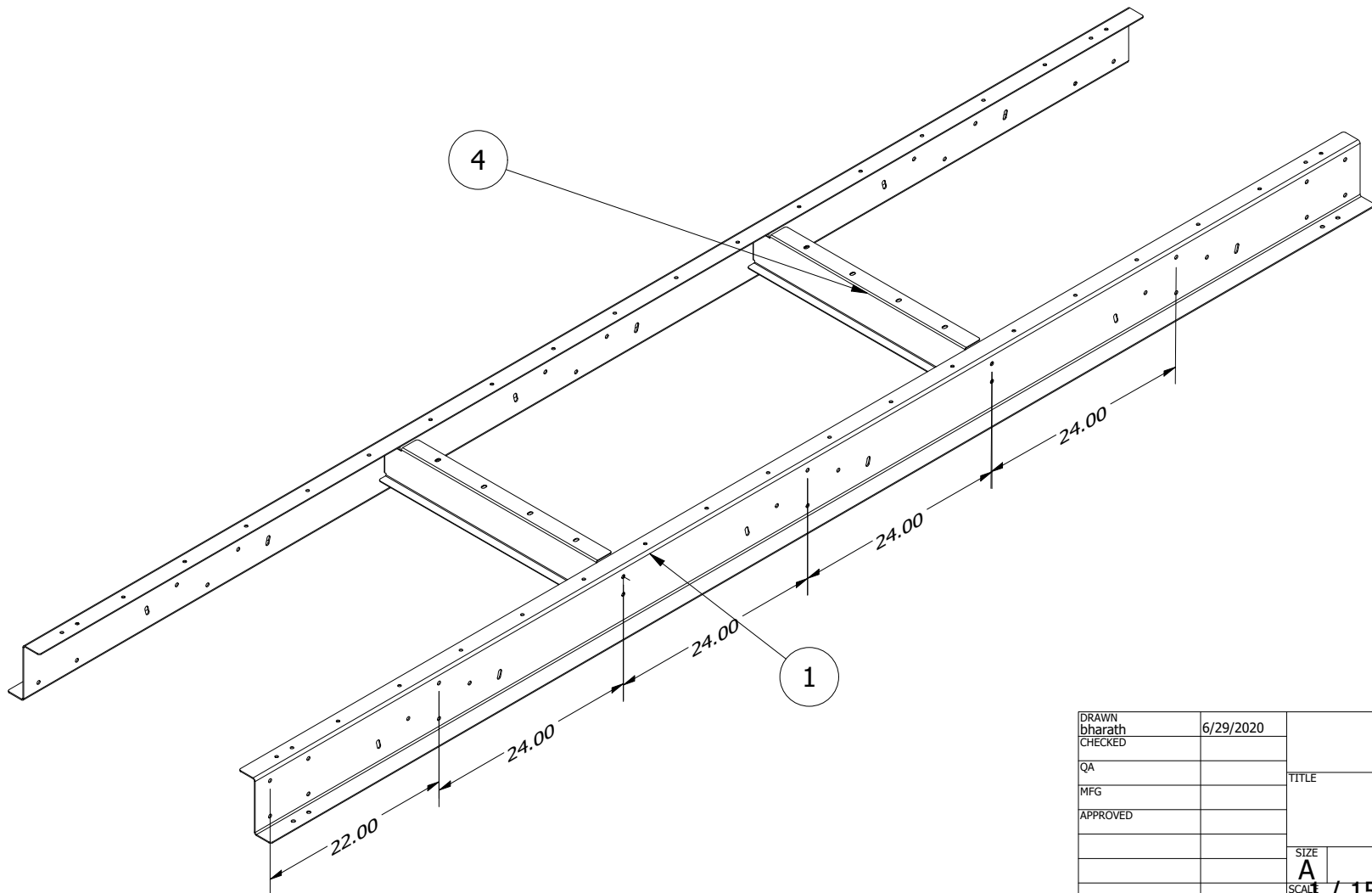
new



PARTS LIST			
ITEM	QTY	PART NUMBER	DESCRIPTION
1	4	AM-06144	Z-Rail,6"x2"x144"
2	5	AM-64830	Deck Tread, 48"X30"
3	2	AM-62430	Deck Tread, 24" x 30"
4	6	AM-20002	Post Cross Support
5	2	AM-20001	End Cross Support
6	8	AM-30001	Left Post
7	8	AM-30002	Right Post
8	4	AM-20003	Mid Cross Support
9	4	AM-40002	24" kickboard
10	10	AM-40001	48" kickboard
11	16	HRC1500	Handrail Clamp for 1.5 in
12	20	floor screw	Self tapping screw
13	2	TR1515006	1.50 in 1 in dia tubing 6in swage
14	2	TR1015006	1.00 in 1 in dia tubing 6in swage
15	1	AM-20004	Splice Cross Support
16	4	AM-50001	Z Rail Splice Plate
17	2	AM-50002	Truss Plate 24" x 24", 8" hole
18	4	AM-50004	Truss Plate X Brace
19	2	AM-50003	Truss Plate Cross Brace
20	4	AM-80002	Diagonal Truss Tie 12'

# STEP 1 : Adding Mid Cross support to the Side rails

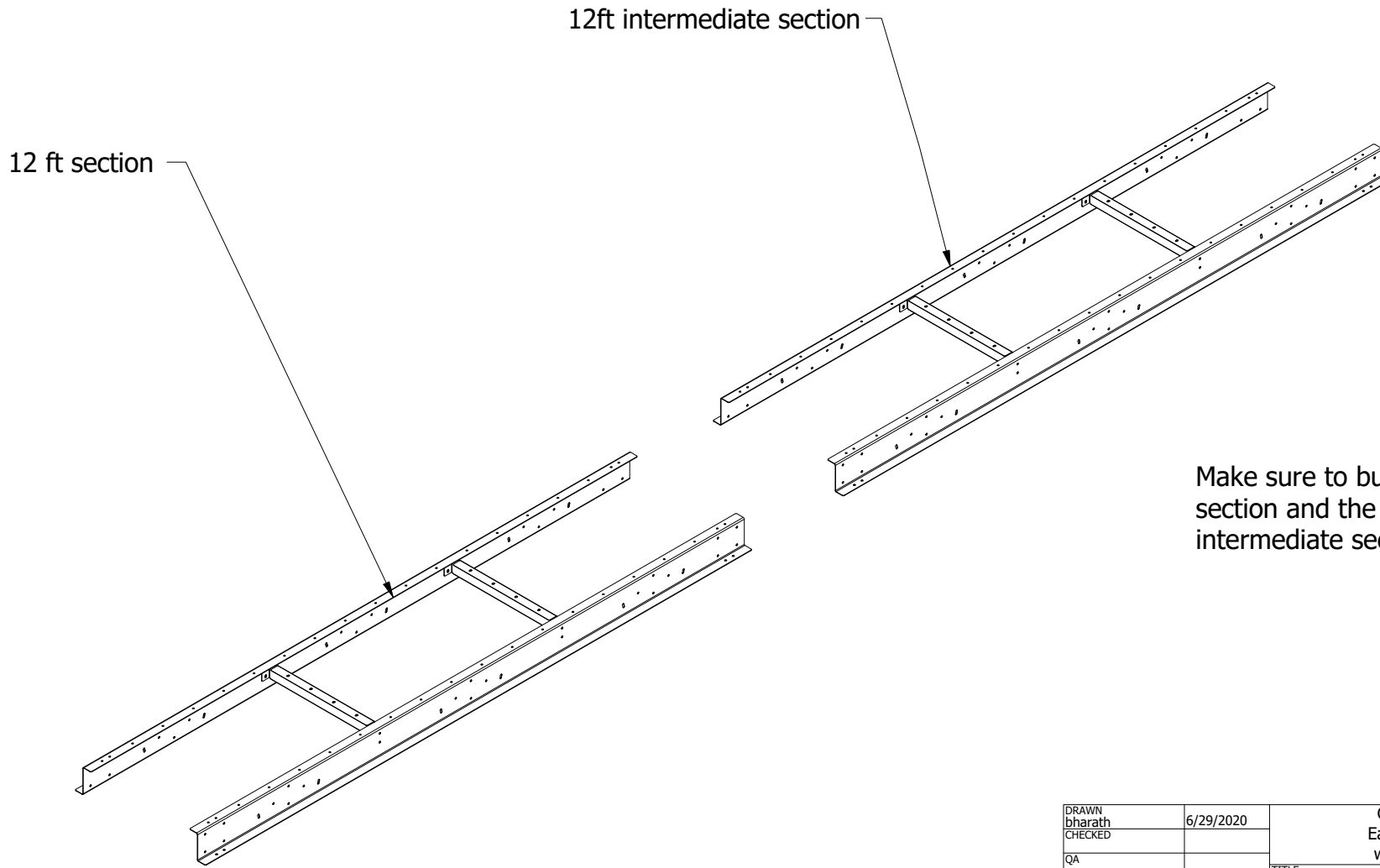
PARTS LIST			
ITEM	QTY	PART NUMBER	DESCRIPTION
1	2	AM-06144	Z-Rail,6"x2"x144"
4	2	AM-20003	Mid Cross Support



DRAWN bharath	6/29/2020	Greene Galvanized Stairs East Lynn, IL 217.375.4244 www.greenebinstairs.com	
CHECKED		TITLE	
QA			
MFG			
APPROVED			
		SIZE A	DWG NO. AMB03024 (AS BUILT)
		SCALE 1 / 15	REV
		SHEET 6	OF 15

new

# STEP 2: Setting up both the 12ft sections



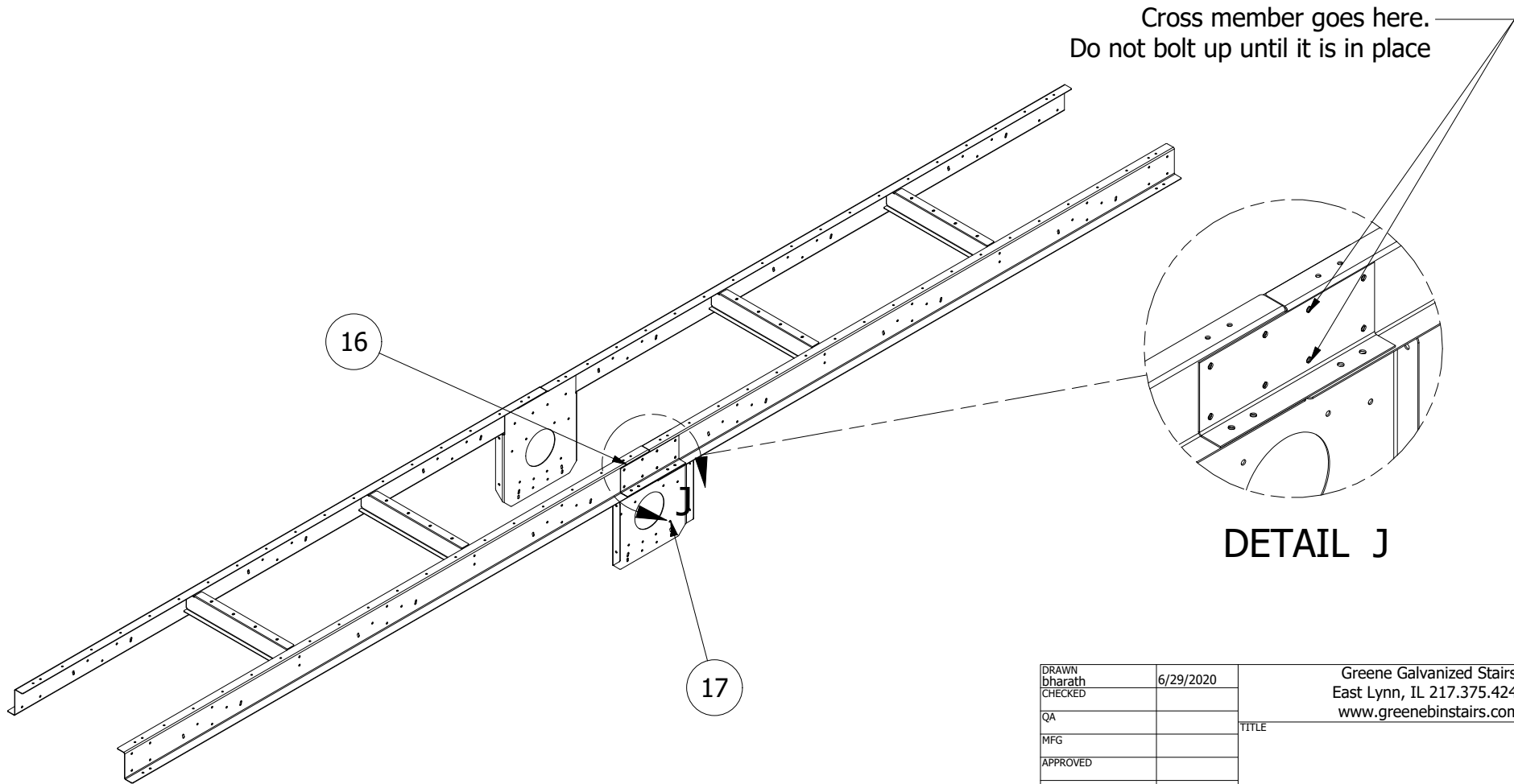
Make sure to build the 12 ft section and the 12 ft intermediate section.

DRAWN bharath	6/29/2020	Greene Galvanized Stairs East Lynn, IL 217.375.4244 www.greenebinstairs.com	
CHECKED		TITLE	
QA			
MFG			
APPROVED			
		SIZE A	DWG NO. AMB03024 (AS BUILT)
		SCALE 1 / 30	REV 7 OF 15

new

# STEP 3 : Splicing the 12ft Sections

PARTS LIST			
ITEM	QTY	PART NUMBER	DESCRIPTION
17	2	AM-50002	Truss Plate 24" x 24", 8" hole
20	4	AM-80002	Diagonal Truss Tie 12'
21	2	TR1014400	144 in 1.5 in dia tubing no swage
22	2	TR1514400	144 in 1.5 in dia tubing no swage

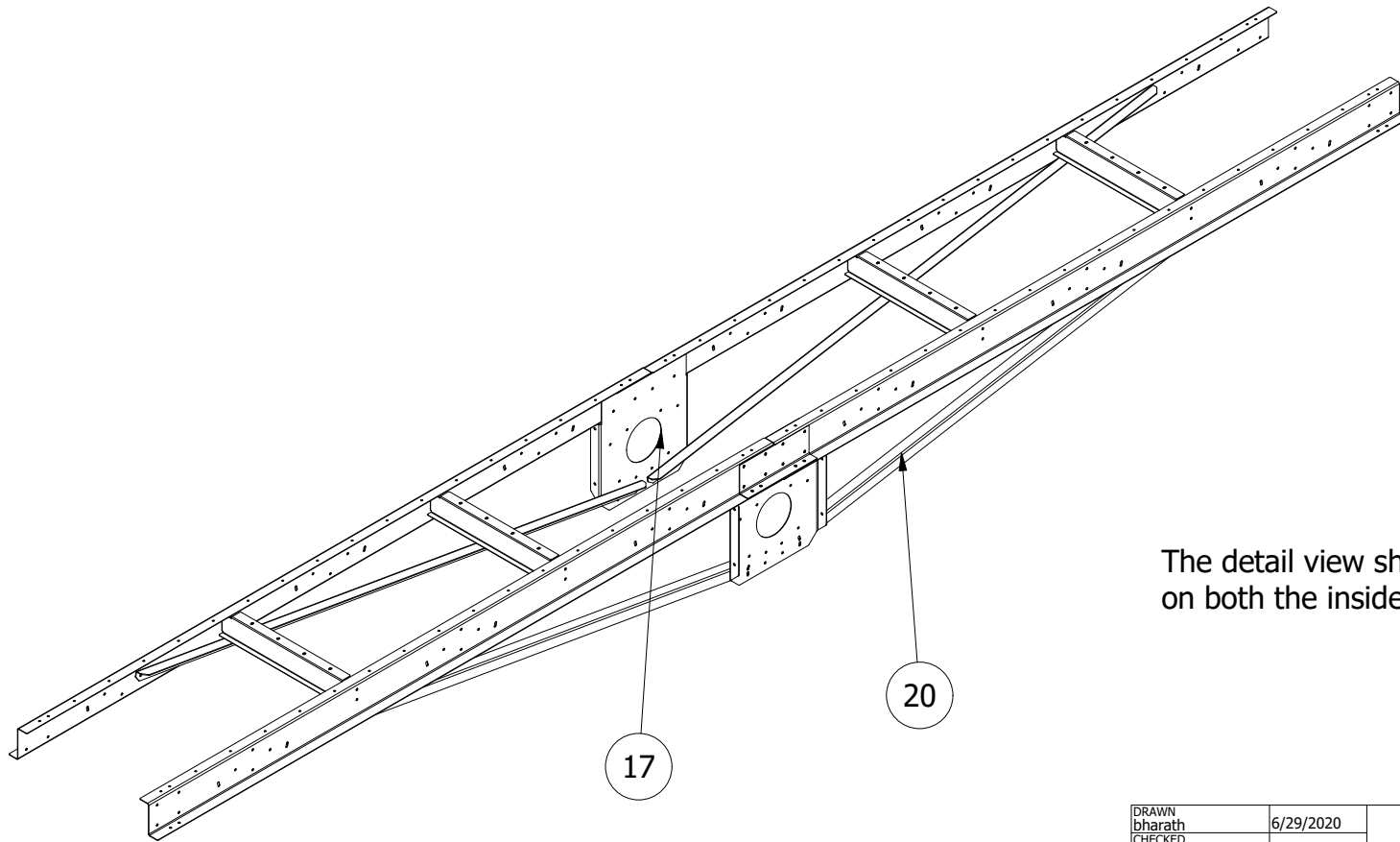


DRAWN bharath	6/29/2020	Greene Galvanized Stairs East Lynn, IL 217.375.4244 www.greenebinstairs.com	
CHECKED		TITLE	
QA			
MFG			
APPROVED			
		SIZE A	DWG NO. AMB03024 (AS BUILT)
		SCALE 1/30	REV new
		SHEET 8	OF 15



# STEP 4 : Adding the Truss plates and Diagonal Truss ties

PARTS LIST			
ITEM	QTY	PART NUMBER	DESCRIPTION
17	2	AM-50002	Truss Plate 24" x 24", 8" hole
20	4	AM-80002	Diagonal Truss Tie 12'
21	2	TR1014400	144 in 1.5 in dia tubing no swage
22	2	TR1514400	144 in 1.5 in dia tubing no swage

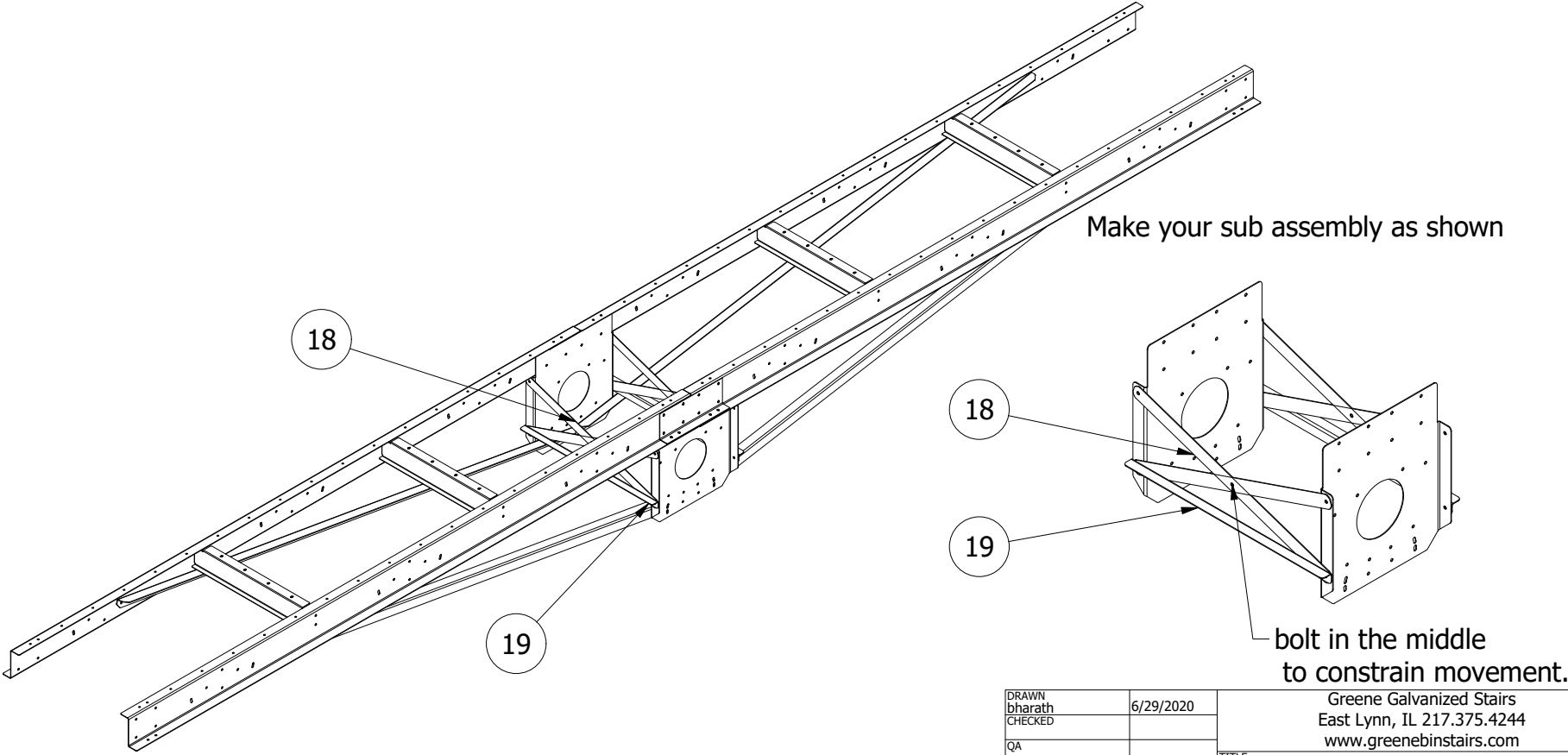


The detail view shows the AM-50001 attached on both the inside and outside.

DRAWN bharath	6/29/2020	Greene Galvanized Stairs East Lynn, IL 217.375.4244 www.greenebinstairs.com	
CHECKED		TITLE	
QA			
MFG			
APPROVED			
		SIZE A	DWG NO. AMB03024 (AS BUILT)
		SCALE 1/30	REV new
		SHEET 9	OF 15

# STEP 5 : Assembling the Truss Assembly

PARTS LIST			
ITEM	QTY	PART NUMBER	DESCRIPTION
18	4	AM-50004	Truss Plate X Brace
19	2	AM-50003	Truss Plate Cross Brace
21	2	TR1014400	144 in 1.5 in dia tubing no swage
22	2	TR1514400	144 in 1.5 in dia tubing no swage



Make your sub assembly as shown

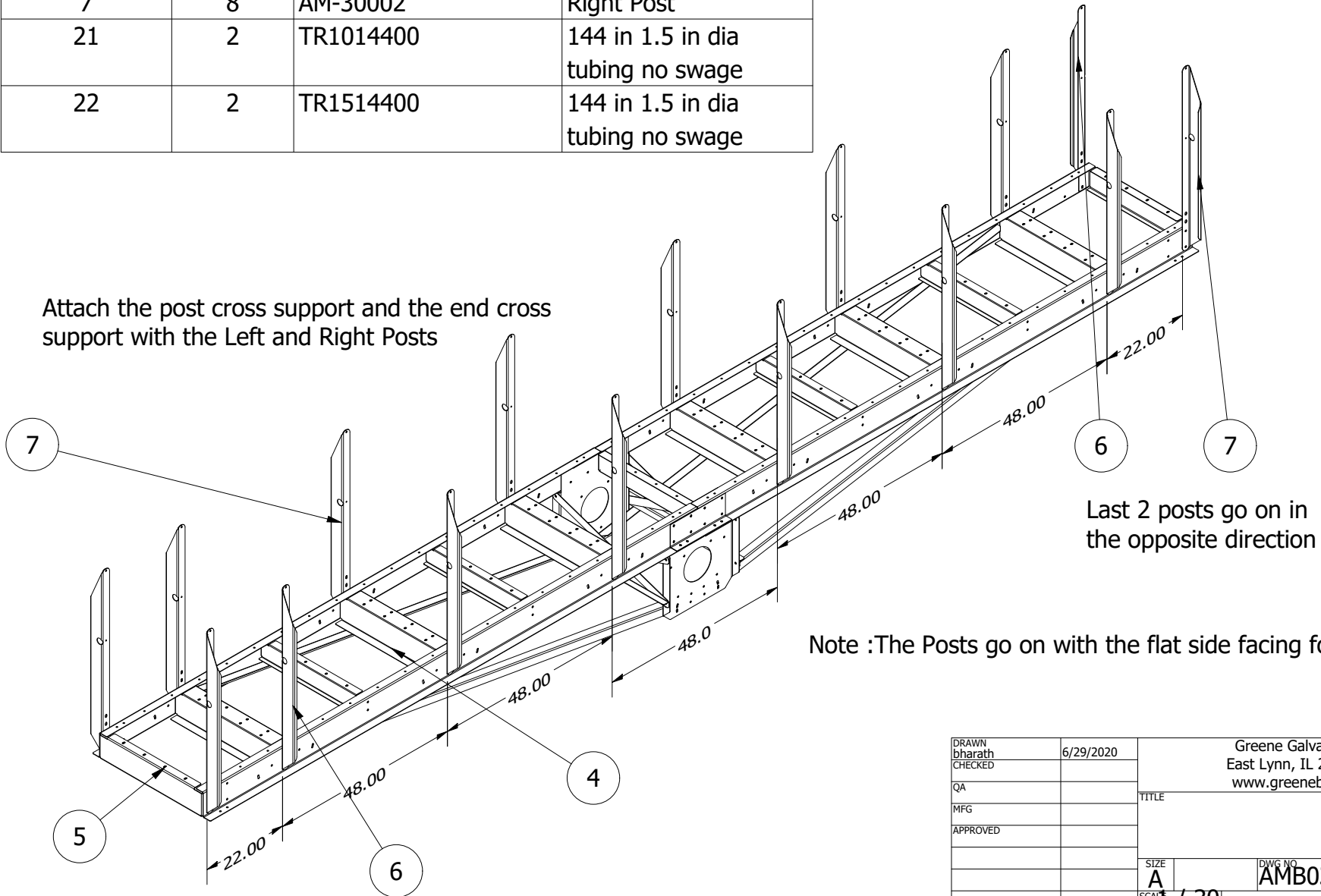
bolt in the middle to constrain movement.

DRAWN bharath	6/29/2020	Greene Galvanized Stairs East Lynn, IL 217.375.4244 www.greenebinstairs.com	
CHECKED		TITLE	
QA			
MFG			
APPROVED			
		SIZE A	DWG NO. AMB03024 (AS BUILT)
		SCALE 1 / 30	REV new
		SHEET 10	OF 15

# STEP 6 : Adding the Cross Supports and Posts

PARTS LIST			
ITEM	QTY	PART NUMBER	DESCRIPTION
4	6	AM-20002	Post Cross Support
5	2	AM-20001	End Cross Support
6	8	AM-30001	Left Post
7	8	AM-30002	Right Post
21	2	TR1014400	144 in 1.5 in dia tubing no swage
22	2	TR1514400	144 in 1.5 in dia tubing no swage

Attach the post cross support and the end cross support with the Left and Right Posts



Last 2 posts go on in the opposite direction

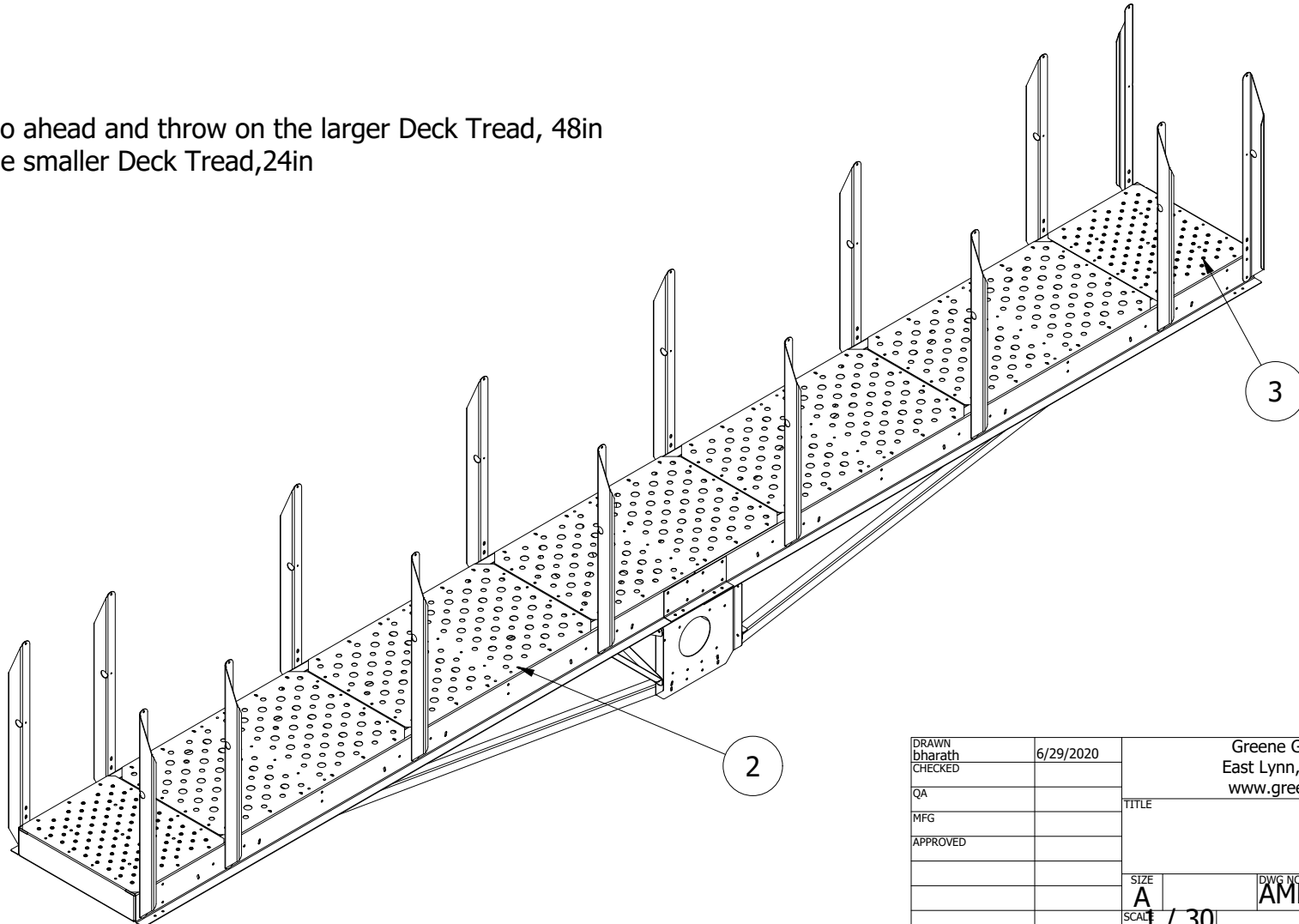
Note :The Posts go on with the flat side facing forward.

DRAWN bharath	6/29/2020	Greene Galvanized Stairs East Lynn, IL 217.375.4244 www.greenebinstairs.com	
CHECKED		TITLE	
QA			
MFG			
APPROVED			
		SIZE A	DWG NO AMB03024 (AS BUILT)
		SCALE 1 / 30	REV
		SHEET 11	OF 15

# STEP 7 : Adding the Decks

PARTS LIST			
ITEM	QTY	PART NUMBER	DESCRIPTION
2	5	AM-64830	Deck Tread, 48"X30"
3	2	AM-62430	Deck Tread, 24" x 30"
21	2	TR1014400	144 in 1.5 in dia tubing no swage
22	2	TR1514400	144 in 1.5 in dia tubing no swage

Now go ahead and throw on the larger Deck Tread, 48in and the smaller Deck Tread, 24in

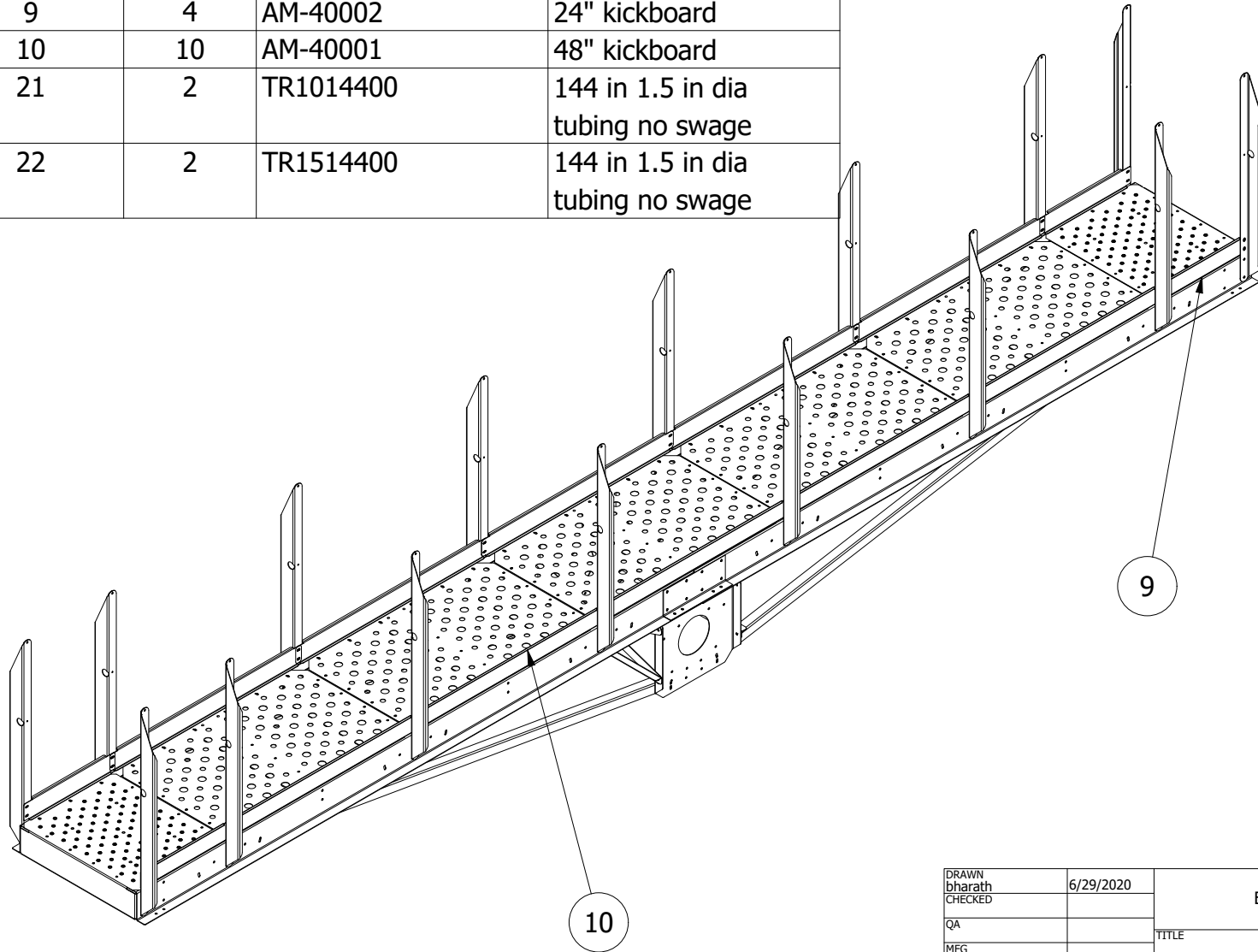


DRAWN bharath	6/29/2020	Greene Galvanized Stairs East Lynn, IL 217.375.4244 www.greenebinstairs.com	
CHECKED		TITLE	
QA			
MFG			
APPROVED			
		SIZE A	DWG NO AMB03024 (AS BUILT)
		SCALE 1 / 30	REV
		SHEET 12	OF 15

new

# STEP 8 : Adding the Kickboards

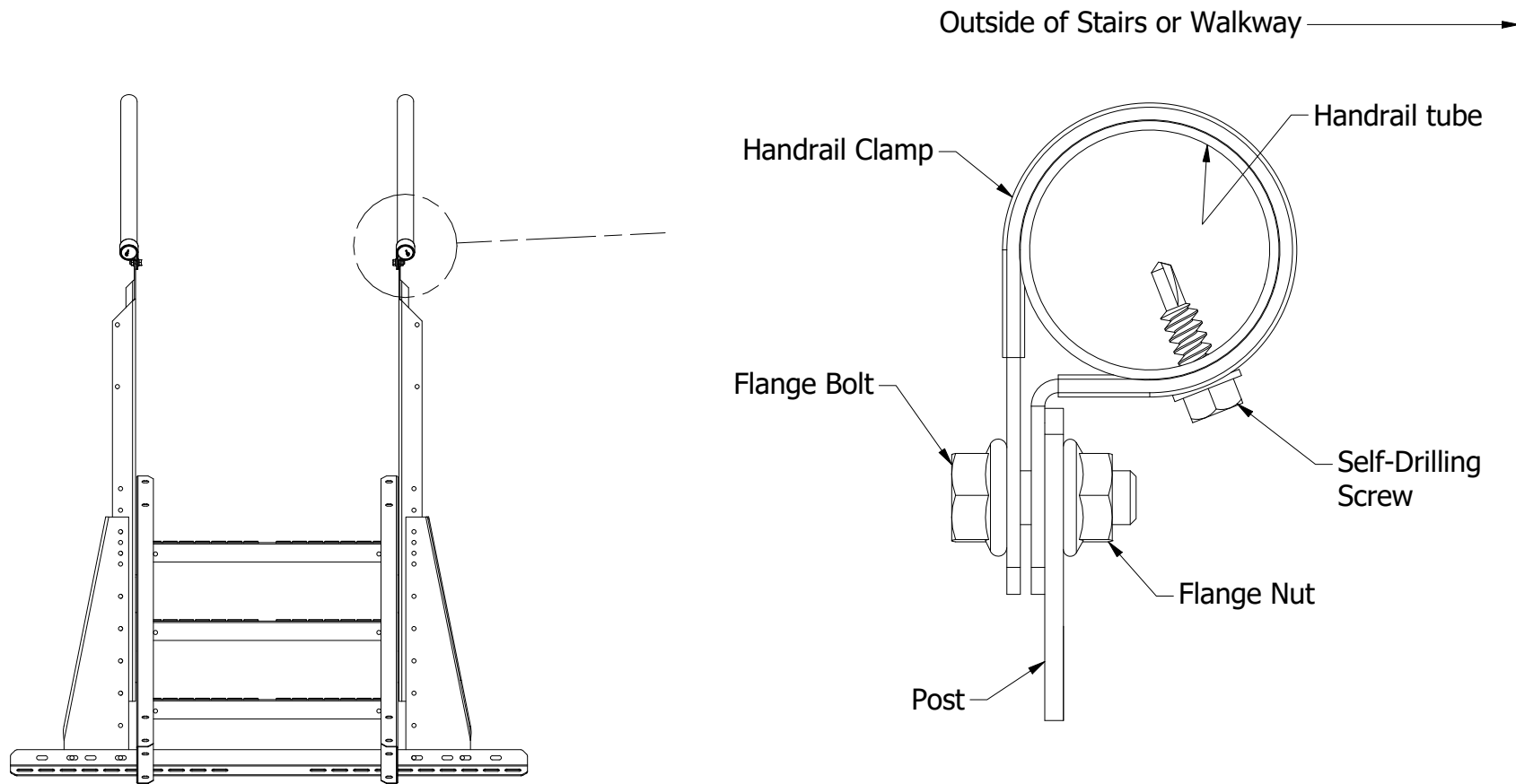
PARTS LIST			
ITEM	QTY	PART NUMBER	DESCRIPTION
9	4	AM-40002	24" kickboard
10	10	AM-40001	48" kickboard
21	2	TR1014400	144 in 1.5 in dia tubing no swage
22	2	TR1514400	144 in 1.5 in dia tubing no swage



DRAWN bharath	6/29/2020	Greene Galvanized Stairs East Lynn, IL 217.375.4244 www.greenebinstairs.com	
CHECKED		TITLE	
QA			
MFG			
APPROVED			
		SIZE A	DWG NO AMB03024 (AS BUILT)
		SCALE 1 / 30	REV new
		SHEET 13	OF 15

## Handrail Clamp Installation Instructions

- Position the handrail clamp so it is oriented facing outward, and so it does not interfere into the width of the stairs or walkway.
- Insert the bolt through both holes on the handrail clamp first, then push the bolt through the hole in the stair post from the inside. Install the nut on the outside so that the bolt head is on the inside of the stairs.
- Fasten the clamp tightly together so it is closed around the handrail, making sure the post is not between the two tabs.
- Install a self-drilling screw into the handrail clamp and through the handrail. It should be positioned on the outside near the bottom, to minimize contact with the hands.



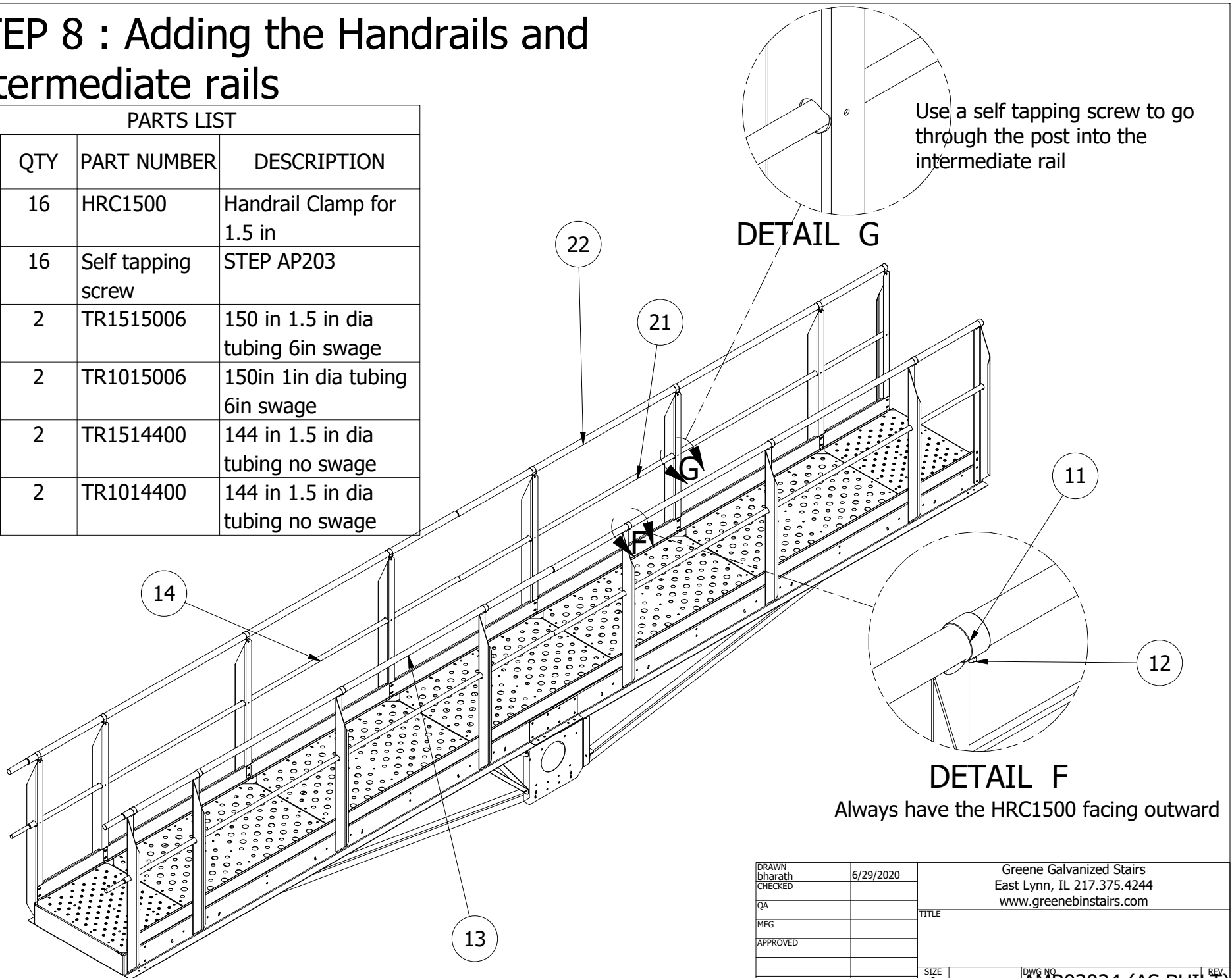
Roof Stair Example Shown

**Detail of Handrail Clamp Assembly**

# STEP 8 : Adding the Handrails and Intermediate rails

## PARTS LIST

ITEM	QTY	PART NUMBER	DESCRIPTION
11	16	HRC1500	Handrail Clamp for 1.5 in
12	16	Self tapping screw	STEP AP203
13	2	TR1515006	150 in 1.5 in dia tubing 6in swage
14	2	TR1015006	150in 1in dia tubing 6in swage
22	2	TR1514400	144 in 1.5 in dia tubing no swage
21	2	TR1014400	144 in 1.5 in dia tubing no swage



Use a self tapping screw to go through the post into the intermediate rail

DETAIL G

DETAIL F

Always have the HRC1500 facing outward

DRAWN bharath	6/29/2020	Greene Galvanized Stairs East Lynn, IL 217.375.4244 www.greenebinstairs.com	
CHECKED		TITLE	
QA		MFG	
MFG		APPROVED	
APPROVED		SIZE A	DWG NO. AMB03024 (AS BUILT)
		SCALE 1 / 30	REV new
		SHEET 15	OF 15