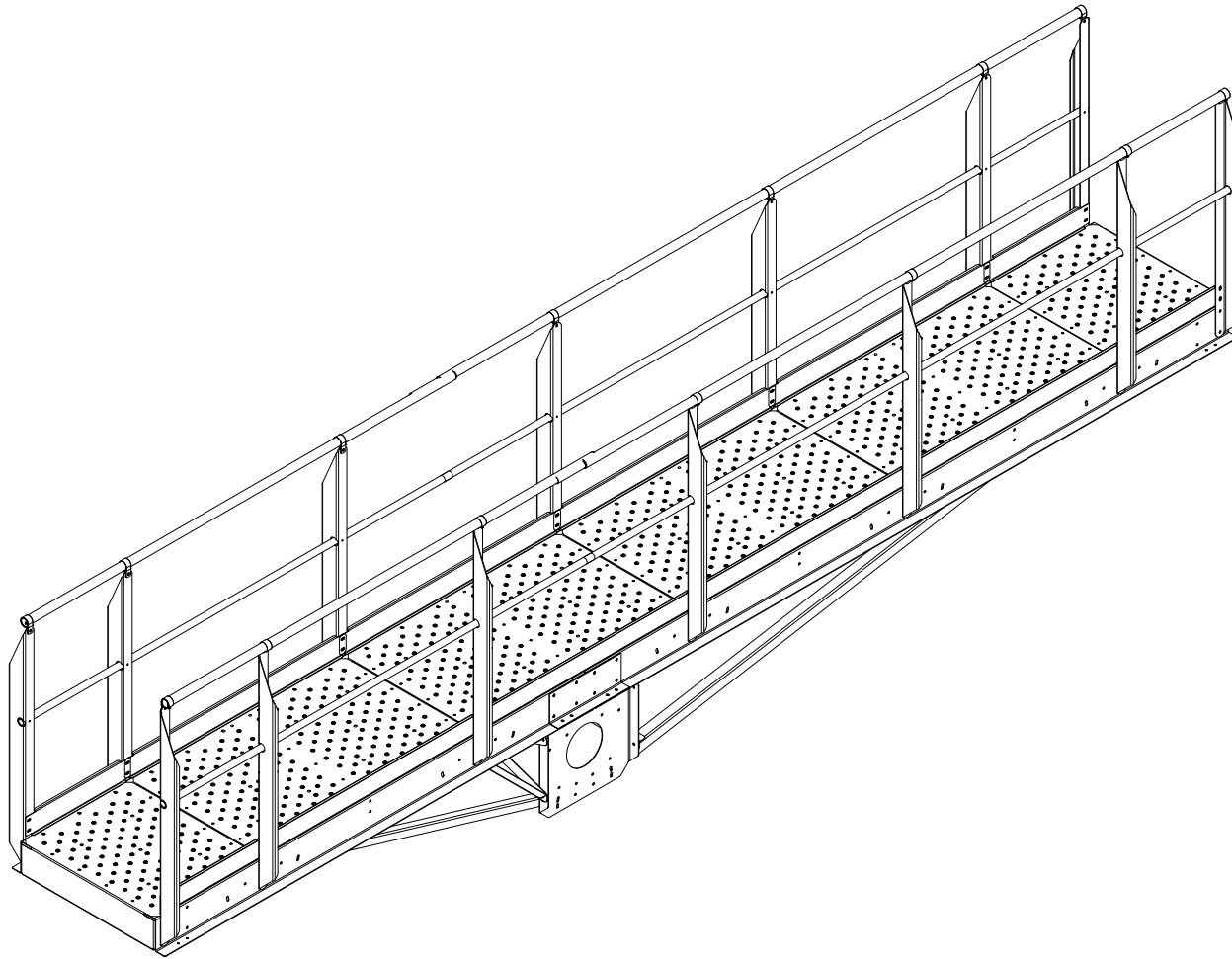


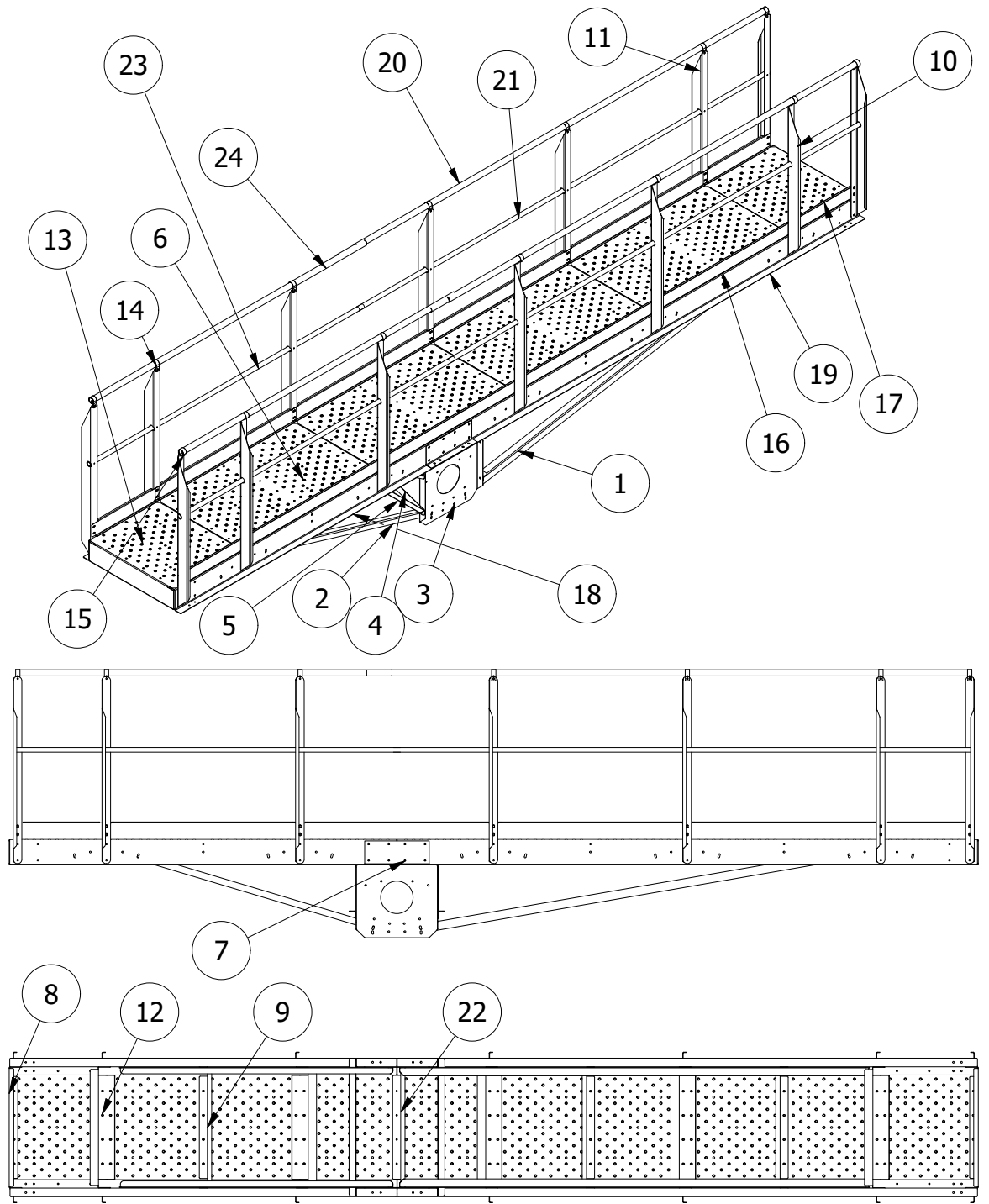
AMB03020  
Greene Galvanized Stairs



AMB03020

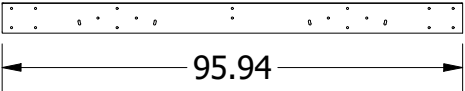
PARTS LIST

ITEM	QTY	PART NUMBER	DESCRIPTION
1	2	AM-80002	Angle, Tie Brace, 12' manwalk 118
2	2	AM-80001	Angle, Tie Brace, 8' manwalk 70.5
3	2	AM-50002	Truss Plate 24" x 24", 8" hole
4	4	AM-50004	Truss Plate X Brace
5	2	AM-50003	Truss Plate Cross Brace
6	4	AM-64830	Deck Tread, 48"X30"
7	2	AM-50001	Z Rail Splice Plate
8	2	AM-20001	End Cross Support
9	3	AM-20003	Mid Cross Support
10	7	AM-30001	Left Post
11	7	AM-30002	Right Post
12	5	AM-20002	Post Cross Support
13	2	AM-62430	Deck Tread, 24" x 30"
14	14	HRC1500	Handrail Clamp for 1.5 in
15	14	Floor screw	Self tapping screw
16	8	AM-40001	48" kickboard
17	4	AM-40002	24" kickboard
18	2	AM-06096	Z Rail, 6"x2"x96"
19	2	AM-06144	Z-Rail, 6"x2"x144"
20	2	TR1515006	150 in x1.5 in Railing 6 in Swage
21	2	TR1015006	150 in 1 in dia tubing 6in swage
22	1	AM-20004	Splice Cross Support
23	2	TR1009600	96 in 1 in dia tubing No Swage
24	2	TR1509600	96 in x1.5 in Railing No Swage

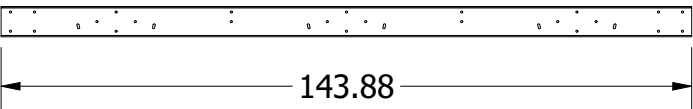


# Parts break down

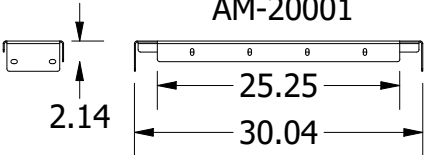
AM-06096



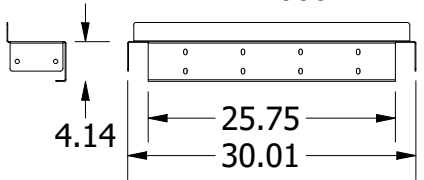
AM-06144



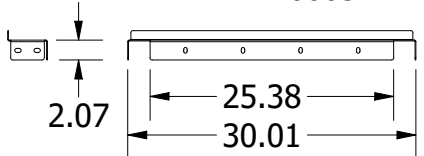
AM-20001



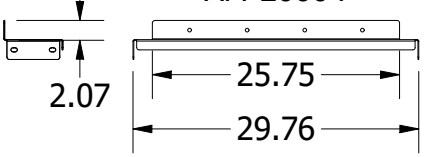
AM-20002



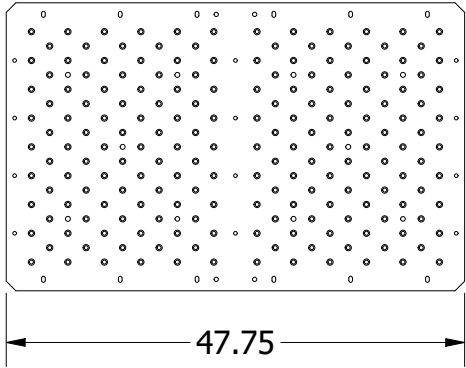
AM-20003



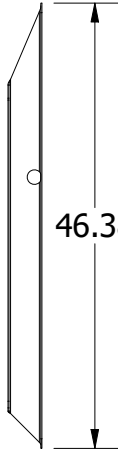
AM-20004



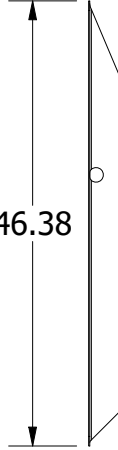
AM-64830



AM-30001

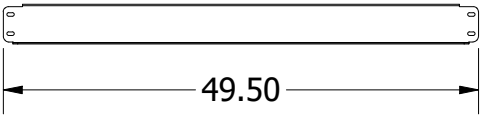


AM-30002

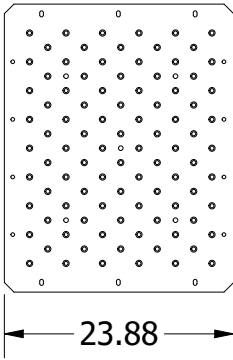


All connections use 3/8 hardware except tread plate 5/16.

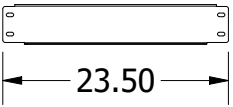
AM-40001



AM-62430



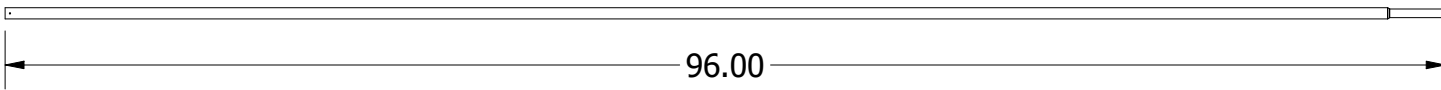
AM-40002



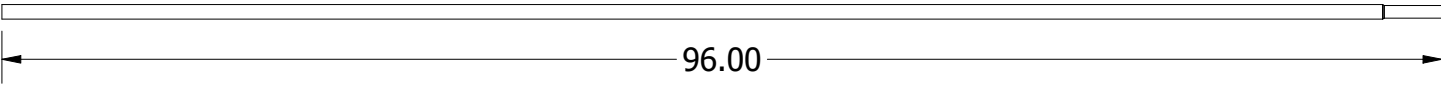
HRC1500



TR101509600



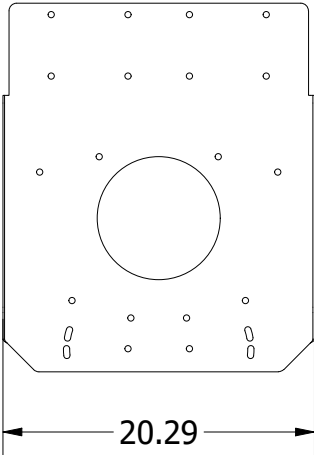
TR1509600



All units in inches

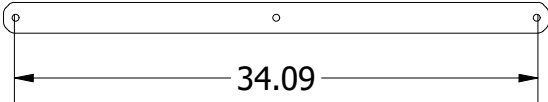
# Truss Assembly and Rails parts breakdown

AM-50002

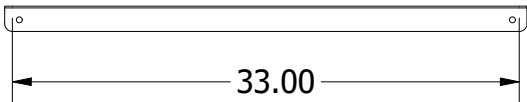


PARTS LIST			
ITEM	QTY	PART NUMBER	DESCRIPTION
1	2	AM-50002	Truss Plate 24" x 24", 8" hole
2	2	AM-50003	Truss Plate Cross Brace
3	4	AM-50004	Truss Plate X Brace
4	4	AM-80002	Diagonal Truss Tie

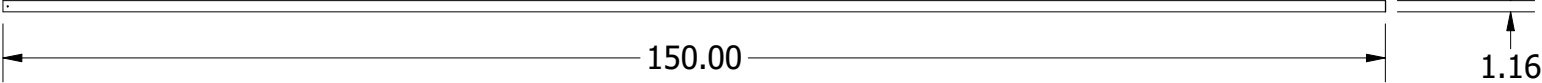
AM-50004



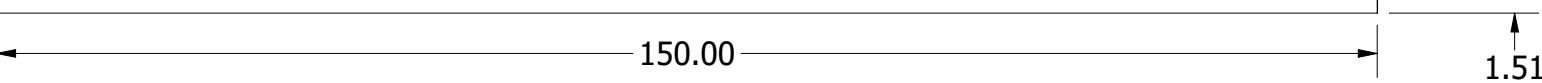
AM-50003



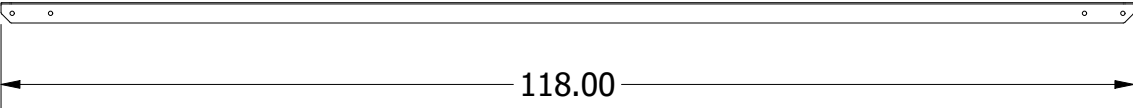
TR1015006



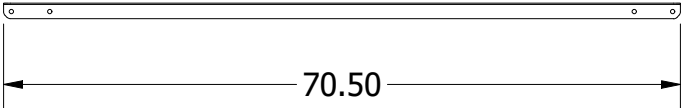
TR1515006



AM-80002



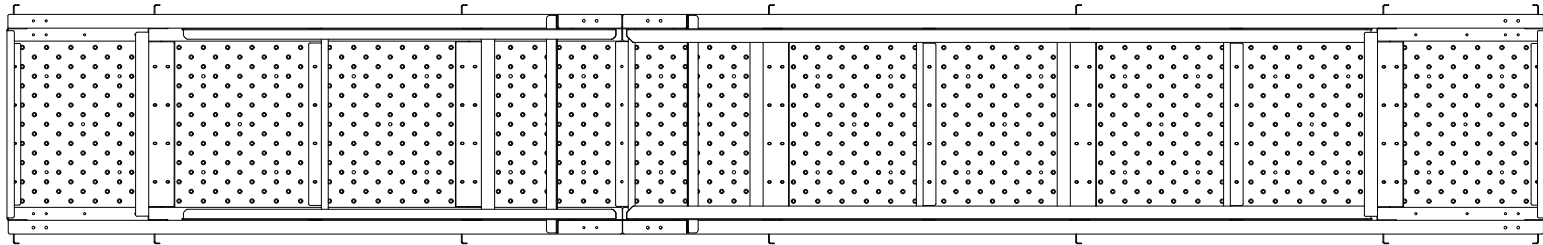
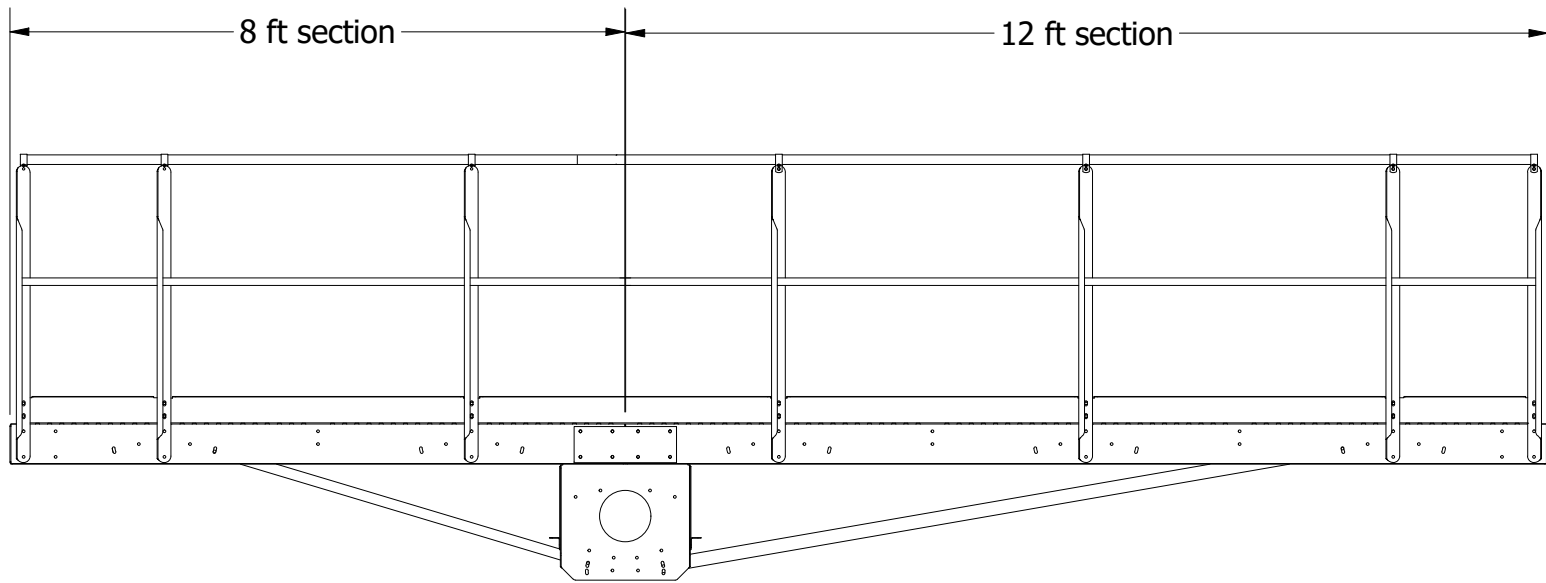
AM-80001



# MASTER ASSEMBLY

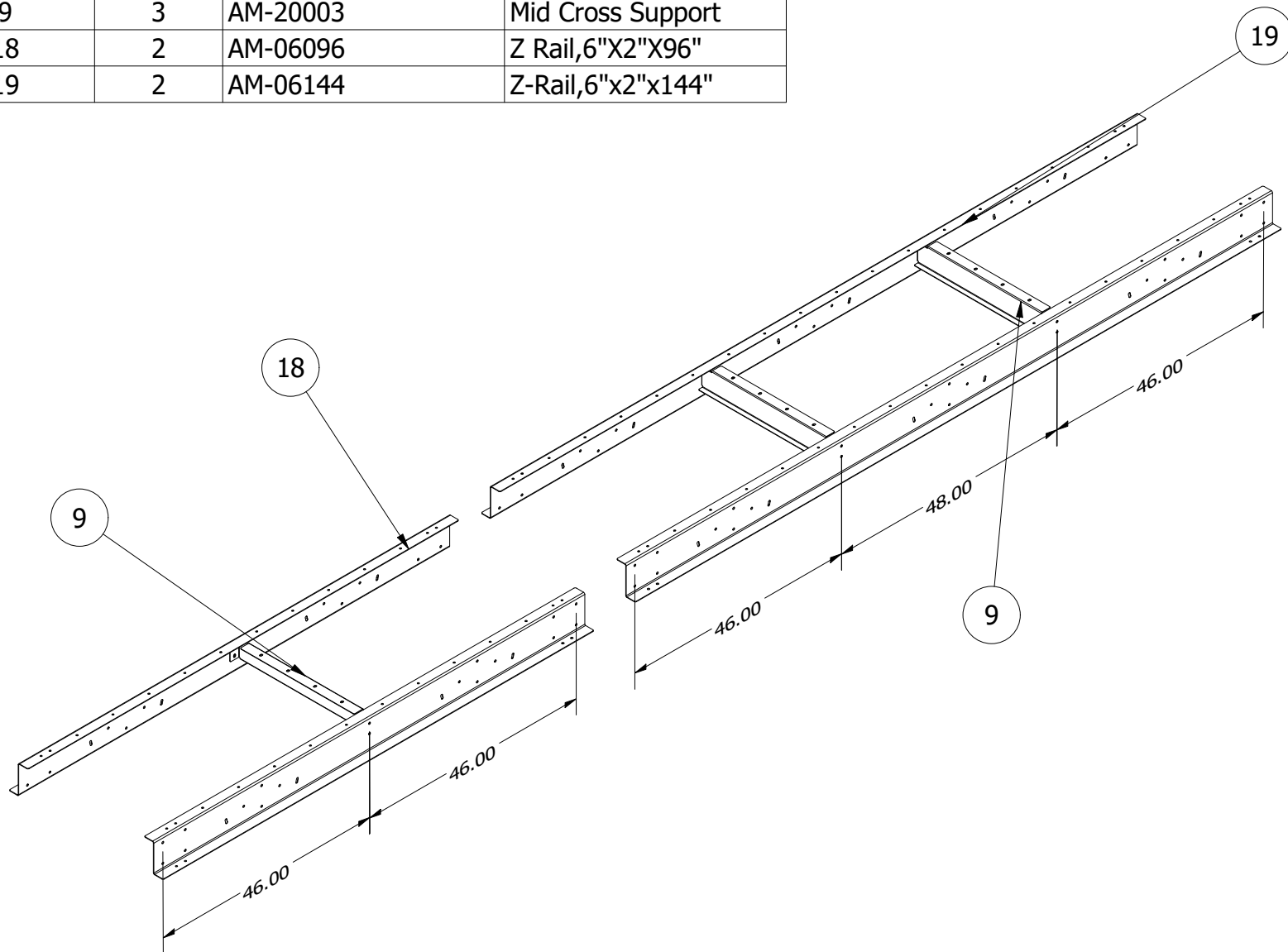
AMA03008

AMA03012



# Step1: Adding Z rail and Mid Cross Support

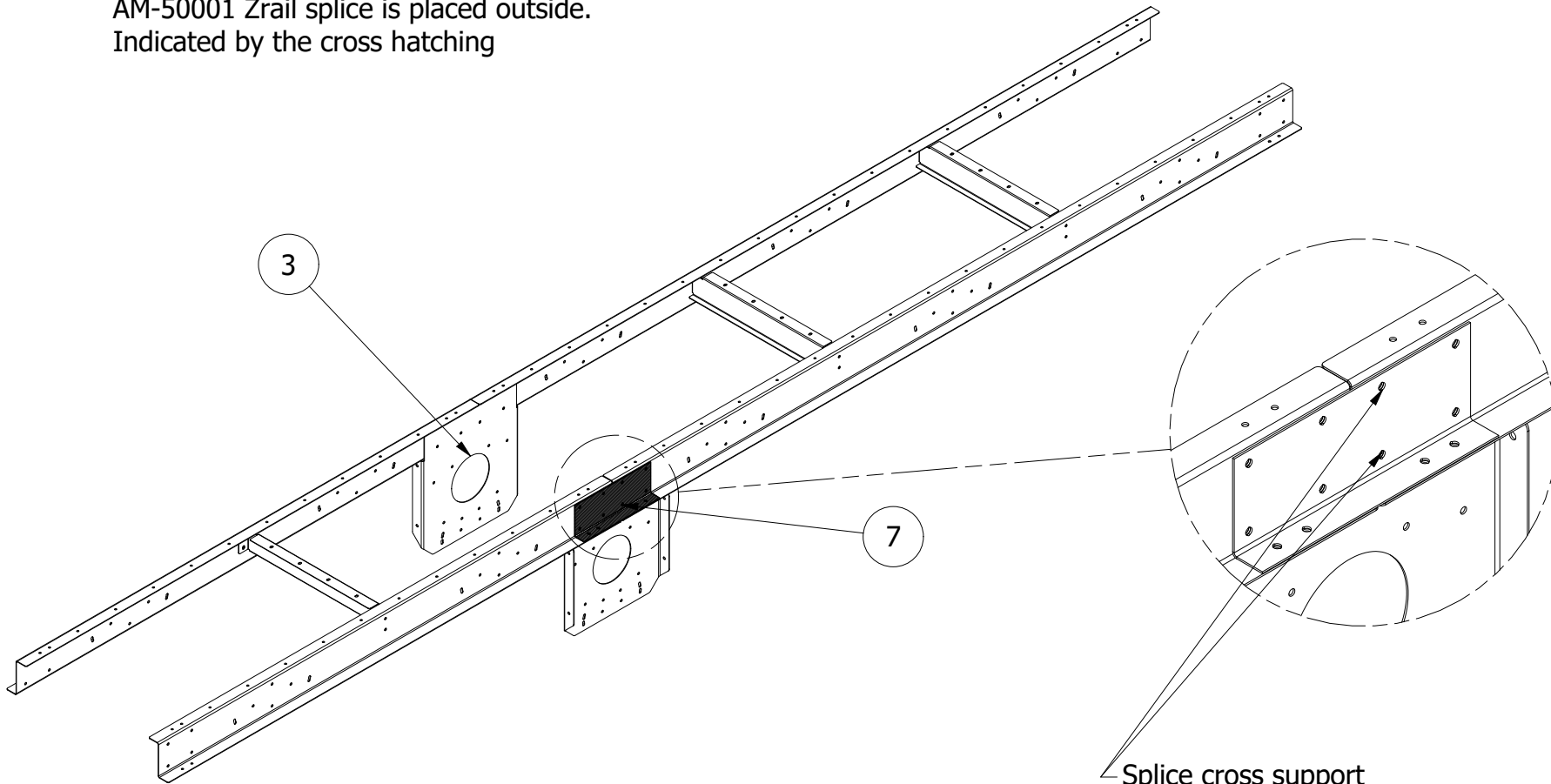
PARTS LIST			
ITEM	QTY	PART NUMBER	DESCRIPTION
9	3	AM-20003	Mid Cross Support
18	2	AM-06096	Z Rail,6"x2"x96"
19	2	AM-06144	Z-Rail,6"x2"x144"



## Step 2: Adding the Z rail splice and Truss plate

PARTS LIST			
ITEM	QTY	PART NUMBER	DESCRIPTION
3	2	AM-50002	Truss Plate 24" x 24", 8" hole
7	2	AM-50001	Z Rail Splice Plate

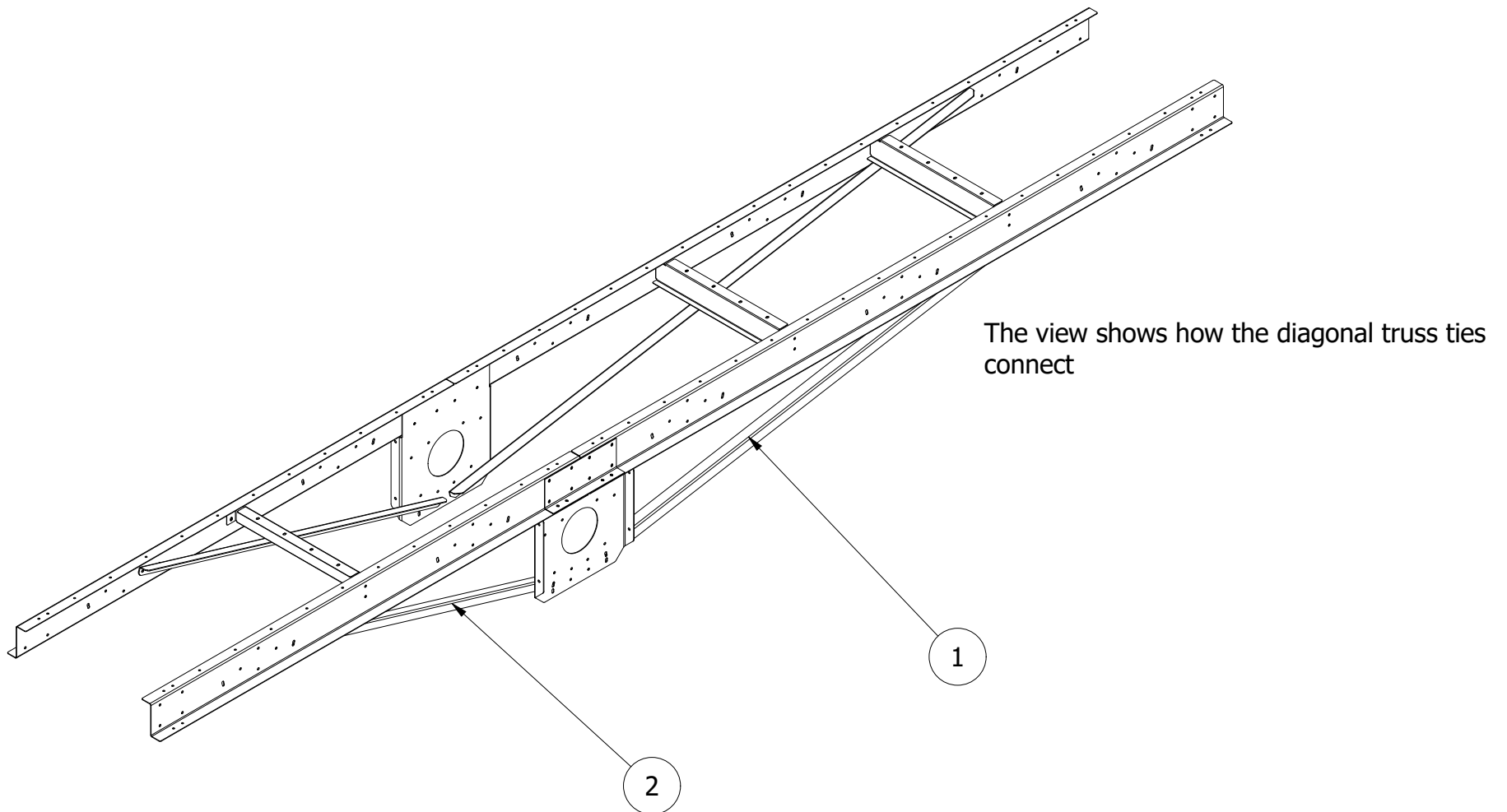
AM-50001 Zrail splice is placed outside.  
Indicated by the cross hatching



Splice cross support  
goes here. Do not bolt up  
until that is in place.

## Step 3: Adding diagonal Truss Tie

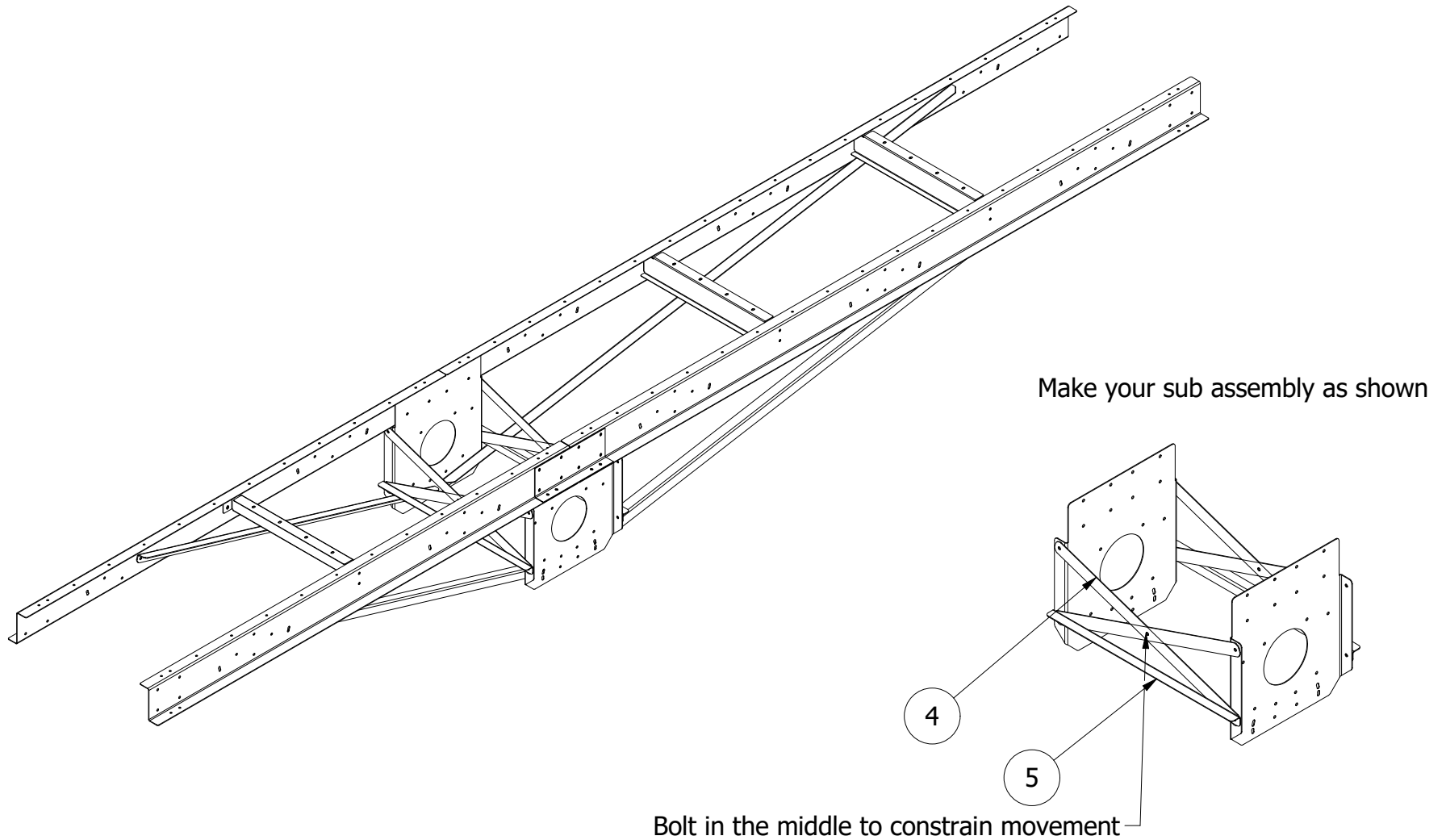
PARTS LIST			
ITEM	QTY	PART NUMBER	DESCRIPTION
1	2	AM-80002	Angle,Tie Brace,12' manwalk 118
2	2	AM-80001	Angle,Tie Brace,8' manwalk 70.5





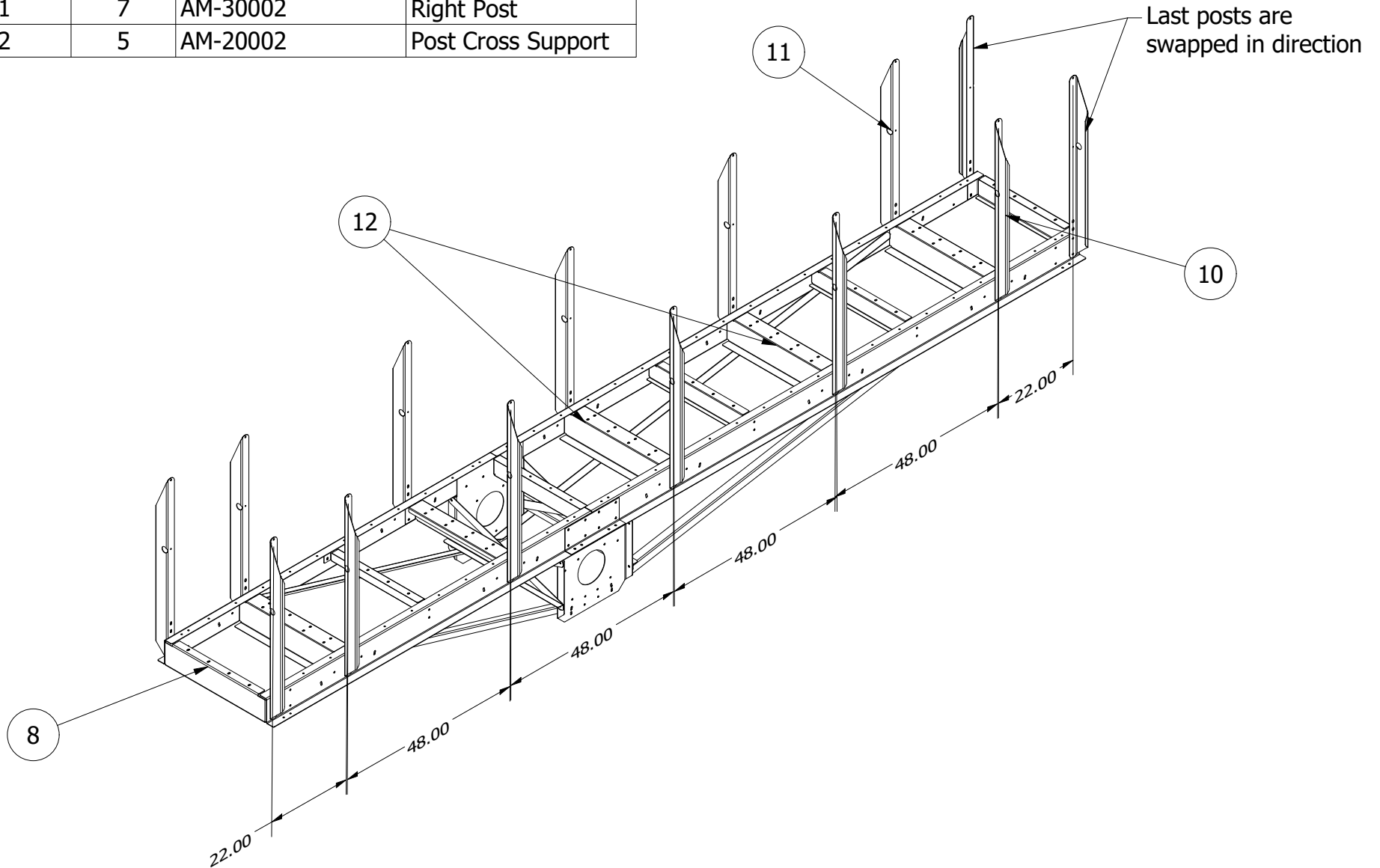
## Step 4: Adding Truss X Brace

PARTS LIST			
ITEM	QTY	PART NUMBER	DESCRIPTION
4	4	AM-50004	Truss Plate X Brace
5	2	AM-50003	Truss Plate Cross Brace



# Step 5: Adding the Cross Supports and Posts

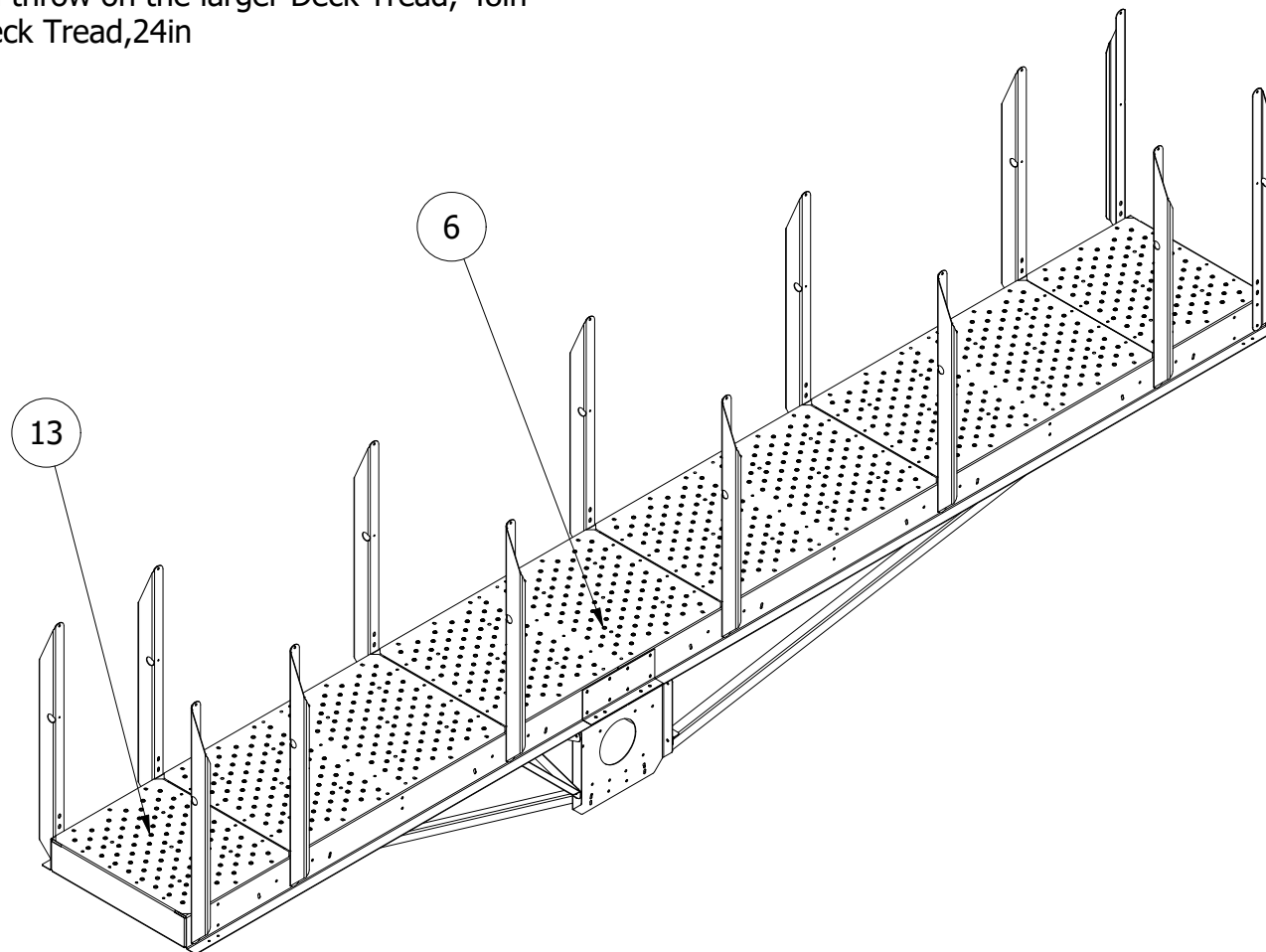
PARTS LIST			
ITEM	QTY	PART NUMBER	DESCRIPTION
8	2	AM-20001	End Cross Support
10	7	AM-30001	Left Post
11	7	AM-30002	Right Post
12	5	AM-20002	Post Cross Support



## Step 6: Adding the Deck Tread

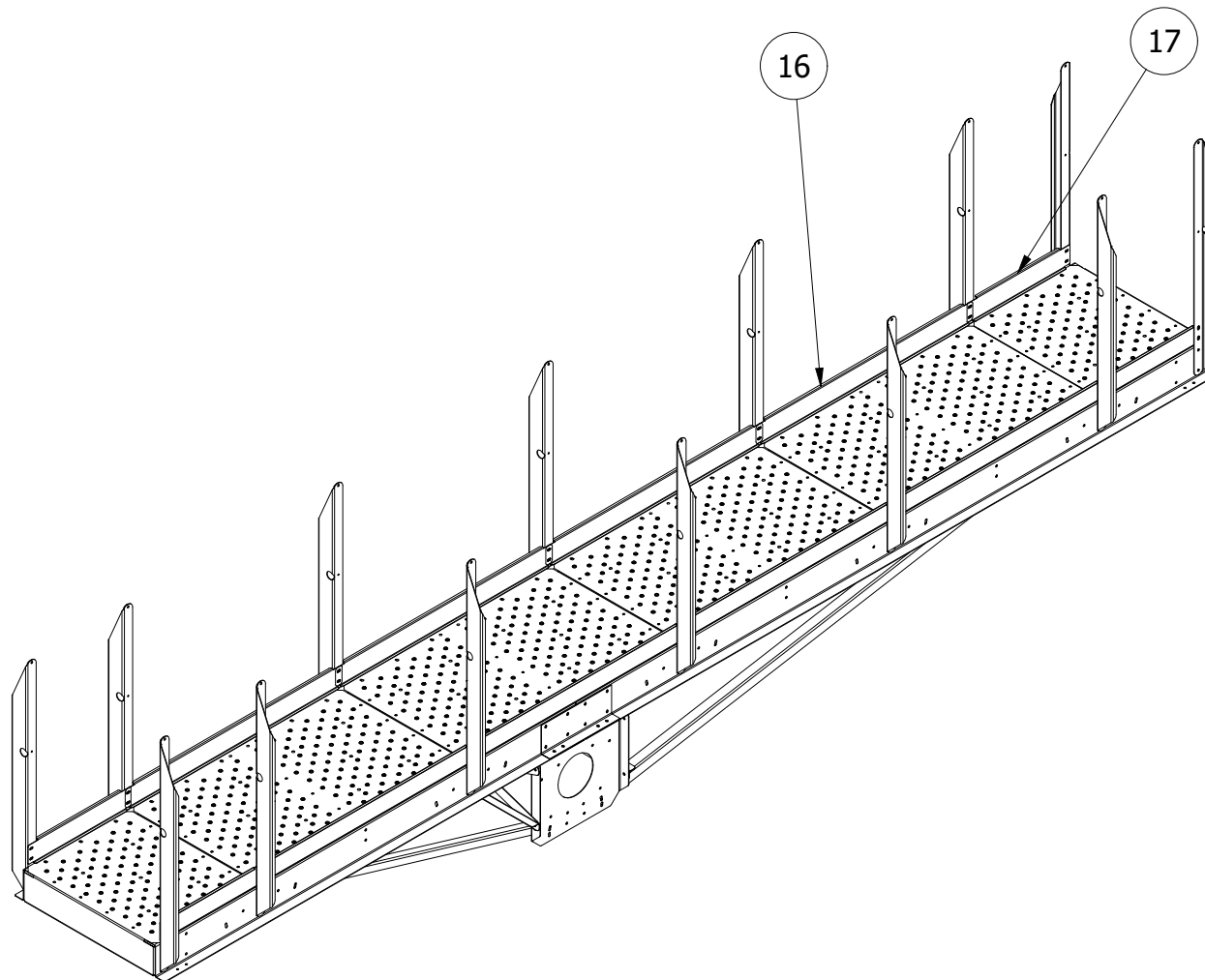
PARTS LIST			
ITEM	QTY	PART NUMBER	DESCRIPTION
6	4	AM-64830	Deck Tread, 48"X30"
13	2	AM-62430	Deck Tread, 24" x 30"

Now go ahead and throw on the larger Deck Tread, 48in  
and the smaller Deck Tread, 24in



# Step 7: Adding the Kickboards

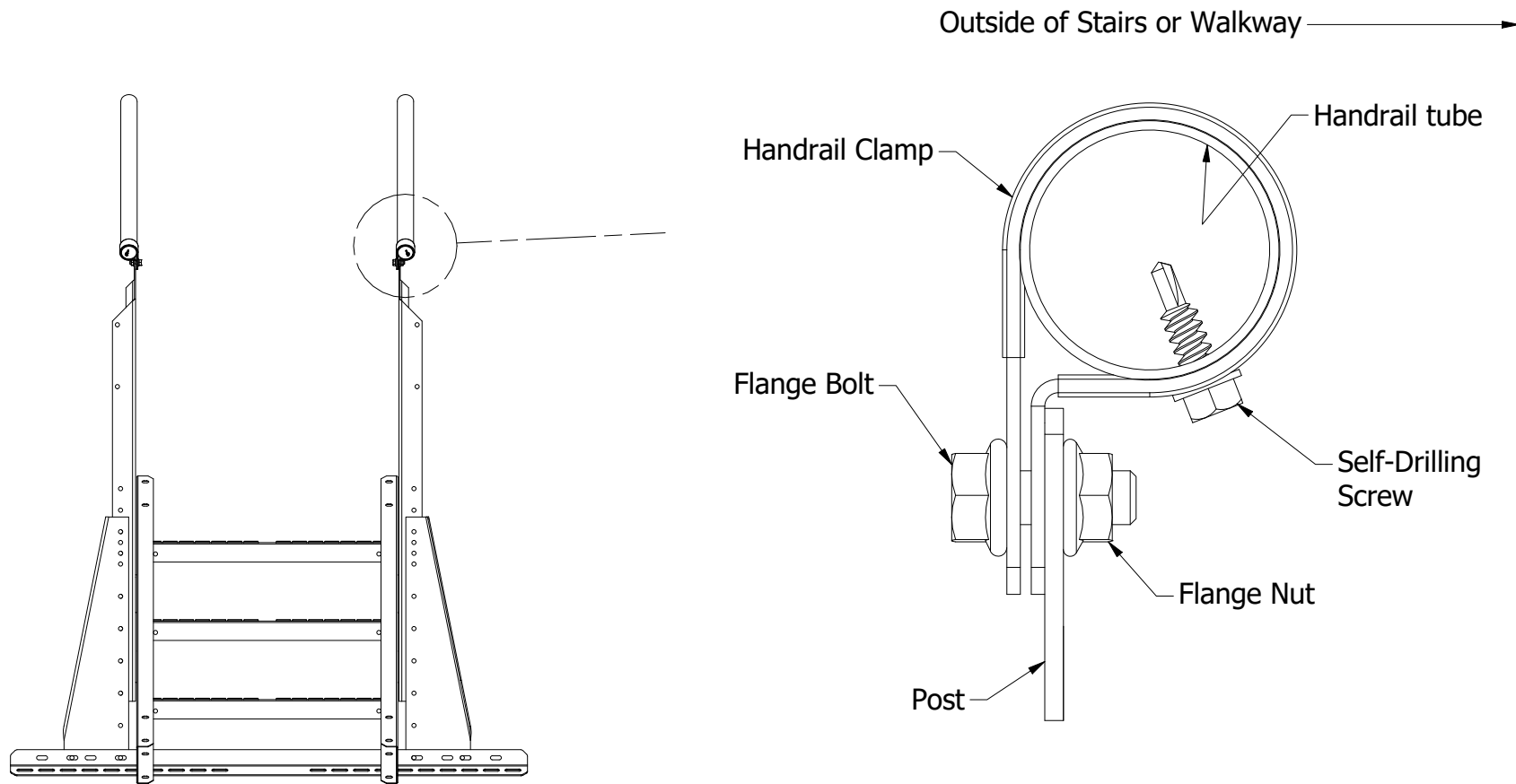
PARTS LIST			
ITEM	QTY	PART NUMBER	DESCRIPTION
16	8	AM-40001	48" kickboard
17	4	AM-40002	24" kickboard



## Handrail Clamp Installation Instructions

Note : Roof Stair is not part of this package, this sheet is only to assist in handrail clamp instructions

- Position the handrail clamp so it is oriented facing outward, and so it does not interfere into the width of the stairs or walkway.
- Insert the bolt through both holes on the handrail clamp first, then push the bolt through the hole in the stair post from the inside. Install the nut on the outside so that the bolt head is on the inside of the stairs.
- Fasten the clamp tightly together so it is closed around the handrail, making sure the post is not between the two tabs.
- Install a self-drilling screw into the handrail clamp and through the handrail. It should be positioned on the outside near the bottom, to minimize contact with the hands.



Roof Stair Example Shown

**Detail of Handrail Clamp Assembly**

# Step 7: Adding the Handrails and Intermediate rails

PARTS LIST			
ITEM	QTY	PART NUMBER	DESCRIPTION
14	16	HRC1500	Handrail Clamp for 1.5 in
15	16	Floor screw	Self tapping screw
23	2	TR1009600	96 in 1 in dia tubing No Swage
24	2	TR1509600	96 in x1.5 in Railing No Swage
20	2	TR1515006	150 in x1.5 in Railing 6 in Swage
21	2	TR1015006	150 in 1 in dia tubing 6in swage

