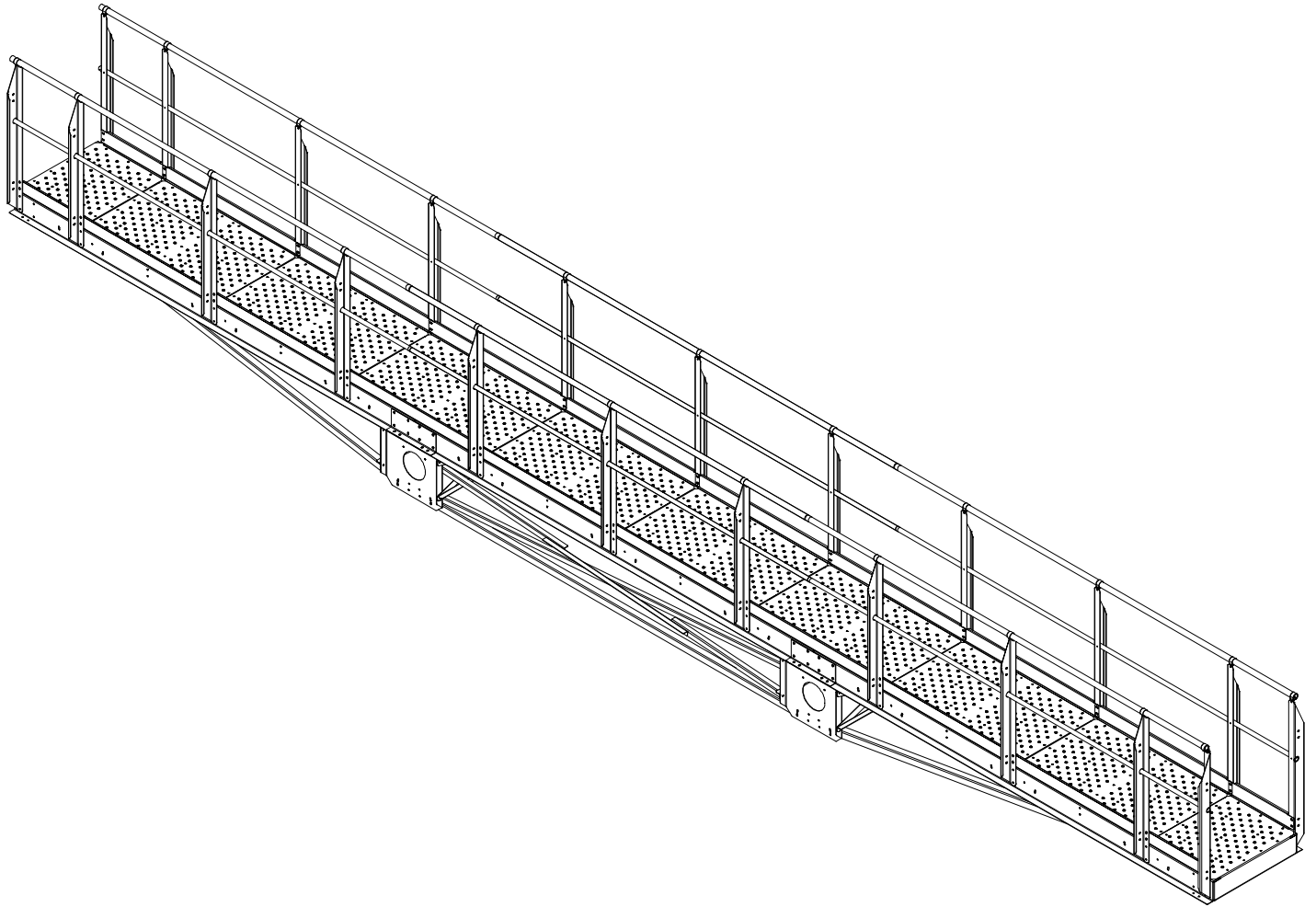


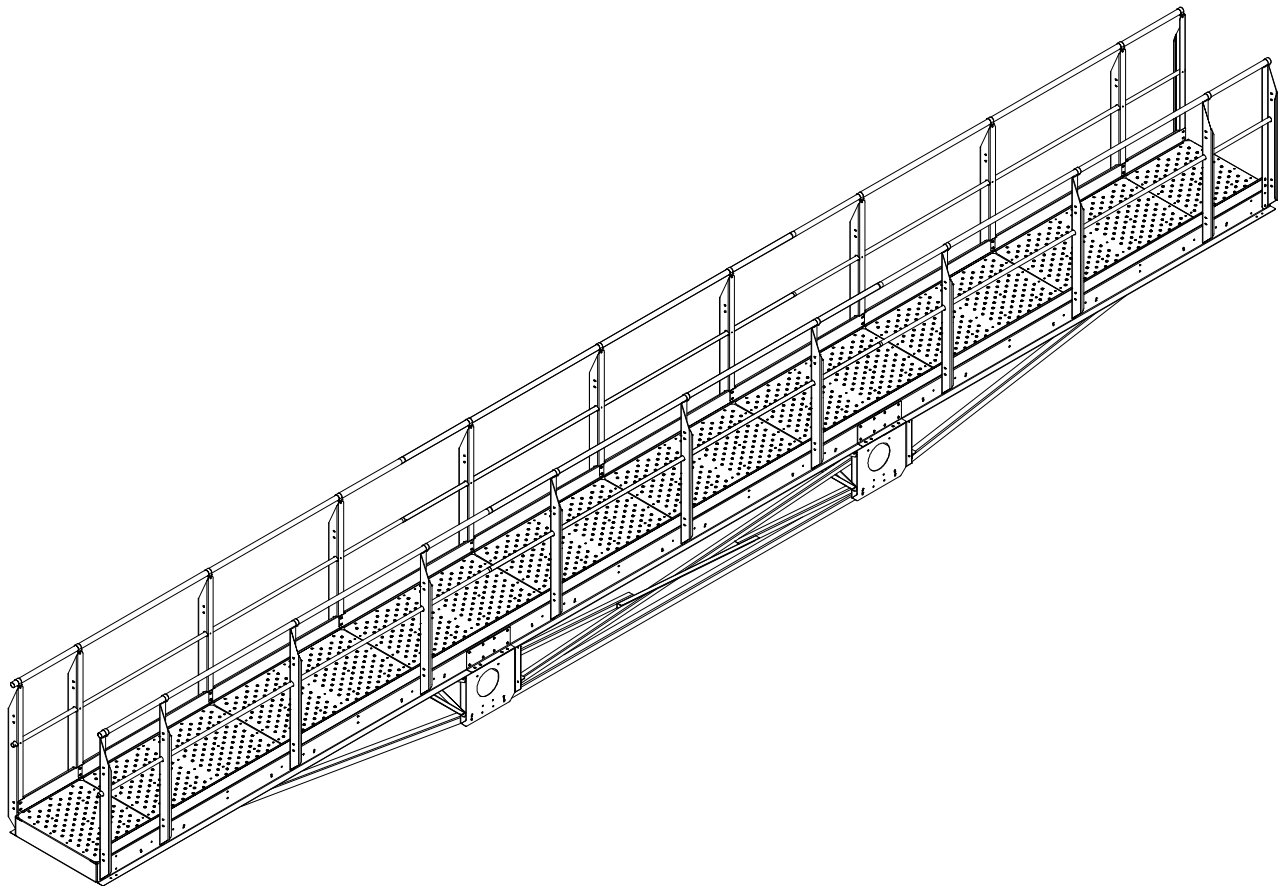
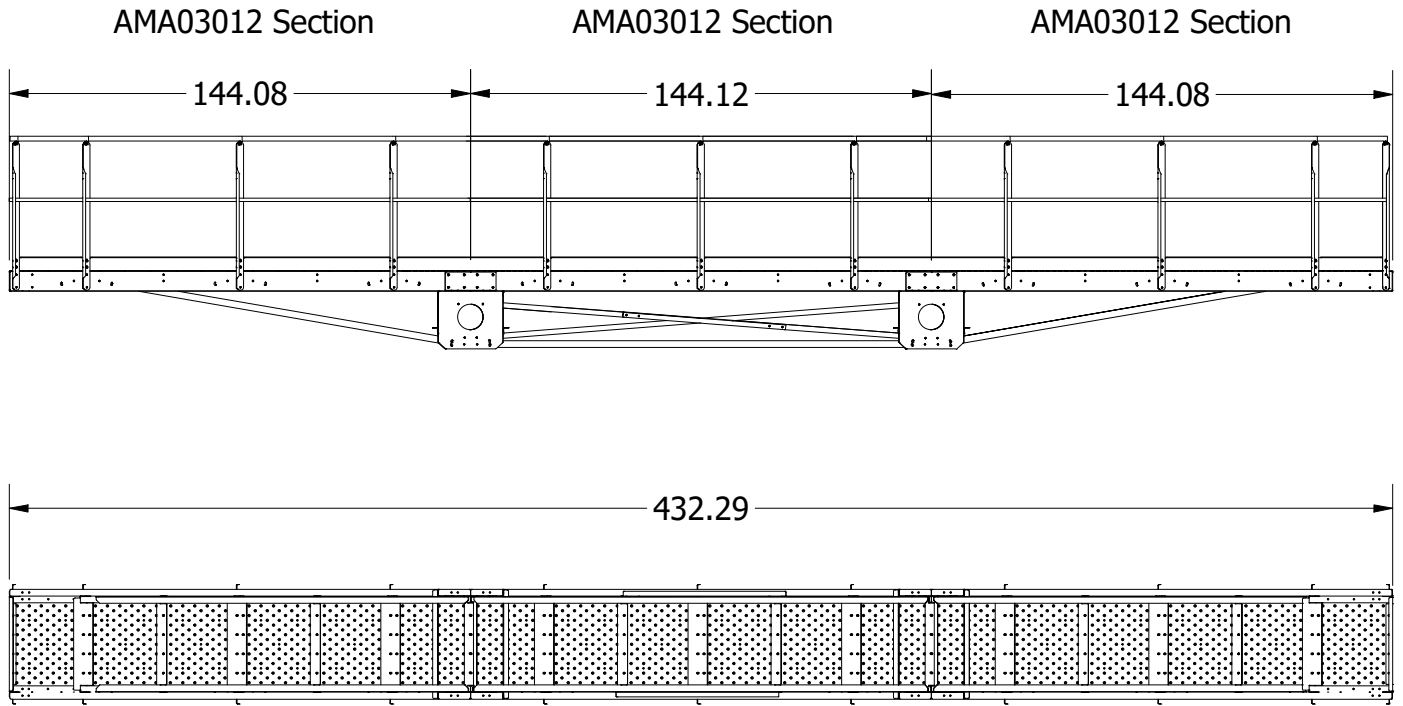
AMA03036

Assembly Instructions



GREENE
GALVANIZED STAIRS

Master Assembly

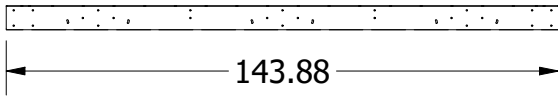


AMA03036 Parts ID

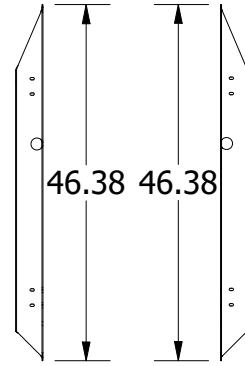
PARTS LIST			
ITEM	QTY	PART NUMBER	DESCRIPTION
1	6	AM-06144	Z Rail, 6" x 2" x 144"
2	2	AM-20001	End Cross Support
3	9	AM-20002	Post Cross Support
4	6	AM-20003	Mid Cross Support
5	2	AM-20004	Splice Cross Support
6	11	AM-30001	Left Post
7	11	AM-30002	Right Post
8	16	AM-40001	Kickboard, 48"
9	4	AM-40002	Kickboard, 24"
10	4	AM-50001	Z Rail Splice Plate
11	4	AM-50002	Truss Plate 24" x 24", 8" hole
12	4	AM-50003	Truss Plate Cross Brace
13	8	AM-50004	Truss Plate X Brace
14	2	AM-62430	Deck Tread, 24" x 30"
15	8	AM-64830	Deck Tread, 48" x 30"
16	4	AM-80002	Angle,Tie Brace,12' manwalk 118
17	2	AM-80003	Horizontal Truss Tie 12'
18	2	AM-80007	Truss Tie Brace, 142"
19	6	AM-80008	Short 51" Brace
20	2	TR1014400	144 in 1 in dia tubing no swage
21	2	TR1514400	144 in x1.5 in Railing No Swage
22	4	TR1015006	150 in 1 in dia tubing 6in swage
23	4	TR1515006	150 in x1.5 in Railing 6 in Swage
24	8	HRC1500	Handrail Clamp for 1.5 in

AMA03036 Parts ID

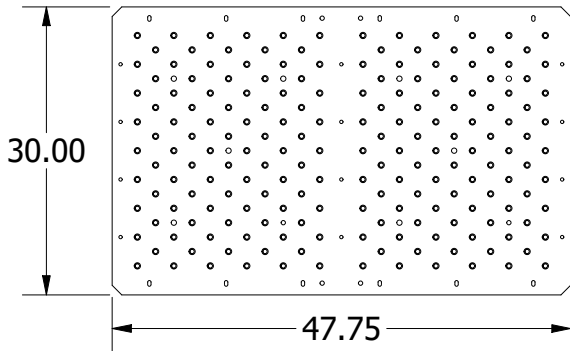
AM-06144



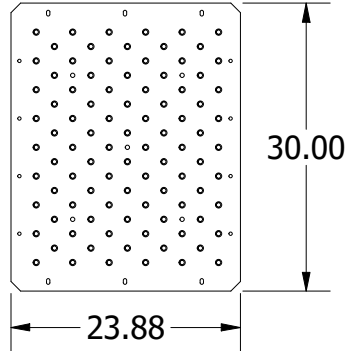
AM-30001 AM-30002



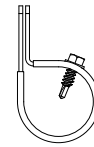
AM-64830



AM-62430

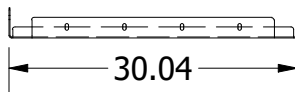


HRC1500

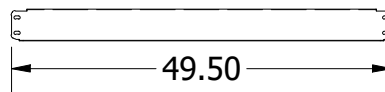


FLOOR SCREW

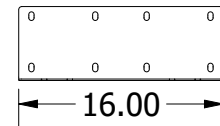
AM-20001



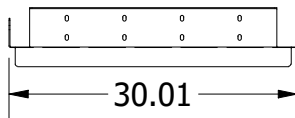
AM-40001



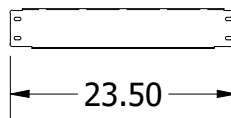
AM-50001



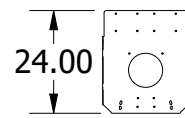
AM-20002



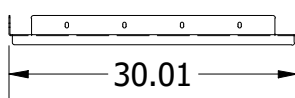
AM-40002



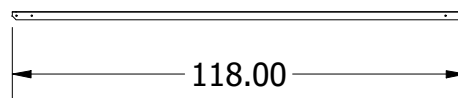
AM-50002



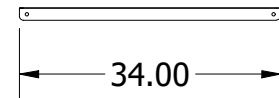
AM-20003



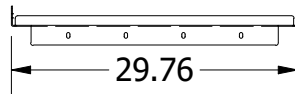
AM-80002



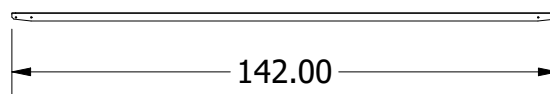
AM-50003



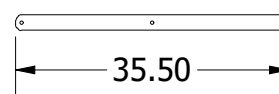
AM-20004



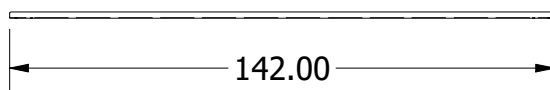
AM-80003



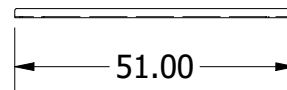
AM-50004



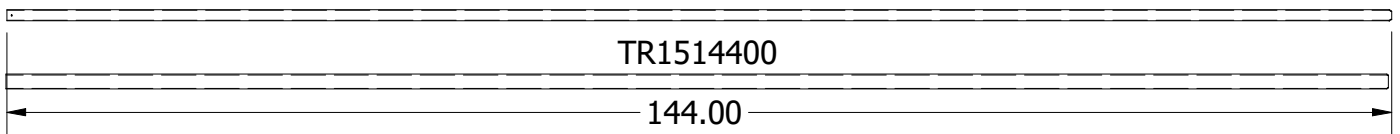
AM-80007



AM-80008



TR1014400



TR1514400

144.00

TR1015006

TR1515006

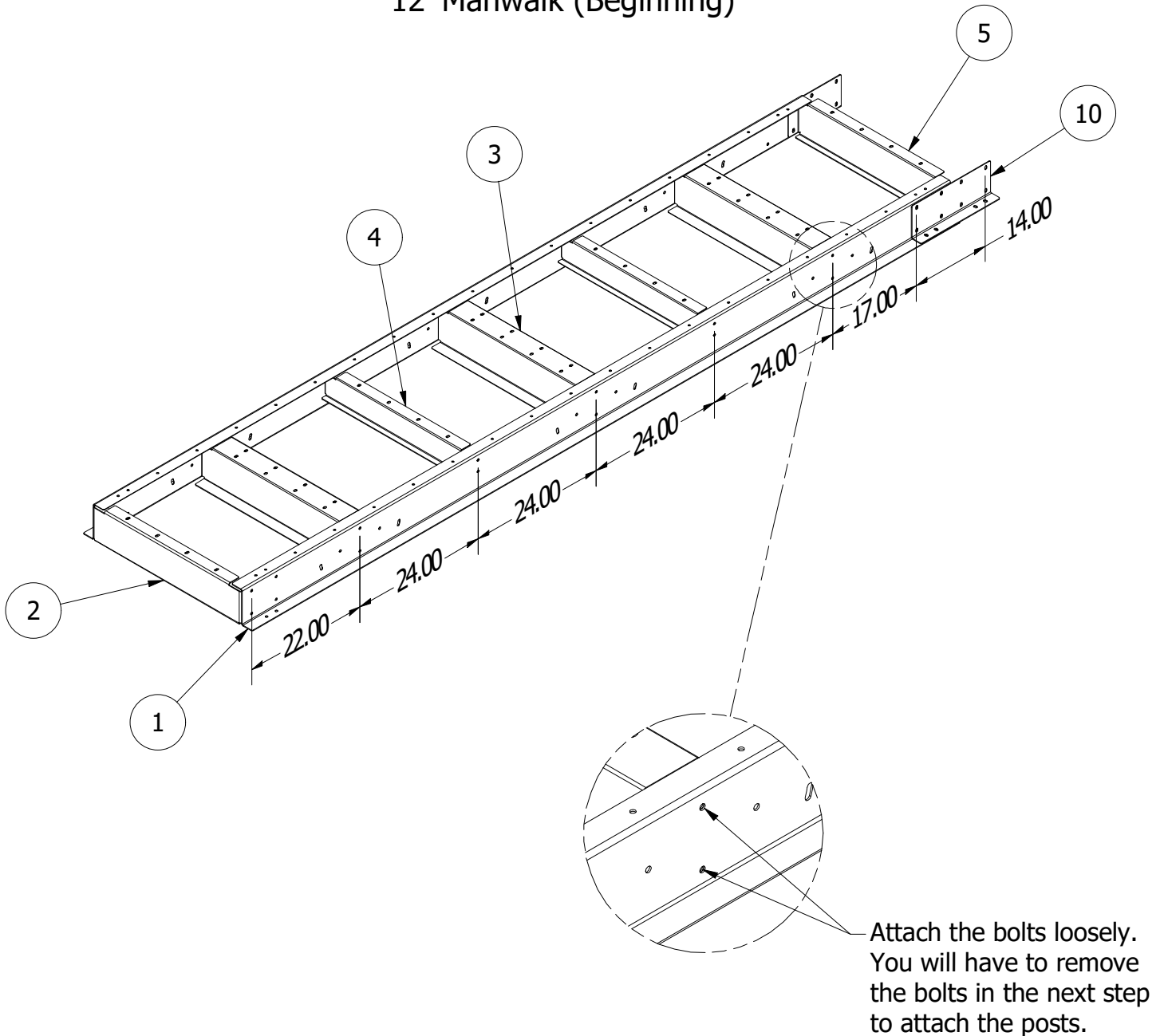
150.00

All units in inches

Adding Cross Support to Side Rails

PARTS LIST			
ITEM	QTY	PART NUMBER	DESCRIPTION
1	2	AM-06144	Z Rail, 6" x 2" x 144"
2	1	AM-20001	End Cross Support
3	3	AM-20002	Post Cross Support
4	2	AM-20003	Mid Cross Support
5	1	AM-20004	Splice Cross Support
10	2	AM-50001	Z Rail Splice Plate

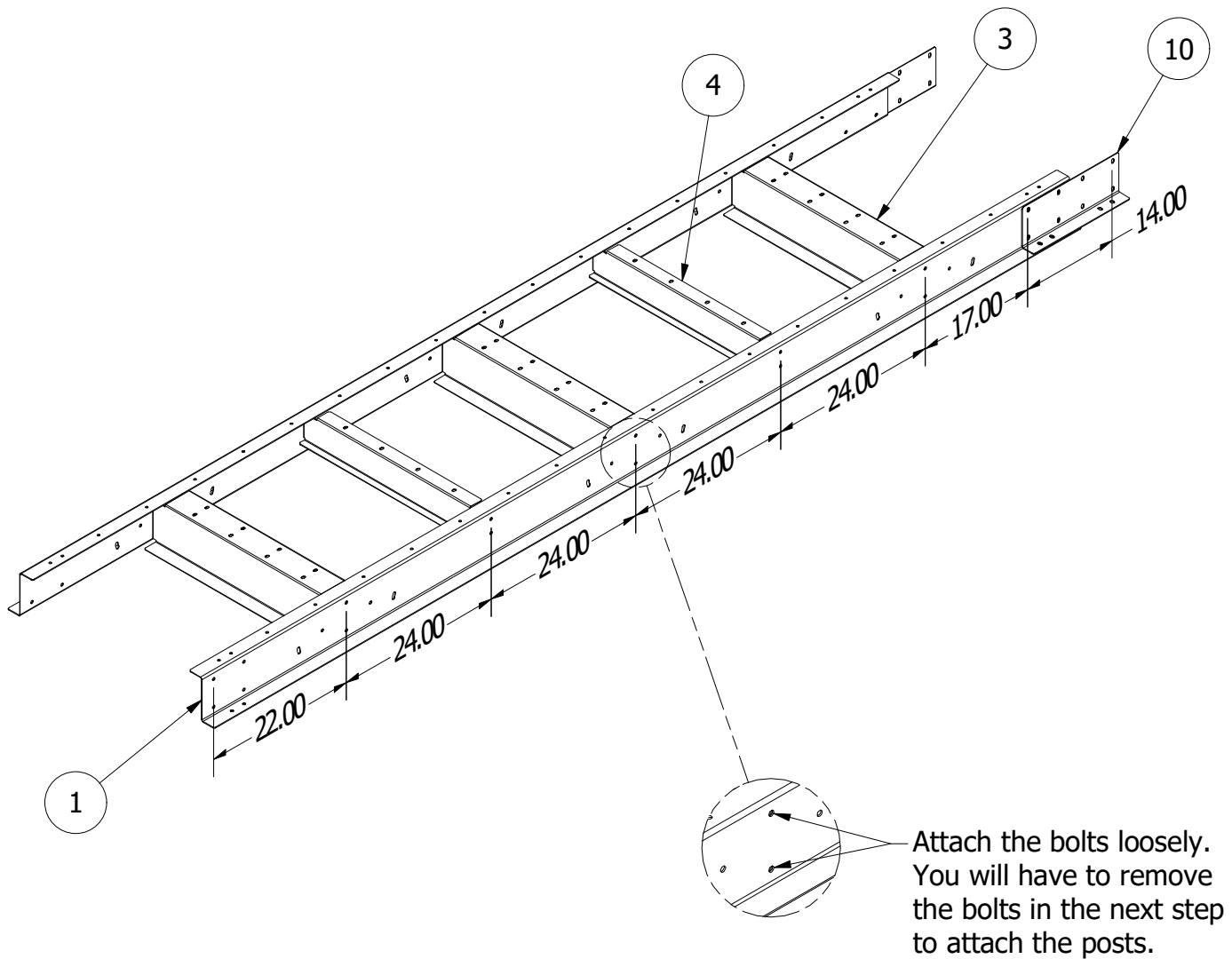
12' Manwalk (Beginning)



Adding Cross Support to Side Rails

PARTS LIST			
ITEM	QTY	PART NUMBER	DESCRIPTION
1	2	AM-06144	Z Rail, 6" x 2" x 144"
3	3	AM-20002	Post Cross Support
4	2	AM-20003	Mid Cross Support
10	2	AM-50001	Z Rail Splice Plate

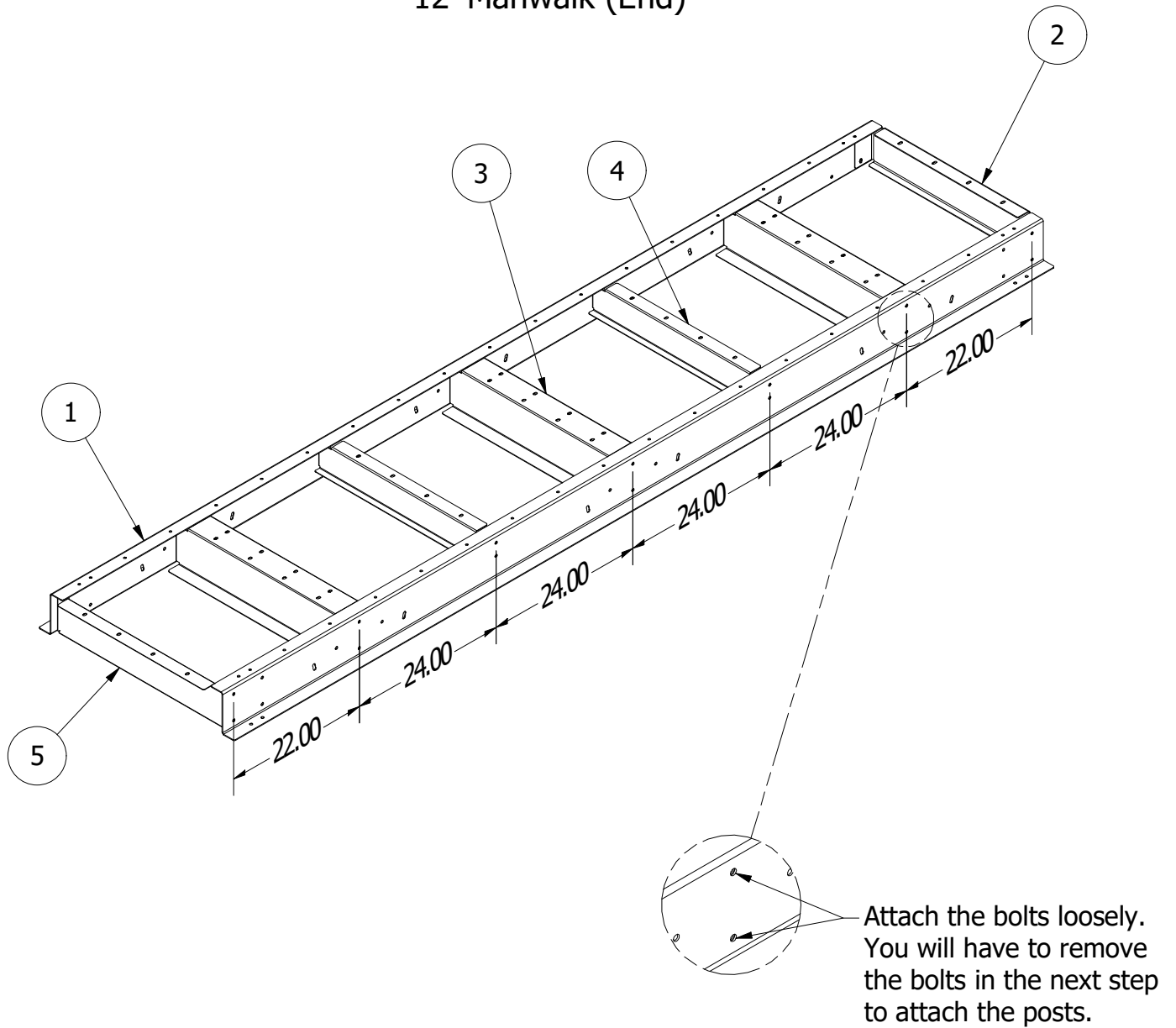
12' Manwalk (Intermediate)



Adding Cross Support to Side Rails

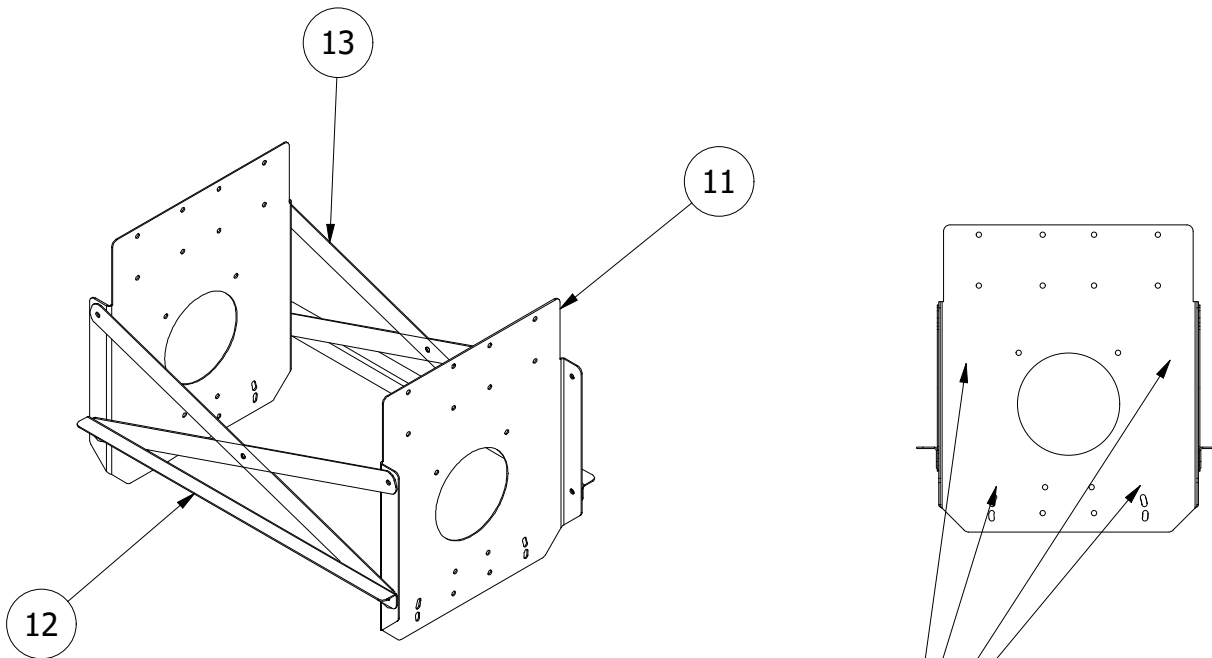
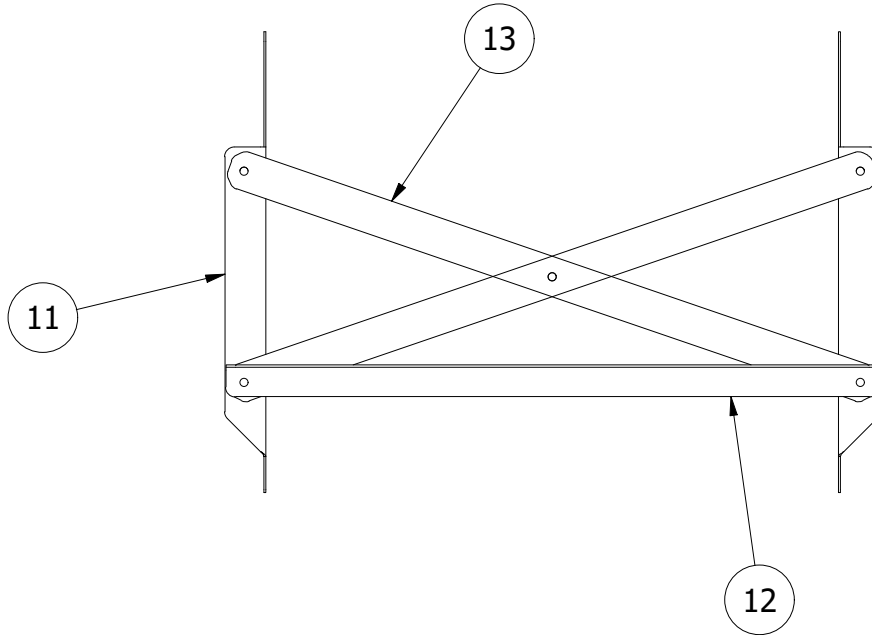
PARTS LIST			
ITEM	QTY	PART NUMBER	DESCRIPTION
1	2	AM-06144	Z Rail, 6" x 2" x 144"
2	1	AM-20001	End Cross Support
3	3	AM-20002	Post Cross Support
4	2	AM-20003	Mid Cross Support
5	1	AM-20004	Splice Cross Support

12' Manwalk (End)



Adding Truss Bracing

PARTS LIST			
ITEM	QTY	PART NUMBER	DESCRIPTION
11	2	AM-50002	Truss Plate 24" x 24", 8" hole
12	2	AM-50003	Truss Plate Cross Brace
13	4	AM-50004	Truss Plate X Brace

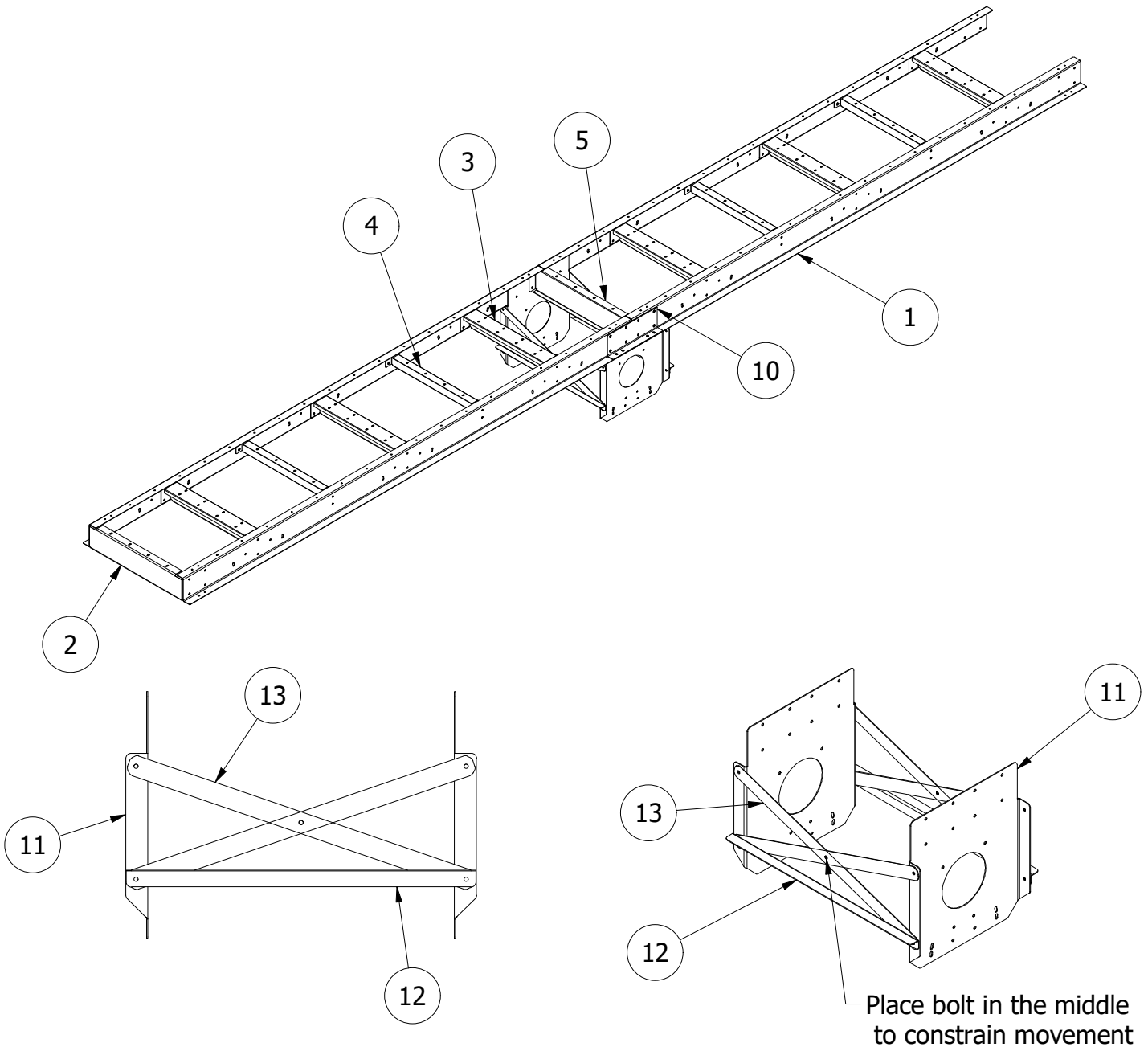


Field Drill for AM-80007 and
AM-80008 connections
(see page 11)

Adding Bracing to Side Rails

PARTS LIST			
ITEM	QTY	PART NUMBER	DESCRIPTION
1	4	AM-06144	Z Rail, 6" x 2" x 144"
2	1	AM-20001	End Cross Support
3	6	AM-20002	Post Cross Support
4	4	AM-20003	Mid Cross Support
5	1	AM-20004	Splice Cross Support
10	2	AM-50001	Z Rail Splice Plate
11	2	AM-50002	Truss Plate 24" x 24", 8" hole
12	2	AM-50003	Truss Plate Cross Brace
13	4	AM-50004	Truss Plate X Brace

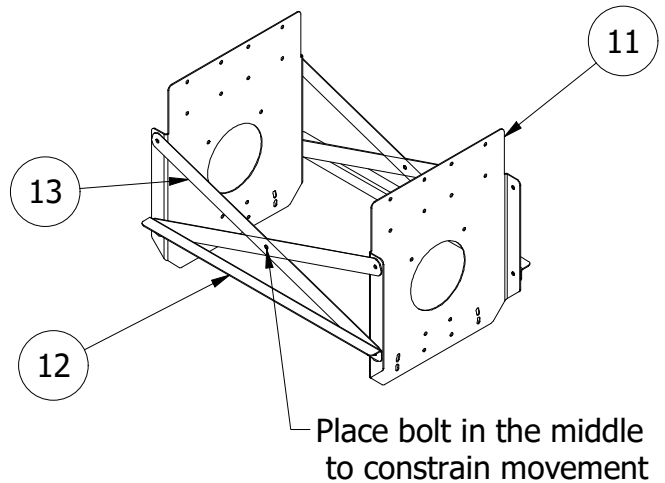
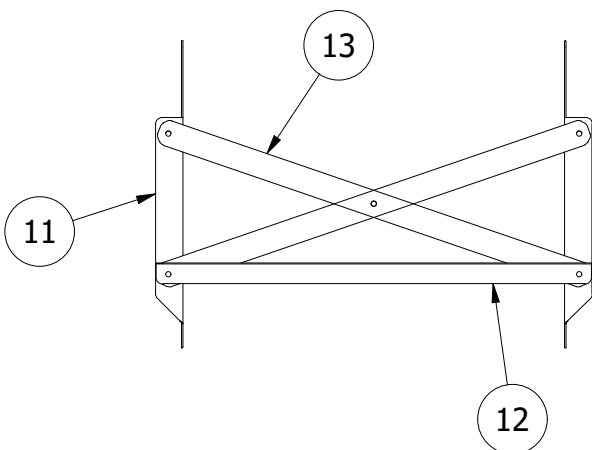
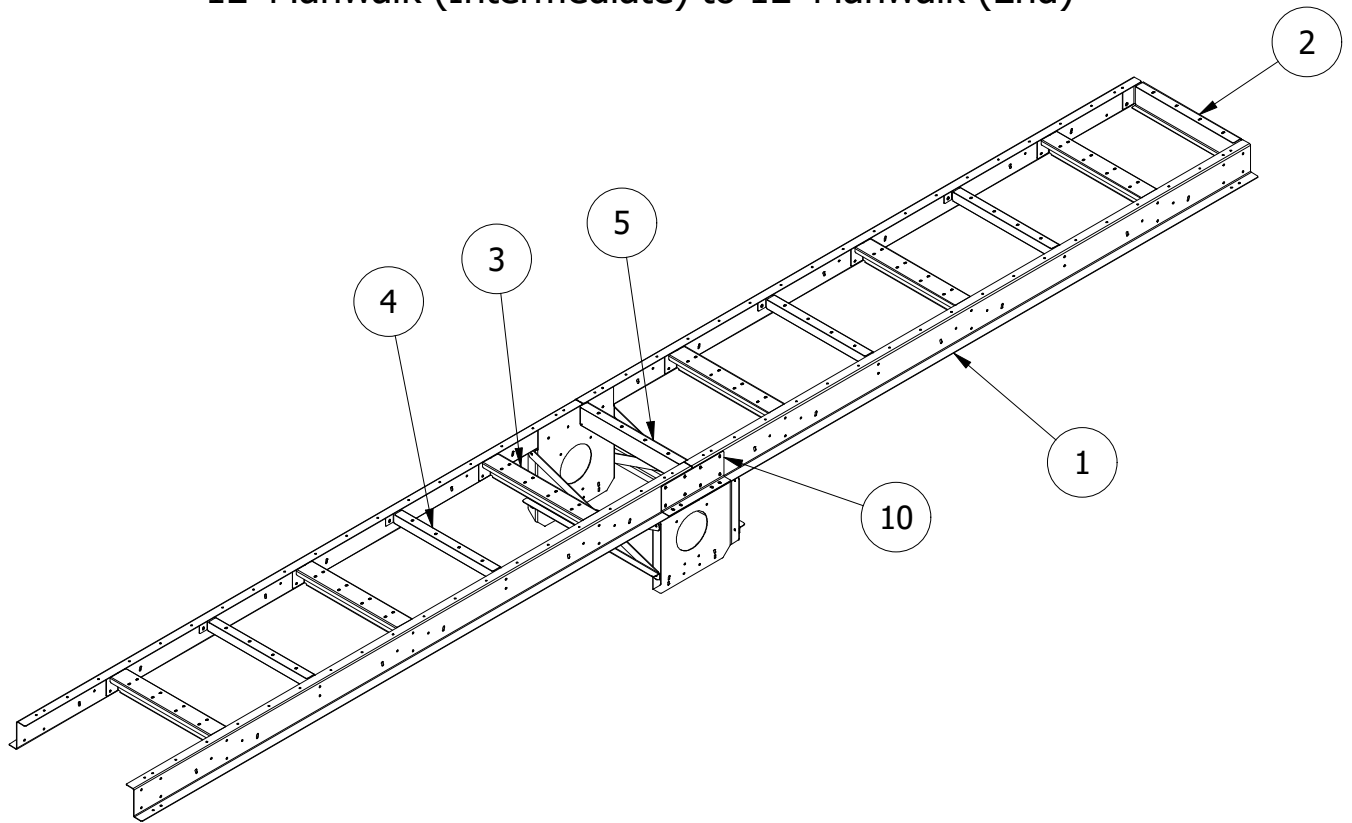
12' Manwalk (Beginning) to 12' Manwalk (Intermediate)



Adding Bracing to Side Rails

PARTS LIST			
ITEM	QTY	PART NUMBER	DESCRIPTION
1	4	AM-06144	Z Rail, 6" x 2" x 144"
2	1	AM-20001	End Cross Support
3	6	AM-20002	Post Cross Support
4	4	AM-20003	Mid Cross Support
5	1	AM-20004	Splice Cross Support
10	2	AM-50001	Z Rail Splice Plate
11	2	AM-50002	Truss Plate 24" x 24", 8" hole
12	2	AM-50003	Truss Plate Cross Brace
13	4	AM-50004	Truss Plate X Brace

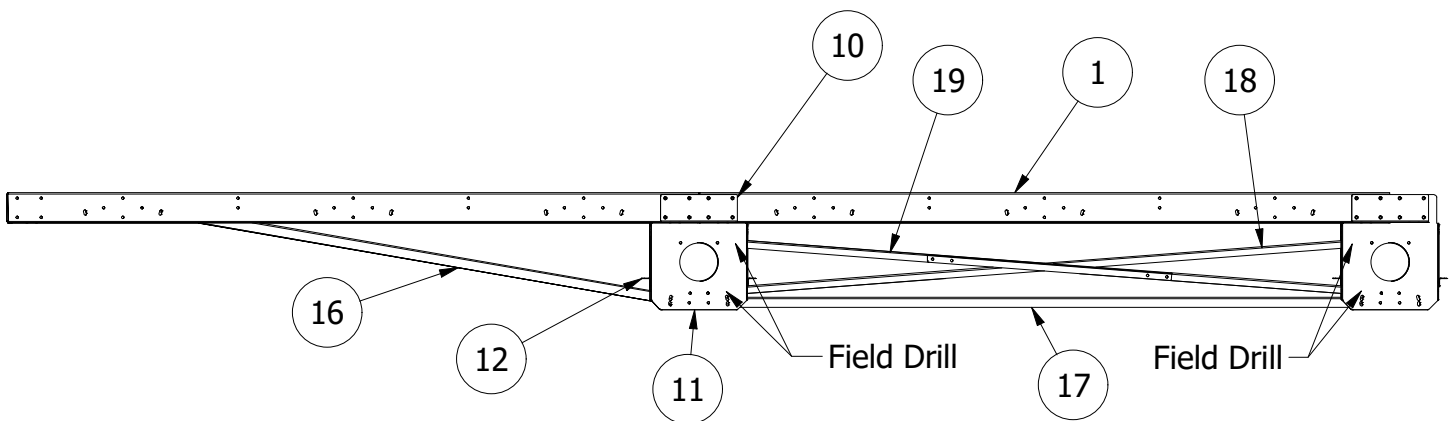
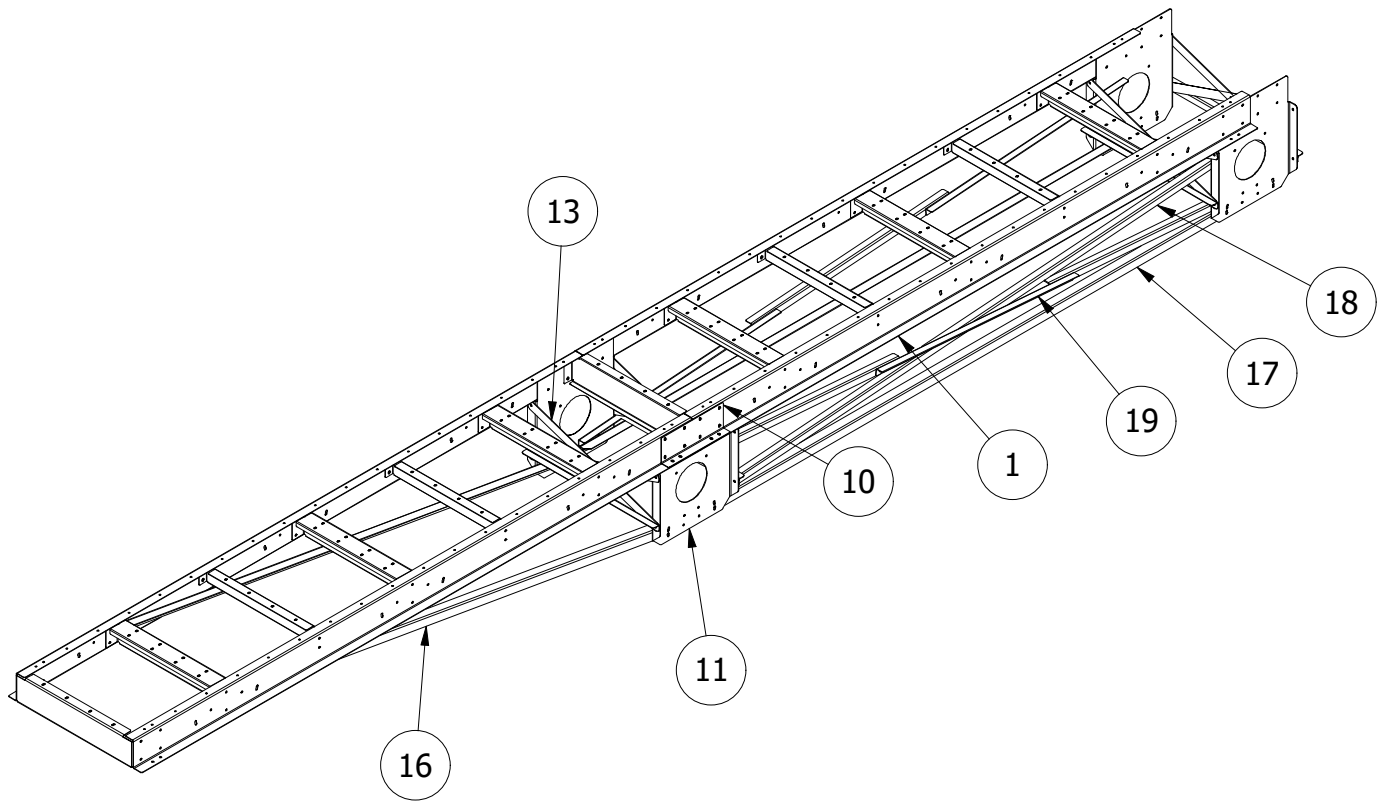
12' Manwalk (Intermediate) to 12' Manwalk (End)



Adding Bracing to Side Rails

PARTS LIST			
ITEM	QTY	PART NUMBER	DESCRIPTION
1	4	AM-06144	Z Rail, 6" x 2" x 144"
10	4	AM-50001	Z Rail Splice Plate
11	4	AM-50002	Truss Plate 24" x 24", 8" hole
12	4	AM-50003	Truss Plate Cross Brace
13	8	AM-50004	Truss Plate X Brace
16	2	AM-80002	Angle, Tie Brace, 12' manwalk 118
17	2	AM-80003	Horizontal Truss Tie 12'
18	2	AM-80007	Truss Tie Brace, 142"
19	6	AM-80008	Short 51" Brace

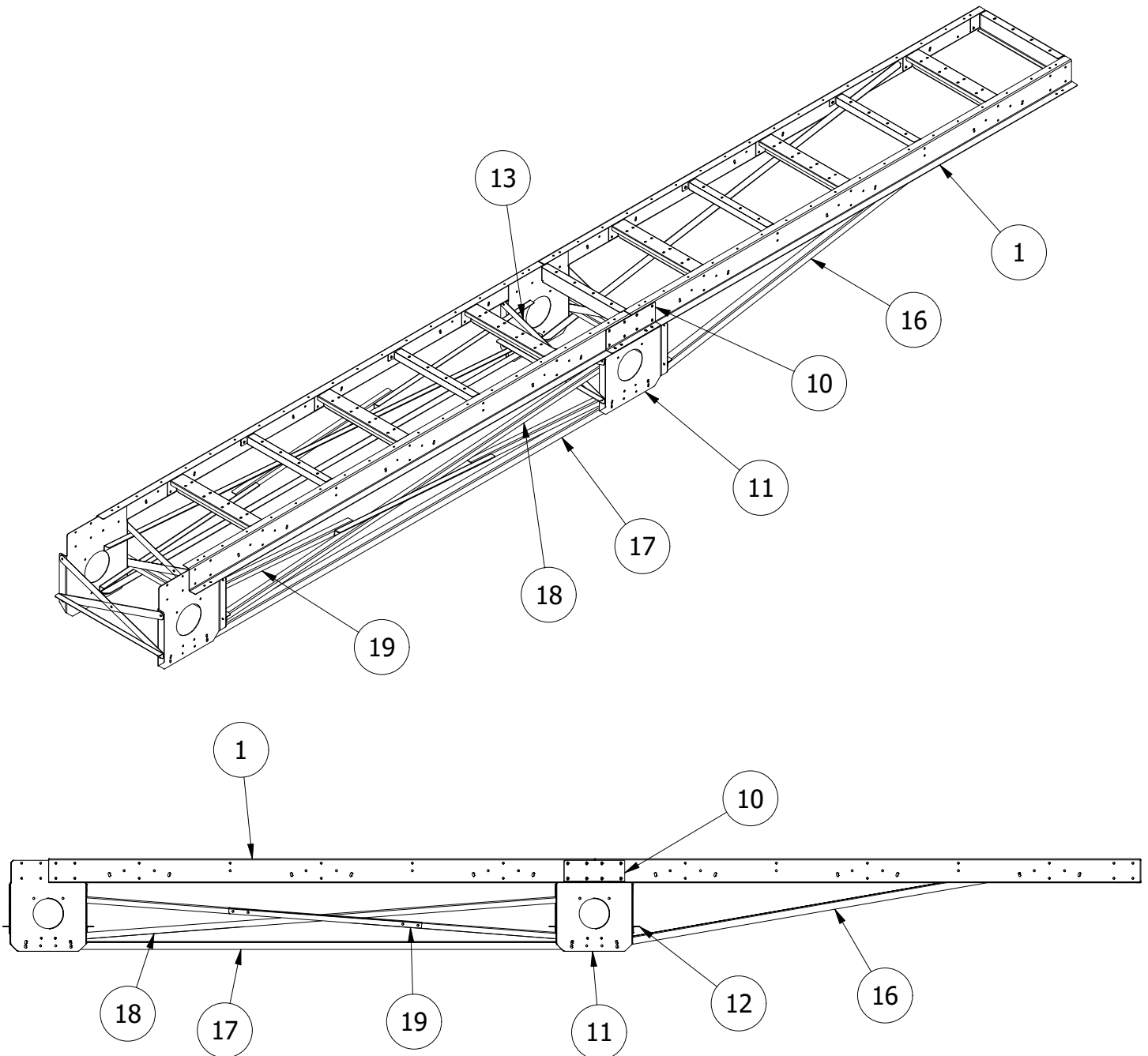
12' Manwalk (Beginning) to 12' Manwalk (Intermediate)



Adding Bracing to Side Rails

PARTS LIST			
ITEM	QTY	PART NUMBER	DESCRIPTION
1	4	AM-06144	Z Rail, 6" x 2" x 144"
10	4	AM-50001	Z Rail Splice Plate
11	4	AM-50002	Truss Plate 24" x 24", 8" hole
12	4	AM-50003	Truss Plate Cross Brace
13	8	AM-50004	Truss Plate X Brace
16	2	AM-80002	Angle, Tie Brace, 12' manwalk 118
17	2	AM-80003	Horizontal Truss Tie 12'
18	2	AM-80007	Truss Tie Brace, 142"
19	6	AM-80008	Short 51" Brace

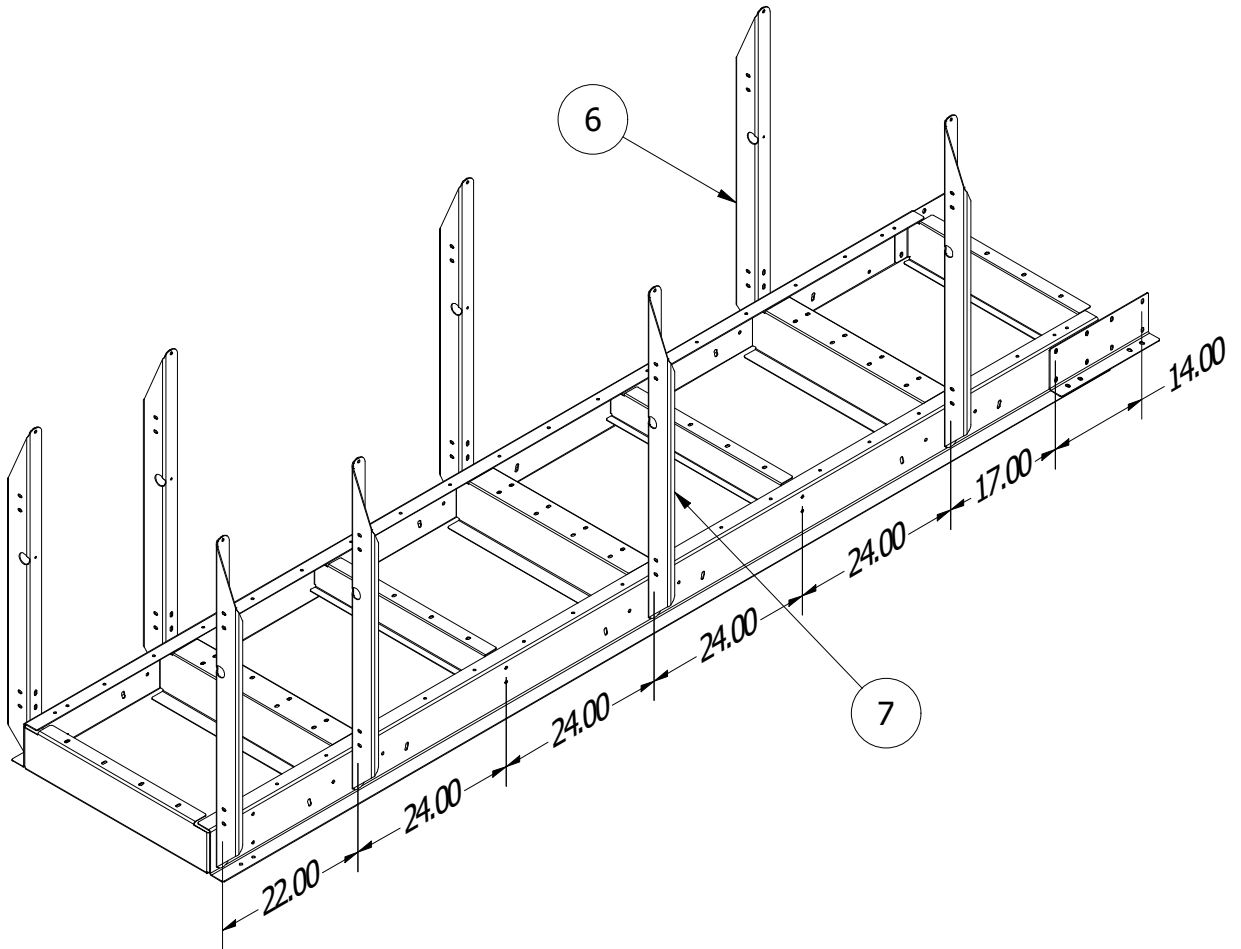
12' Manwalk (Intermediate) to 12' Manwalk (End)



Adding Left and Right Posts

PARTS LIST			
ITEM	QTY	PART NUMBER	DESCRIPTION
6	4	AM-30001	Left Post
7	4	AM-30002	Right Post

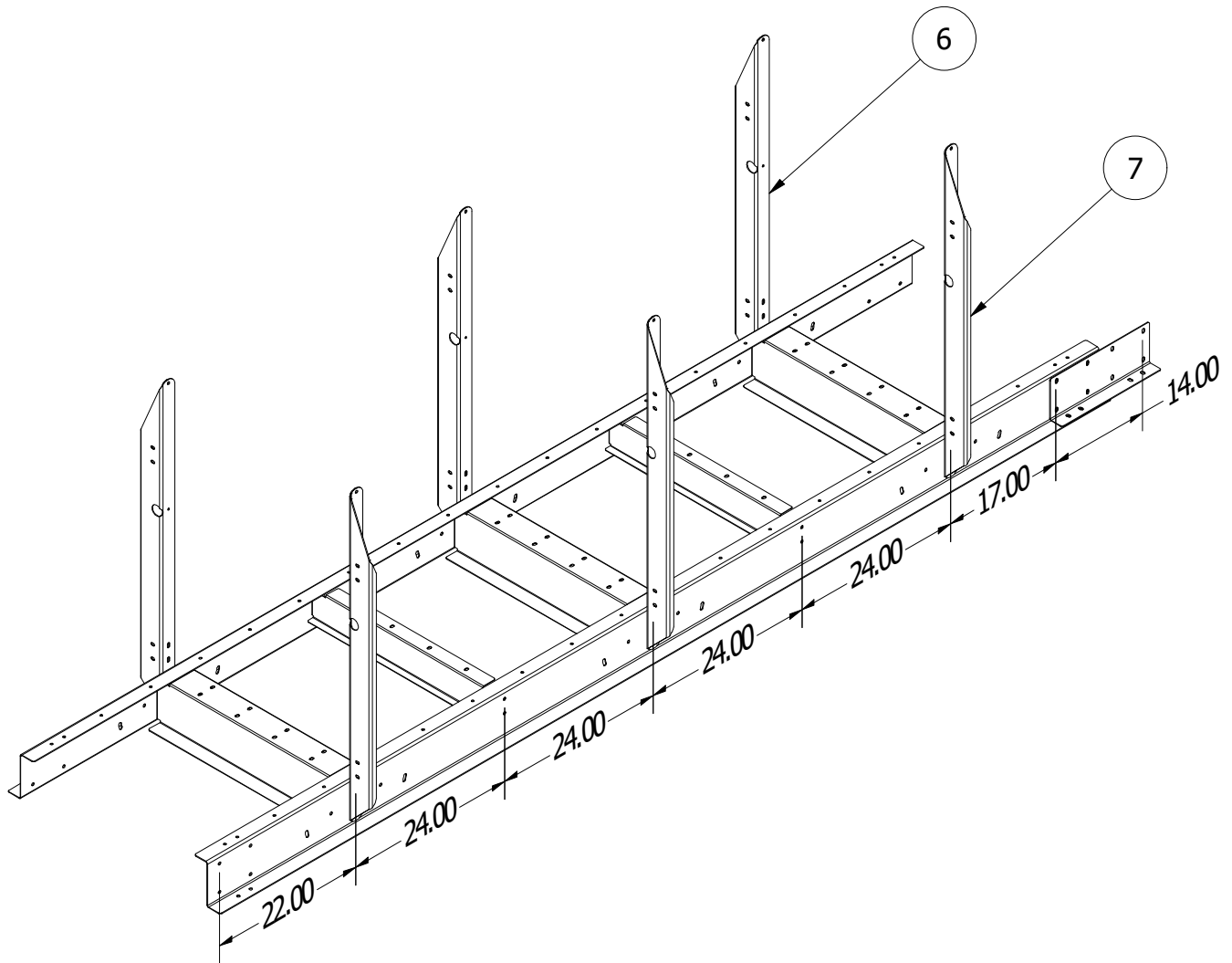
12' Manwalk (Beginning)



Adding Left and Right Posts

PARTS LIST			
ITEM	QTY	PART NUMBER	DESCRIPTION
6	3	AM-30001	Left Post
7	3	AM-30002	Right Post

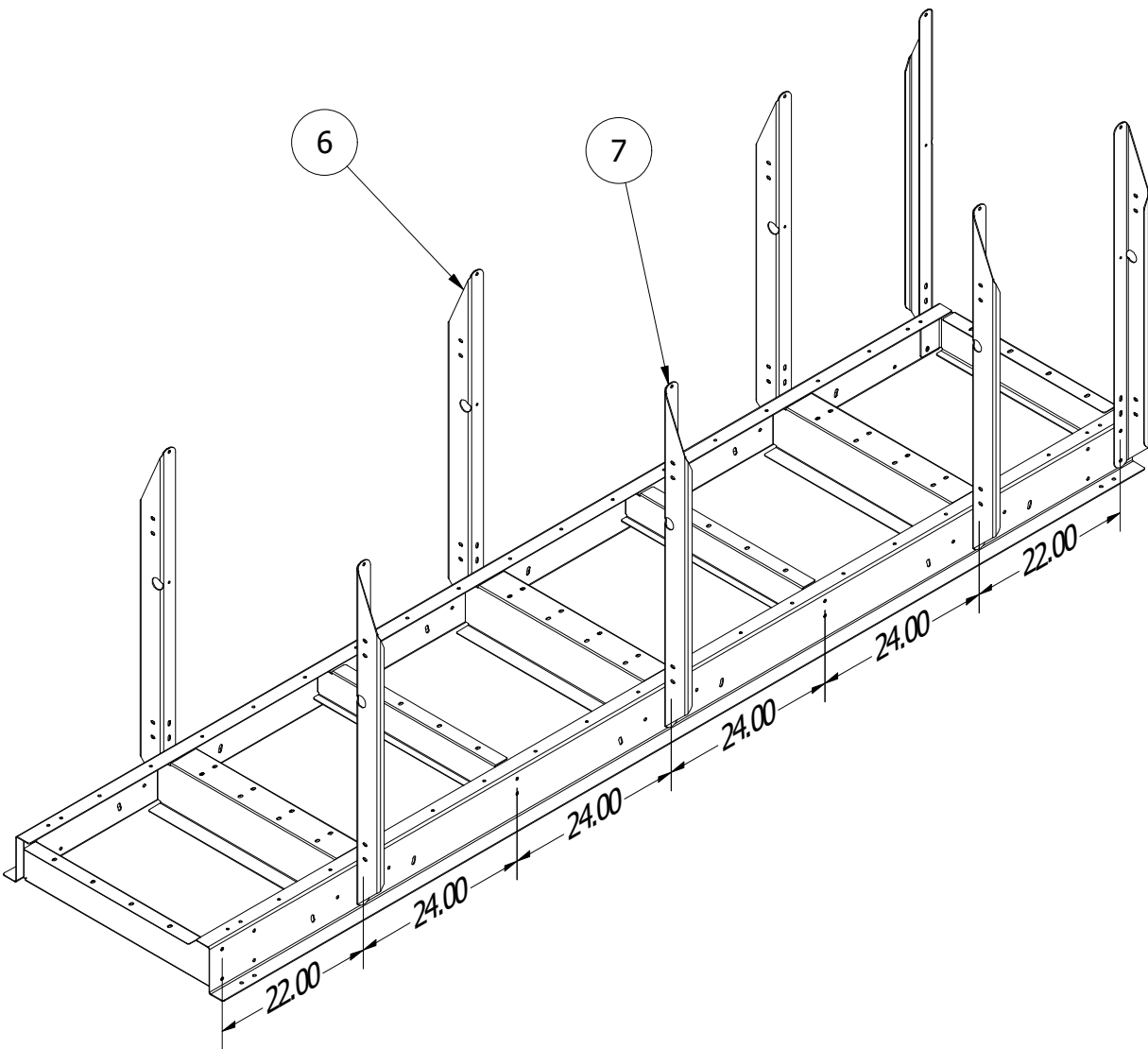
12' Manwalk (Intermediate)



Adding Left and Right Posts

PARTS LIST			
ITEM	QTY	PART NUMBER	DESCRIPTION
6	4	AM-30001	Left Post
7	4	AM-30002	Right Post

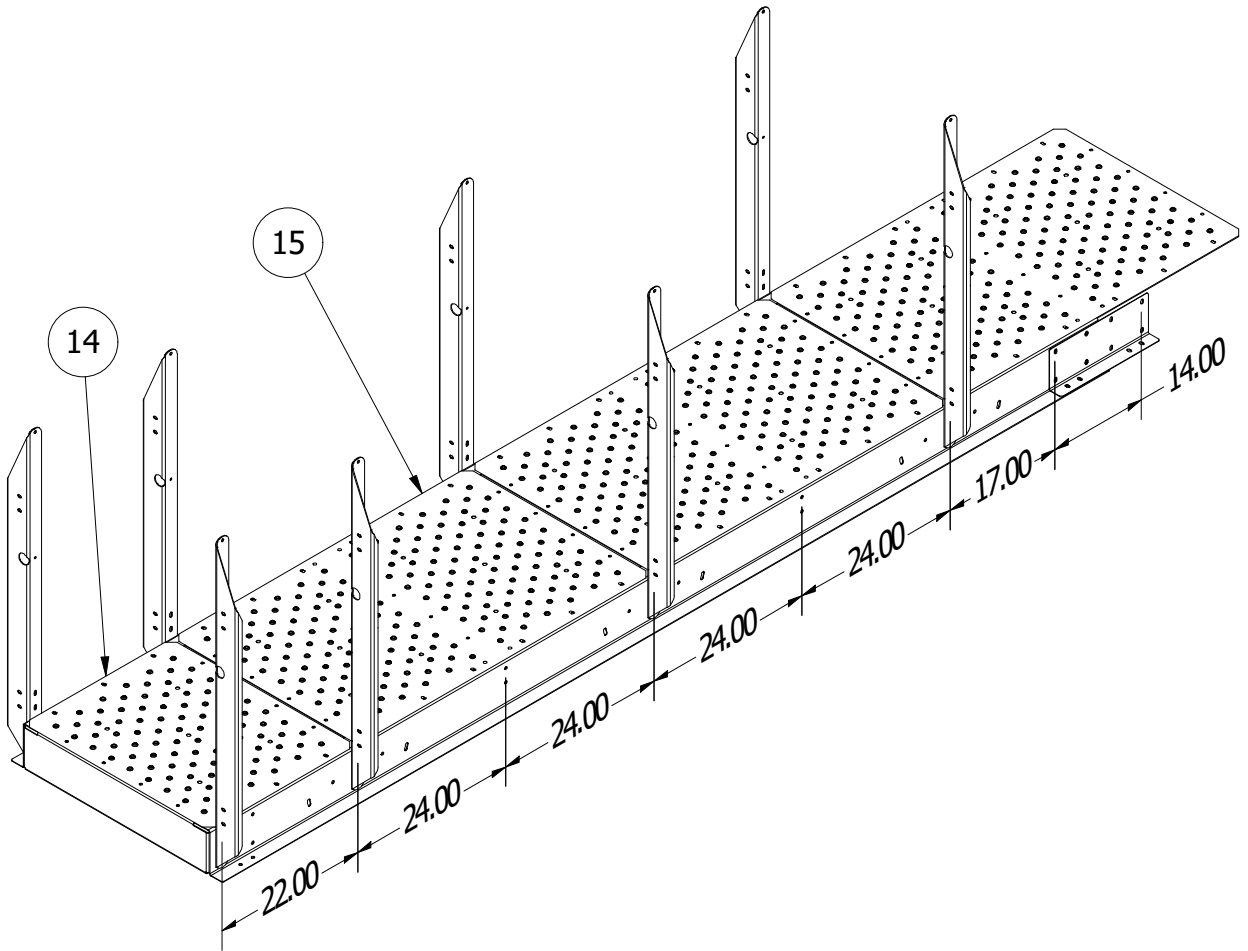
12' Manwalk (End)



Adding Decks

PARTS LIST			
ITEM	QTY	PART NUMBER	DESCRIPTION
14	1	AM-62430	Deck Tread, 24" x 30"
15	3	AM-64830	Deck Tread, 48" x 30"

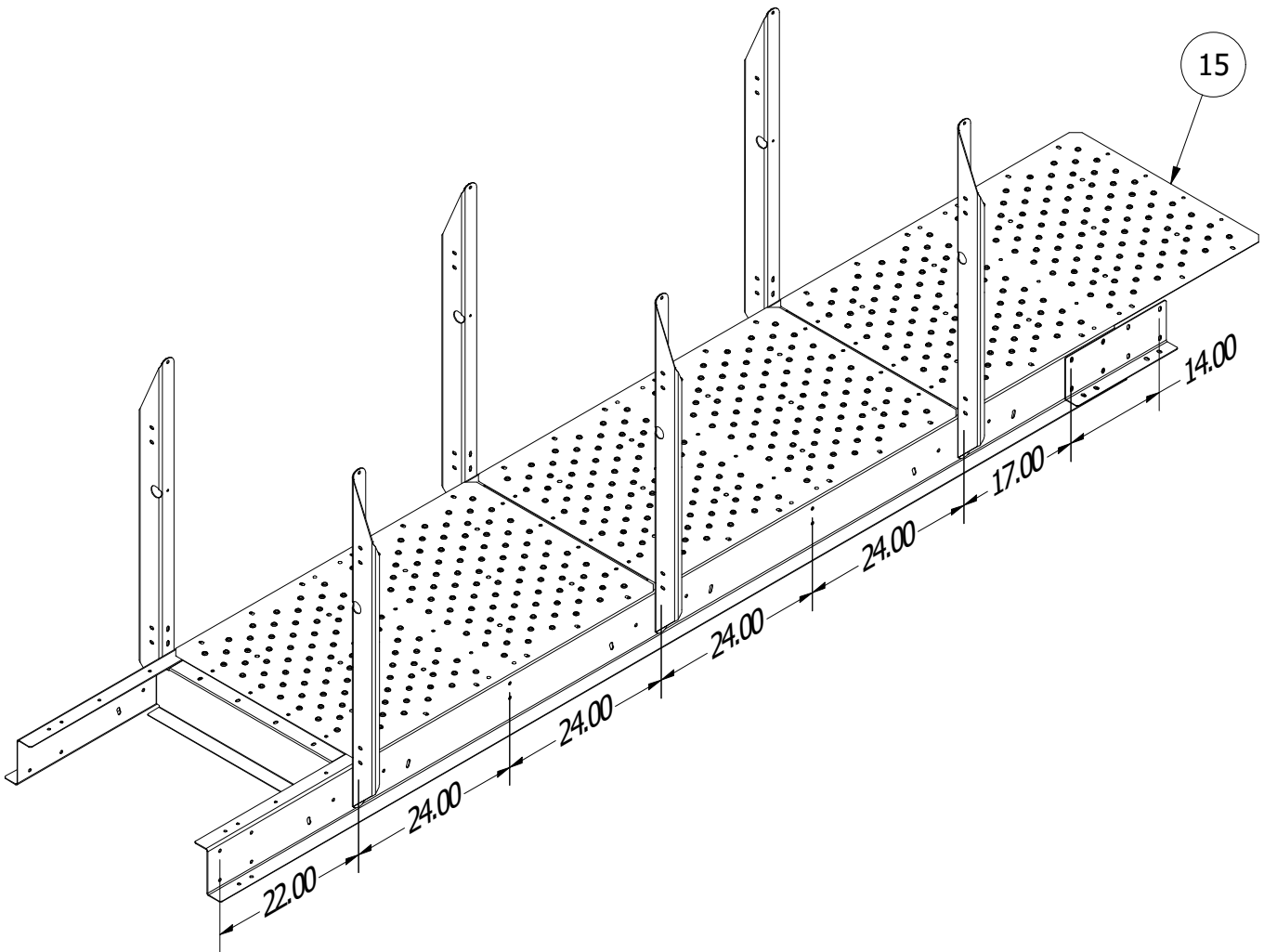
12' Manwalk (Beginning)



Adding Decks

PARTS LIST			
ITEM	QTY	PART NUMBER	DESCRIPTION
15	3	AM-64830	Deck Tread, 48" x 30"

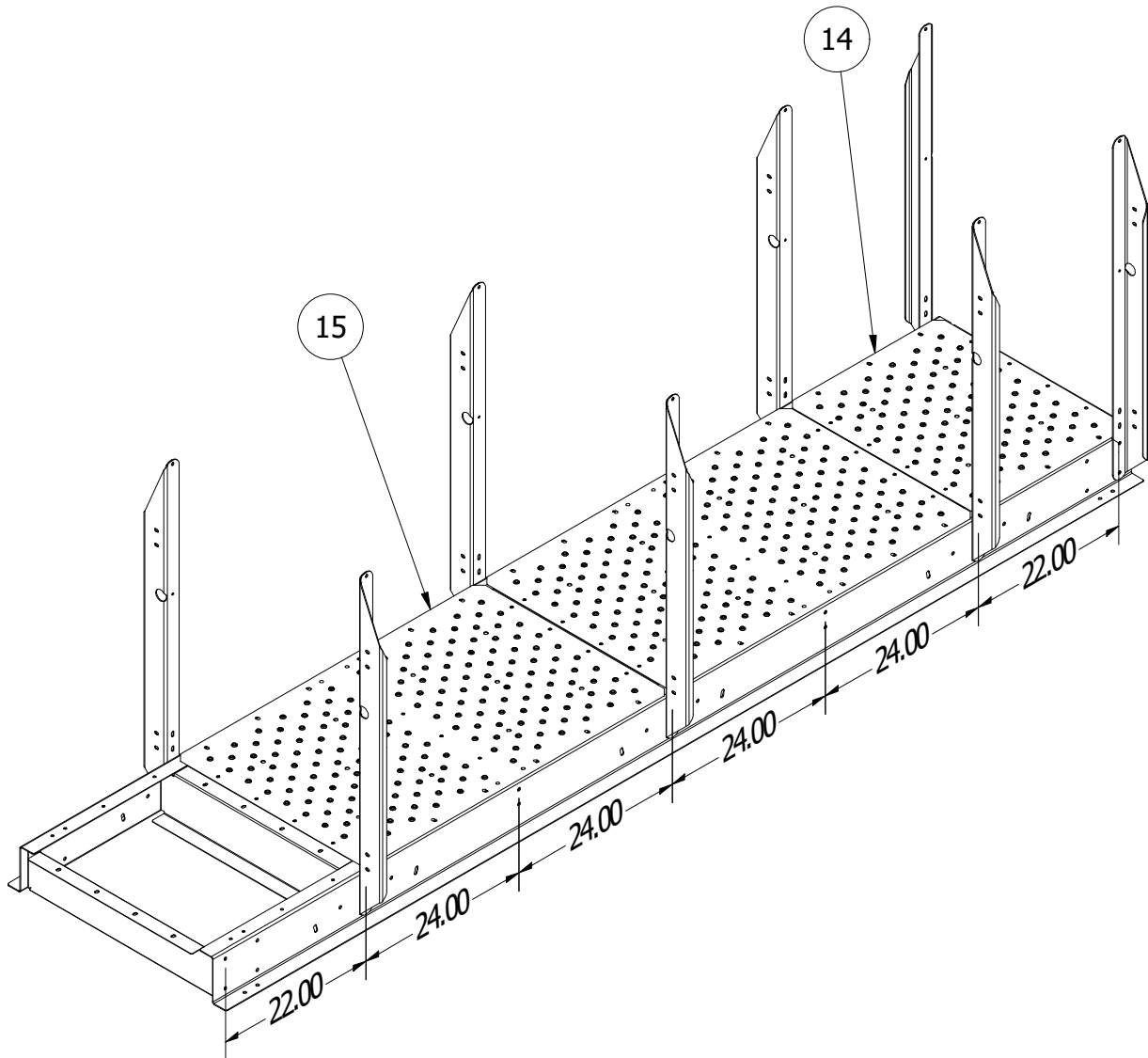
12' Manwalk (Intermediate)



Adding Decks

PARTS LIST			
ITEM	QTY	PART NUMBER	DESCRIPTION
14	1	AM-62430	Deck Tread, 24" x 30"
15	2	AM-64830	Deck Tread, 48" x 30"

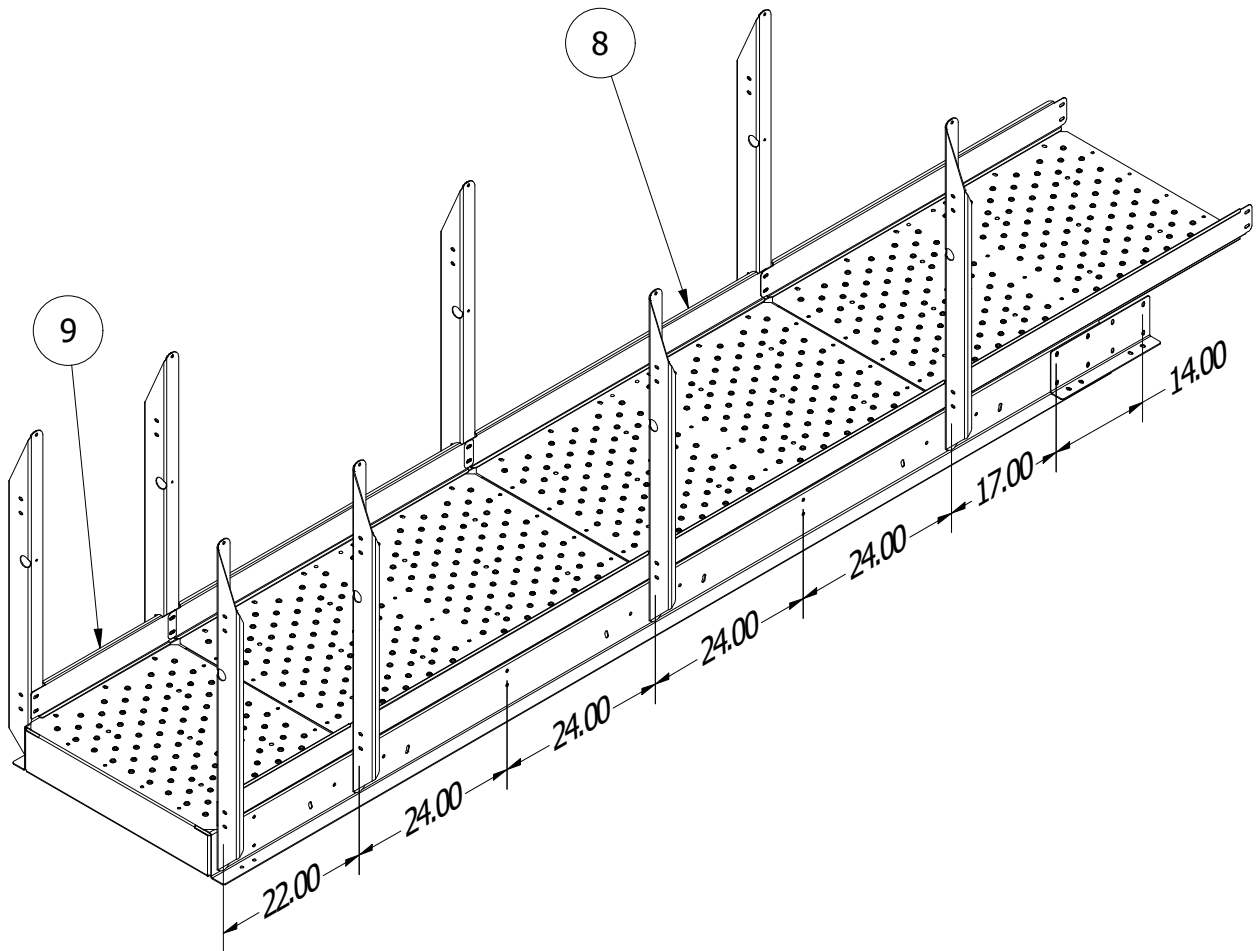
12' Manwalk (End)



Adding Kickboards

PARTS LIST			
ITEM	QTY	PART NUMBER	DESCRIPTION
8	6	AM-40001	Kickboard, 48"
9	2	AM-40002	Kickboard, 24"

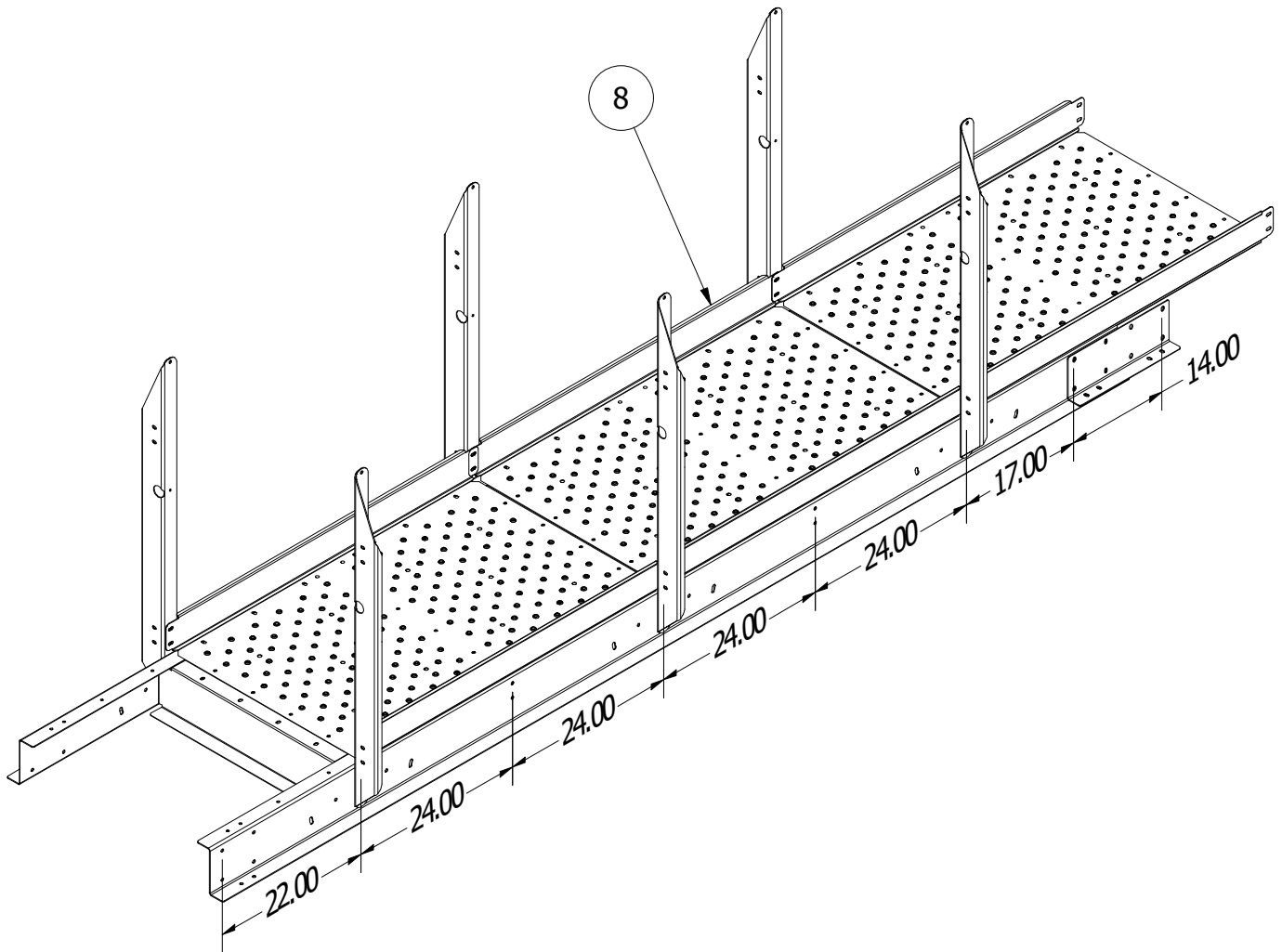
12' Manwalk (Beginning)



Adding Kickboards

PARTS LIST			
ITEM	QTY	PART NUMBER	DESCRIPTION
8	6	AM-40001	Kickboard, 48"

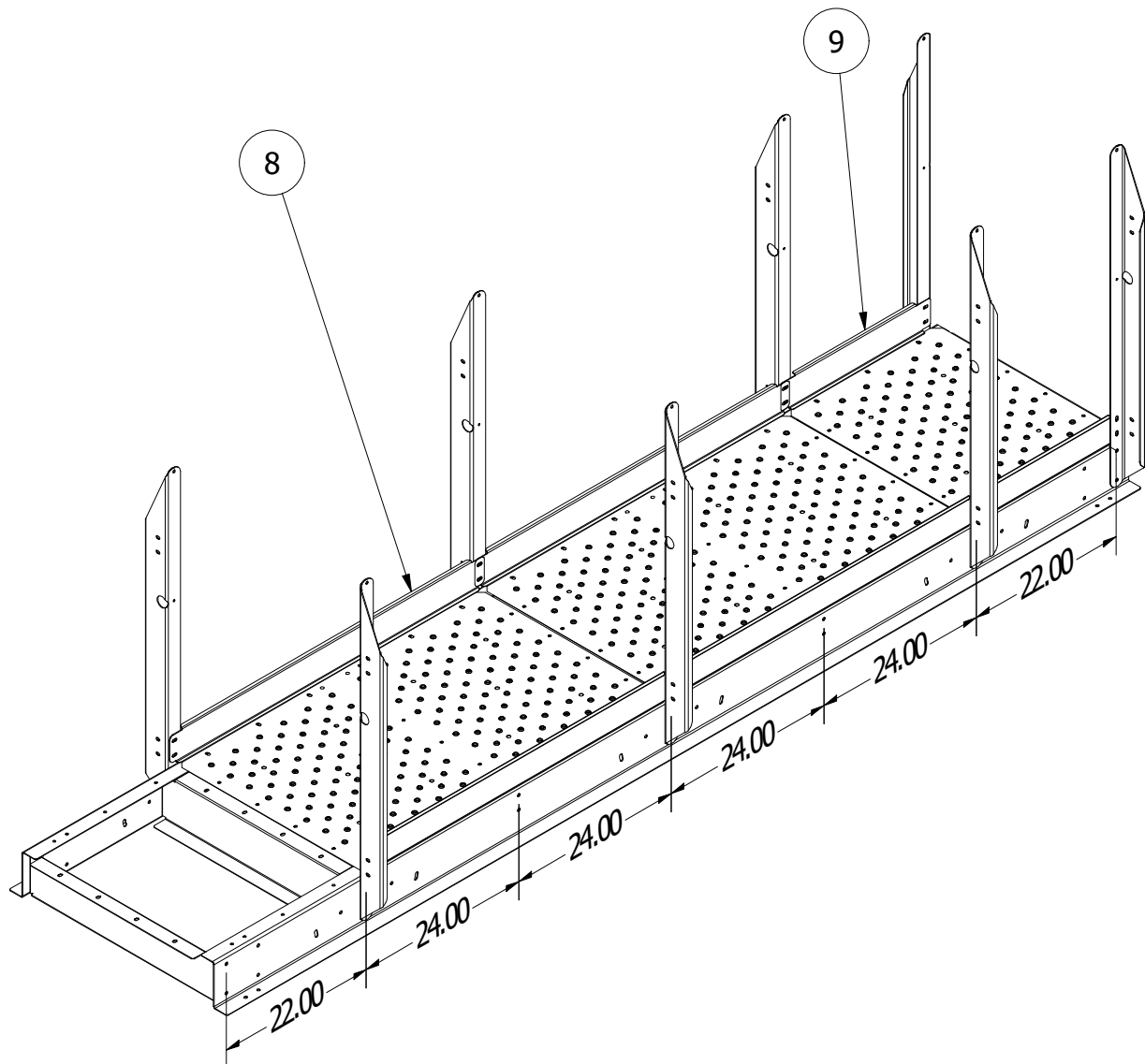
12' Manwalk (Intermediate)



Adding Kickboards

PARTS LIST			
ITEM	QTY	PART NUMBER	DESCRIPTION
8	4	AM-40001	Kickboard, 48"
9	2	AM-40002	Kickboard, 24"

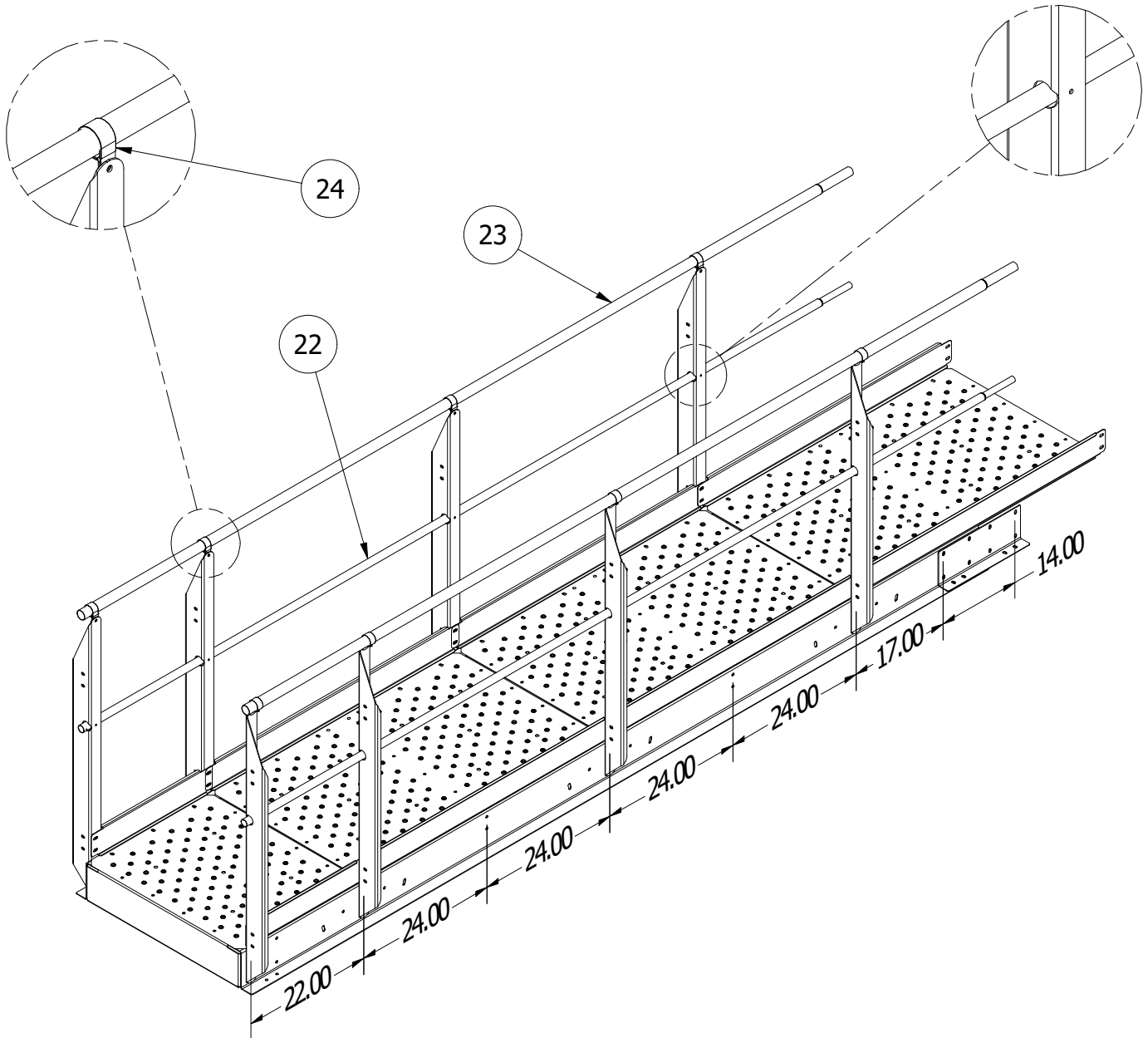
12' Manwalk (End)



Adding Handrails and Guardrails

PARTS LIST			
ITEM	QTY	PART NUMBER	DESCRIPTION
22	2	TR1015006	150 in 1 in dia tubing 6in swage
23	4	TR1515006	150 in x1.5 in Railing 6 in Swage
24	8	HRC1500	Handrail Clamp for 1.5 in

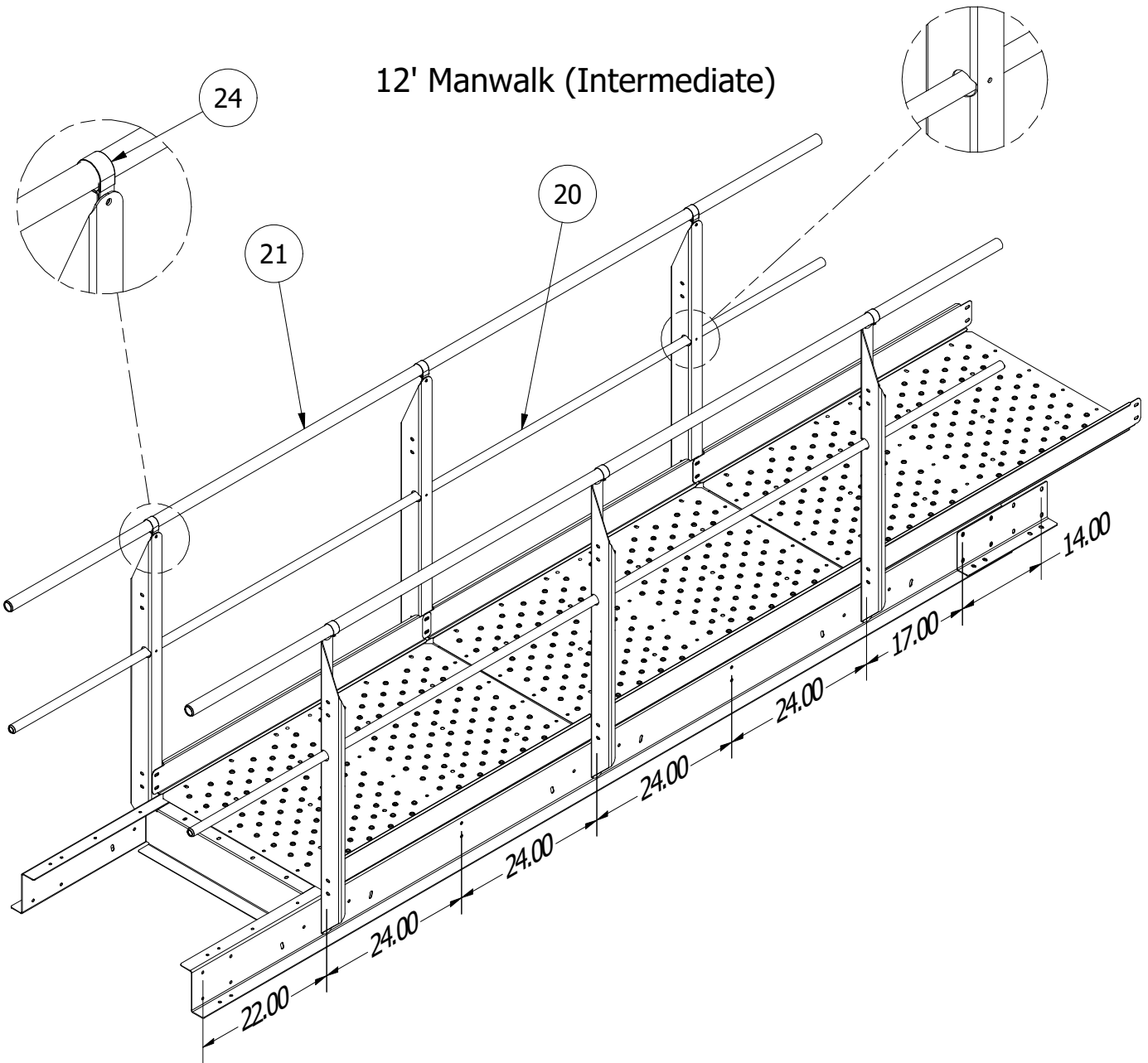
12' Manwalk (Beginning)



Adding Handrails and Guardrails

PARTS LIST			
ITEM	QTY	PART NUMBER	DESCRIPTION
20	2	TR1014400	144 in 1 in dia tubing no swage
21	4	TR1514400	144 in x1.5 in Railing No Swage
24	8	HRC1500	Handrail Clamp for 1.5 in

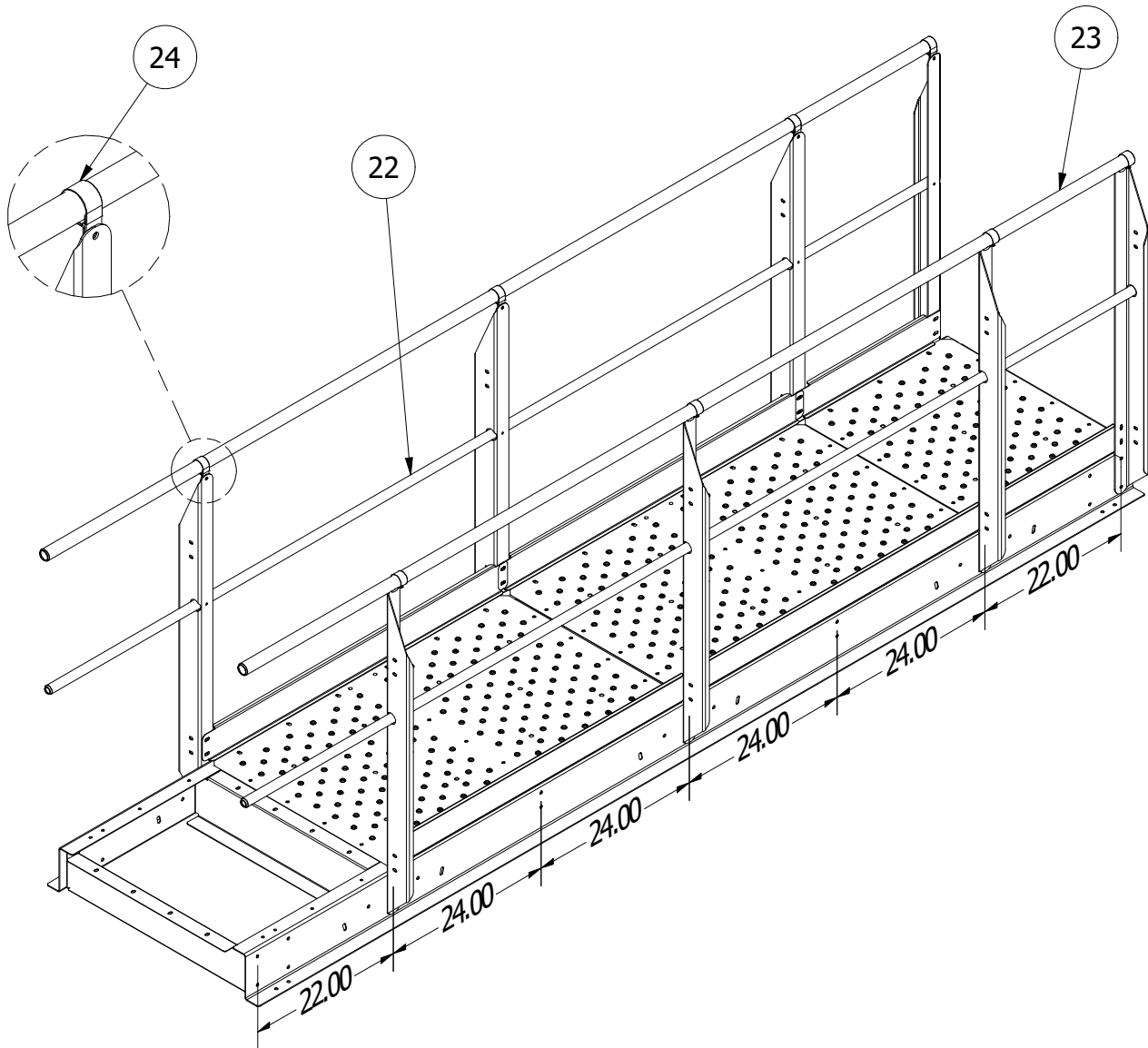
12' Manwalk (Intermediate)



Adding Handrails and Guardrails

PARTS LIST			
ITEM	QTY	PART NUMBER	DESCRIPTION
22	2	TR1015006	150 in 1 in dia tubing 6in swage
23	4	TR1515006	150 in x1.5 in Railing 6 in Swage
24	8	HRC1500	Handrail Clamp for 1.5 in

12' Manwalk (End)



General Dimensions

