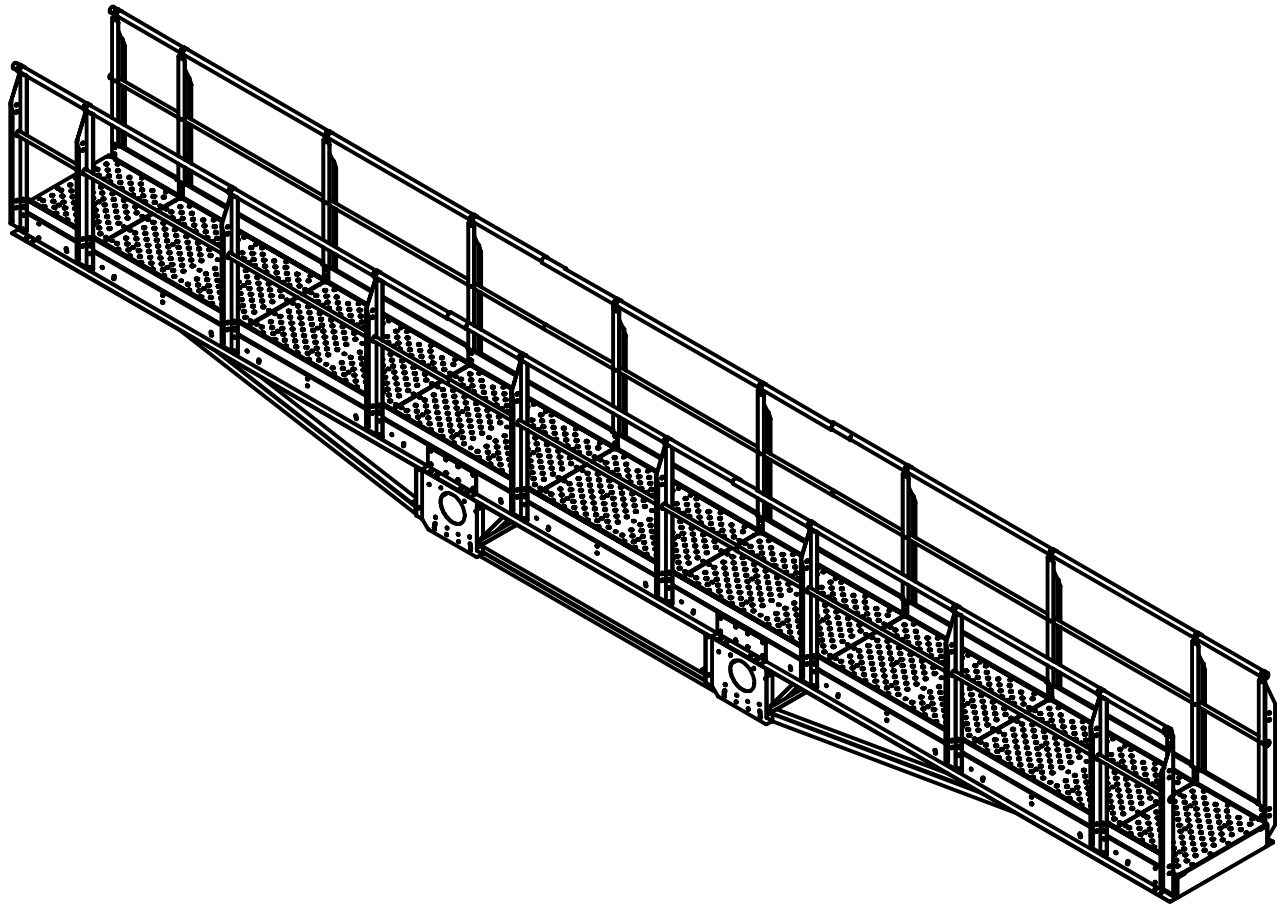


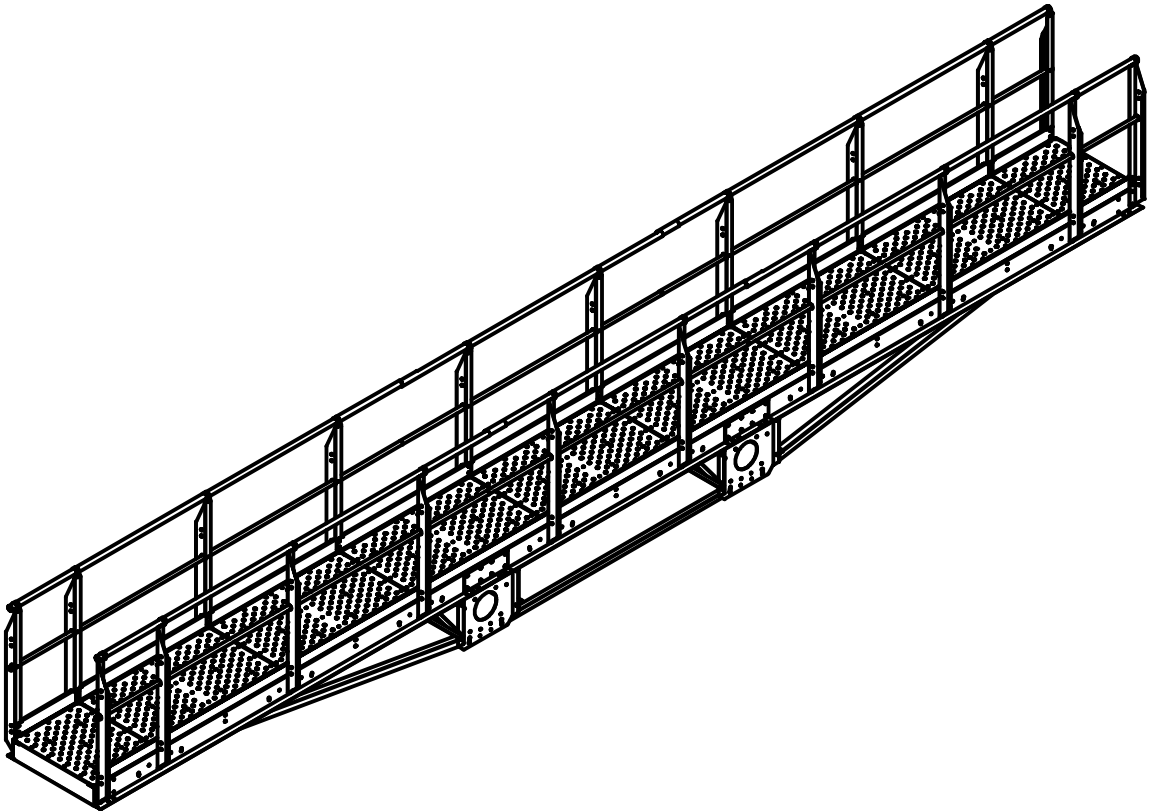
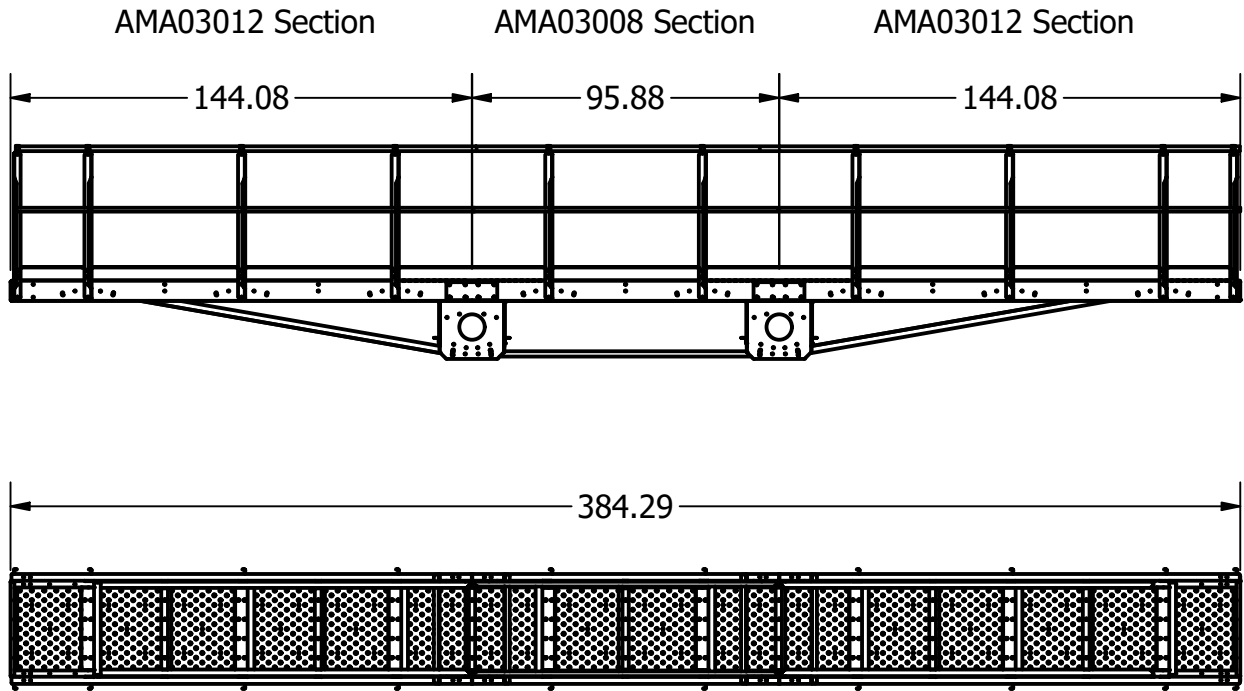
AMA03032

# Assembly Instructions



Greene Galvanized Stairs

# Master Assembly

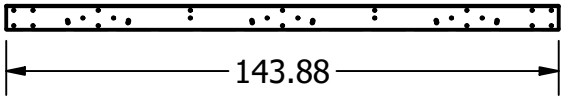


**AMA03032 Parts ID**

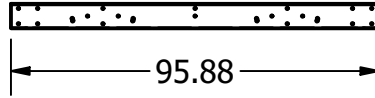
PARTS LIST			
ITEM	QTY	PART NUMBER	DESCRIPTION
1	2	AM-20001	End Cross Support
2	5	AM-20003	Mid Cross Support
3	10	AM-30001	Left Post
4	10	AM-30002	Right Post
5	7	AM-64830	Deck Tread, 48" x 30"
6	8	AM-20002	Post Cross Support
7	2	AM-62430	Deck Tread, 24" x 30"
8	20	HRC1500	Handrail Clamp for 1.5 in
9	20	Floor Screw	Floor Screw (Self Drill)
10	14	AM-40001	Kickboard, 48"
11	4	AM-40002	Kickboard, 24"
12	2	AM-06096	Z Rail, 6"X2"X96"
13	4	AM-50001	Z Rail Splice Plate
14	2	TR1009600	96 in 1 in dia tubing No Swage
15	2	TR1509600	96 in x1.5 in Railing No Swage
16	4	AM-06144	Z Rail, 6" x 2" x 144"
17	2	AM-20004	Splice Cross Support
18	4	TR1514400	144 in x1.5 in Railing No Swage
19	4	TR1014400	144 in x1.0 in Railing No Swage
20	4	AM-50002	Truss Plate 24" x 24"
21	8	AM-50004	Truss Plate X Brace
22	4	AM-50003	Truss Plate Cross Brace
23	4	AM-80002	Angle, Tie Brace, 12' manwalk 118
24	2	AM-80004	Horizontal Truss Tie 8'

# AMA03032 Parts ID

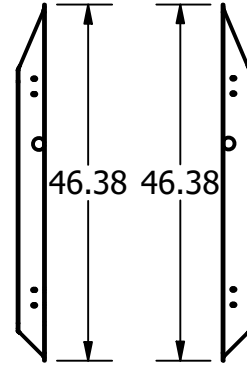
AM-06144



AM-06096



AM-30001 AM-30002

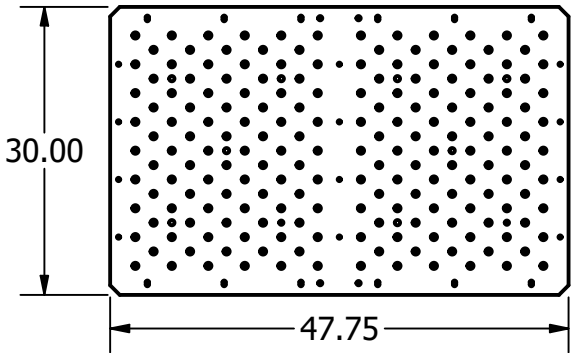


HRC1500

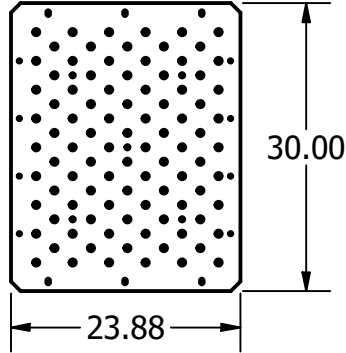


FLOOR SCREW

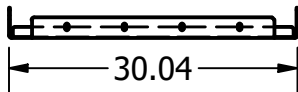
AM-64830



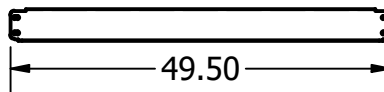
AM-62430



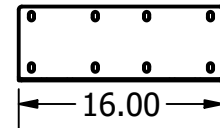
AM-20001



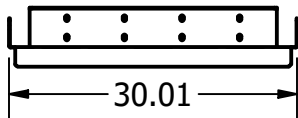
AM-40001



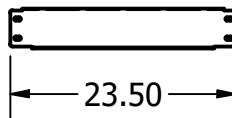
AM-50001



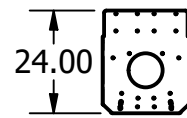
AM-20002



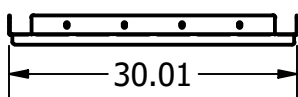
AM-40002



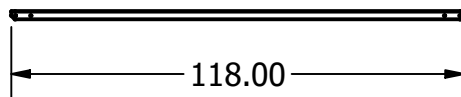
AM-50002



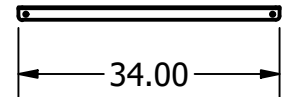
AM-20003



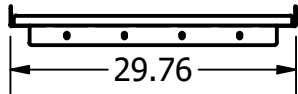
AM-80002



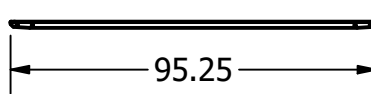
AM-50003



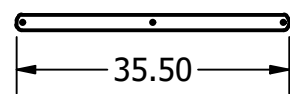
AM-20004



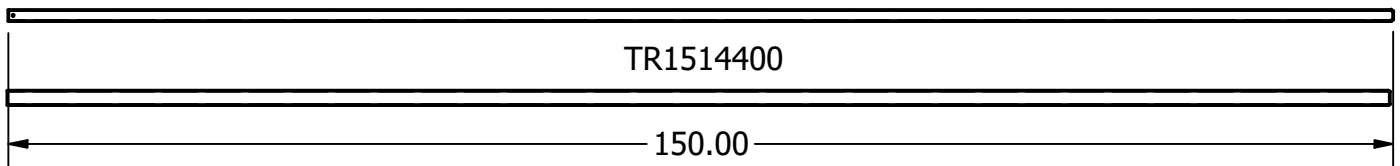
AM-80004



AM-50004

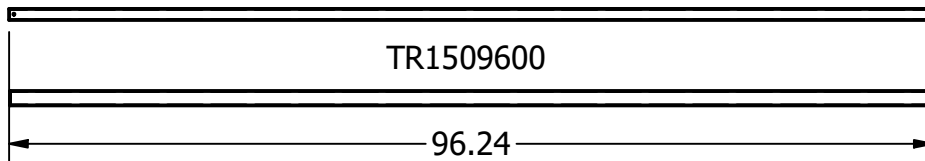


TR1014400



TR1514400

TR1009600



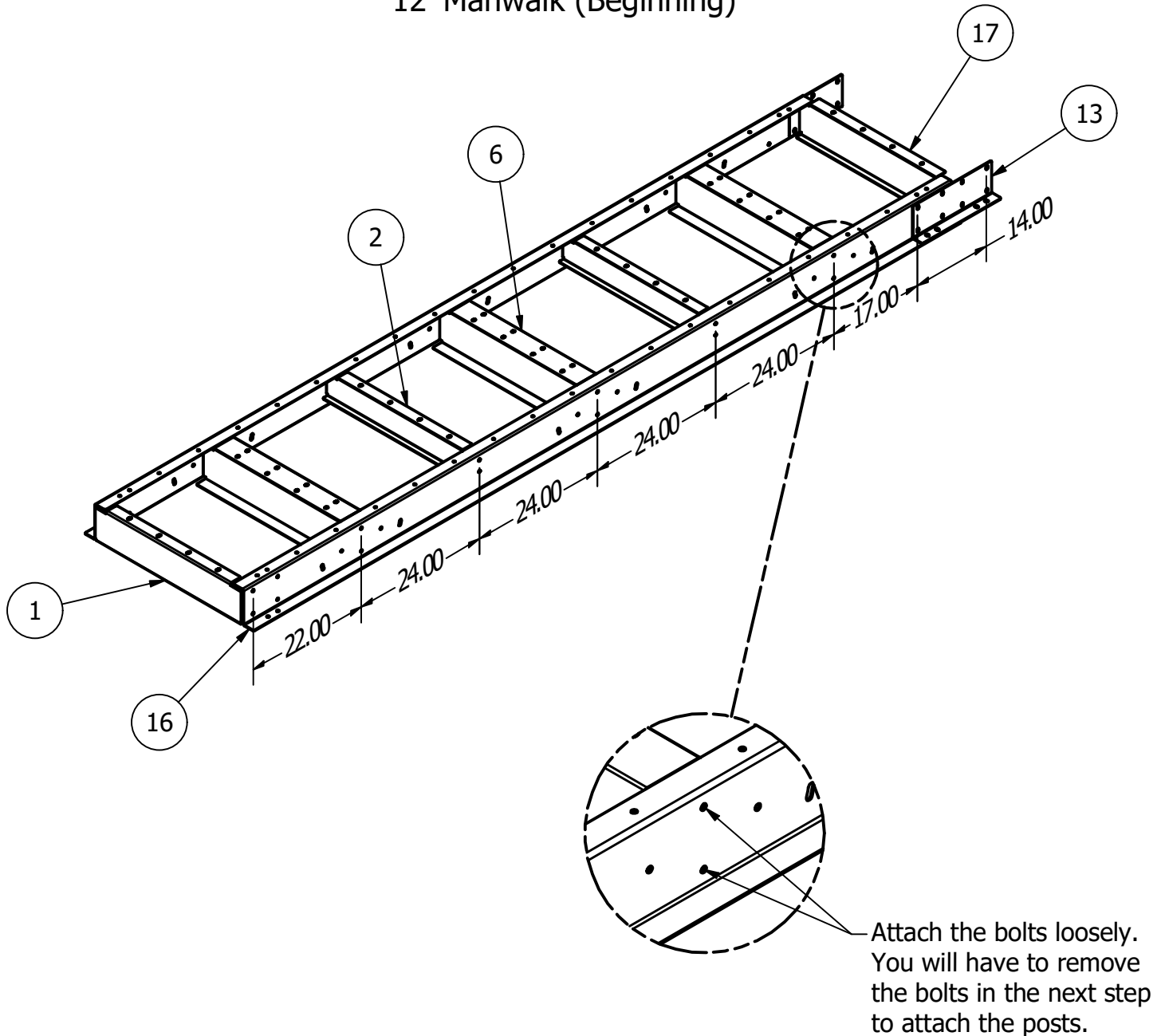
TR1509600

All units in inches

## Adding Cross Support to Side Rails

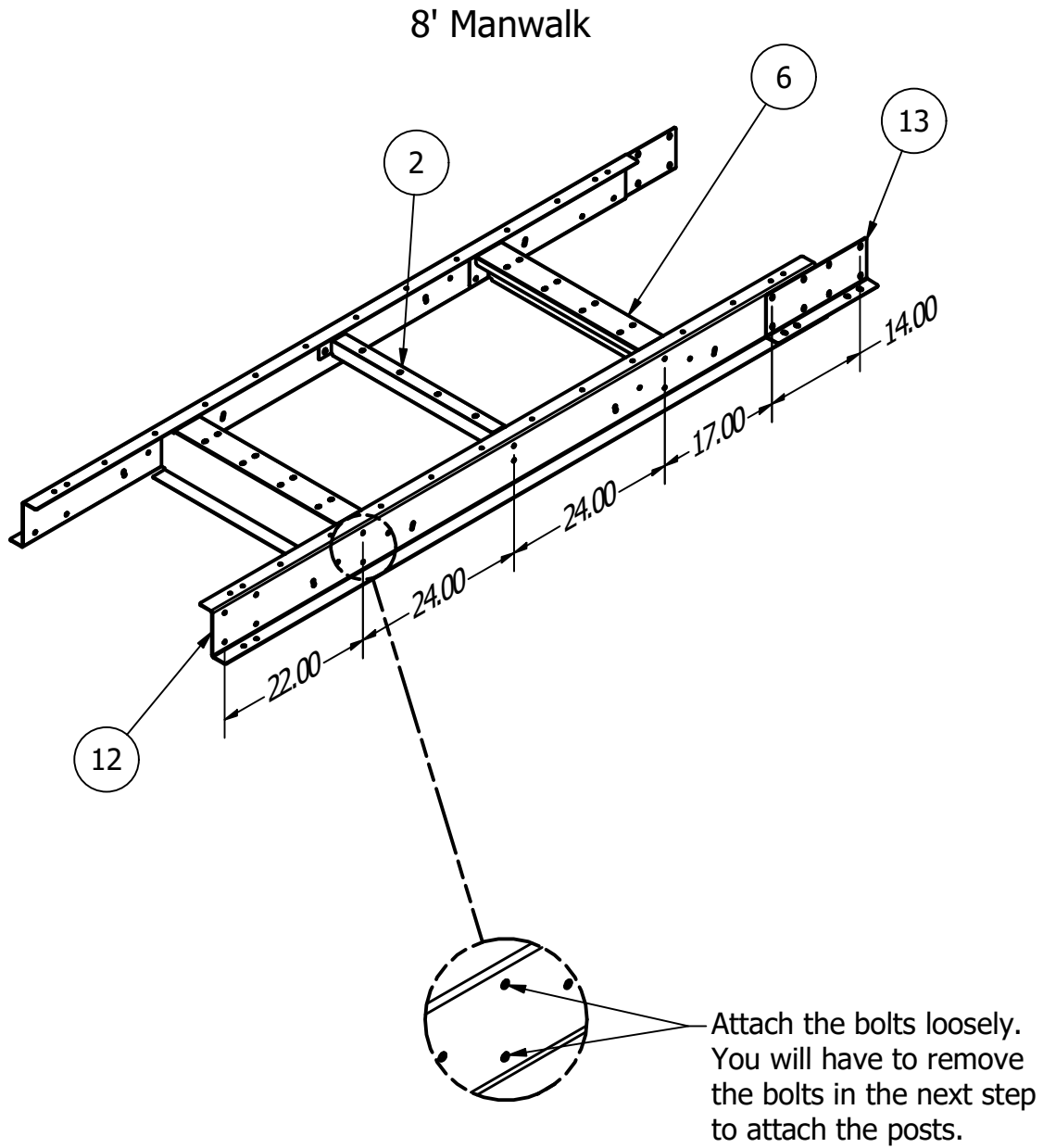
PARTS LIST			
ITEM	QTY	PART NUMBER	DESCRIPTION
1	2	AM-20001	End Cross Support
6	8	AM-20002	Post Cross Support
13	4	AM-50001	Z Rail Splice Plate
16	4	AM-06144	Z Rail, 6" x 2" x 144"
17	2	AM-20004	Splice Cross Support

### 12' Manwalk (Beginning)



## Adding Cross Support to Side Rails

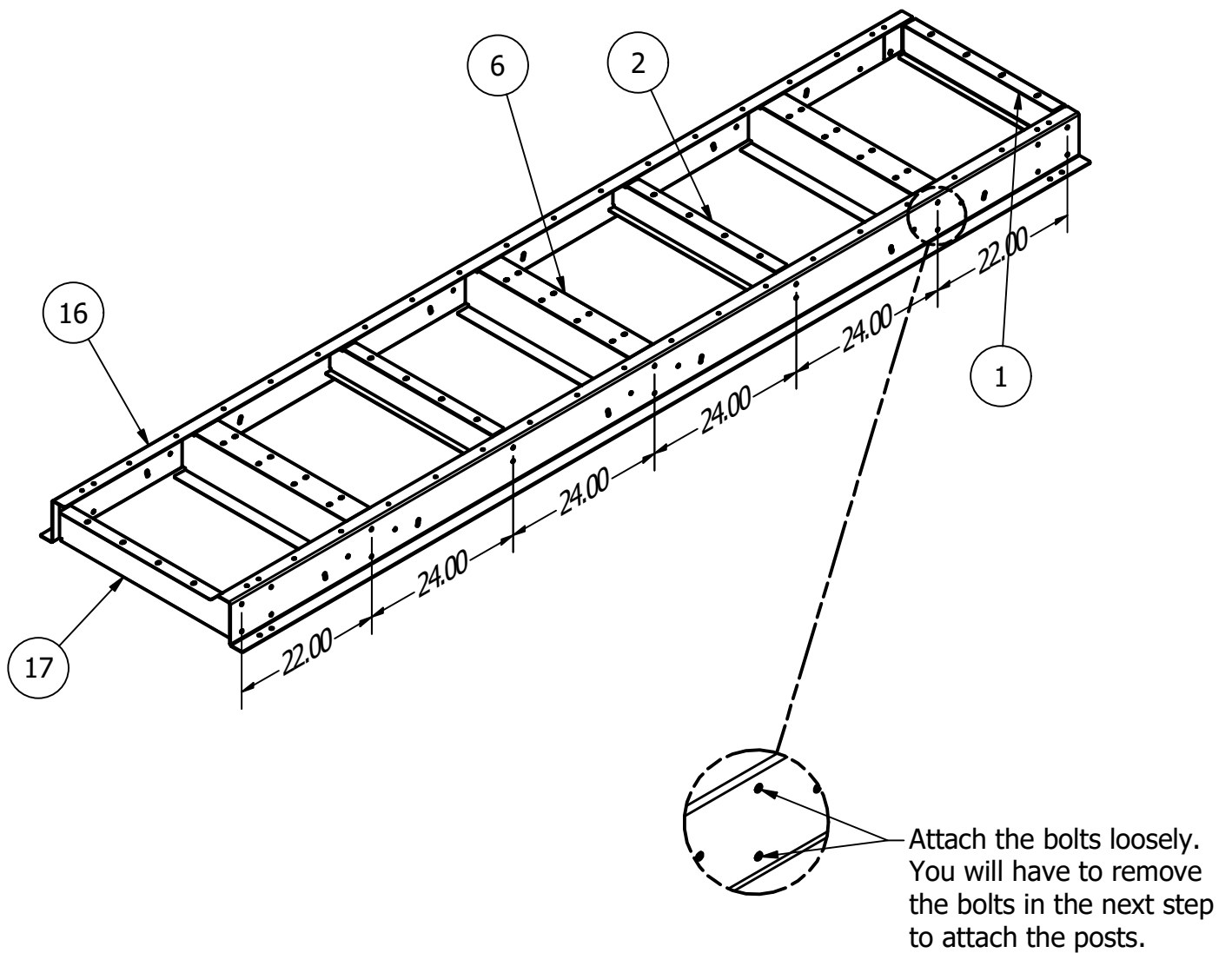
PARTS LIST			
ITEM	QTY	PART NUMBER	DESCRIPTION
2	5	AM-20003	Mid Cross Support
6	8	AM-20002	Post Cross Support
12	2	AM-06096	Z Rail, 6"X2"X96"
13	4	AM-50001	Z Rail Splice Plate



## Adding Cross Support to Side Rails

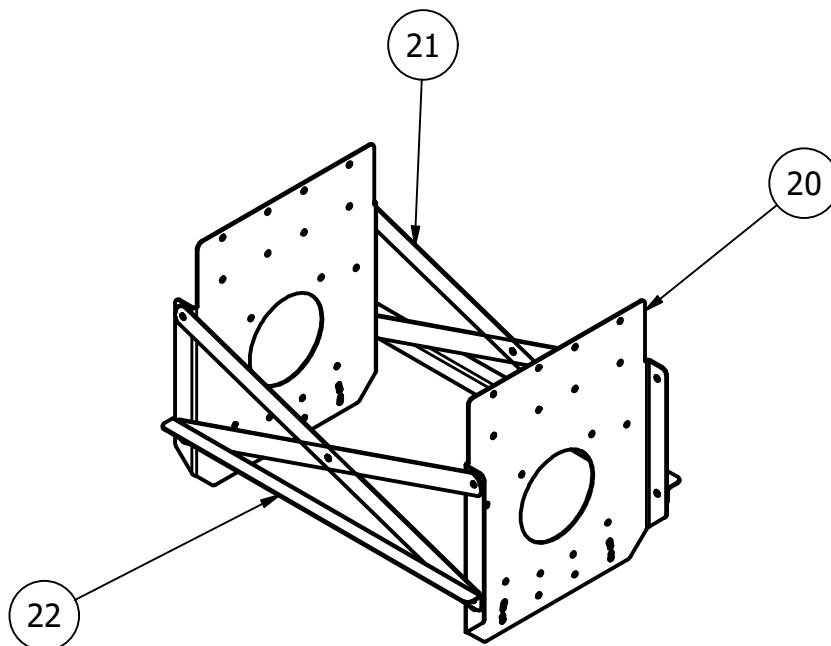
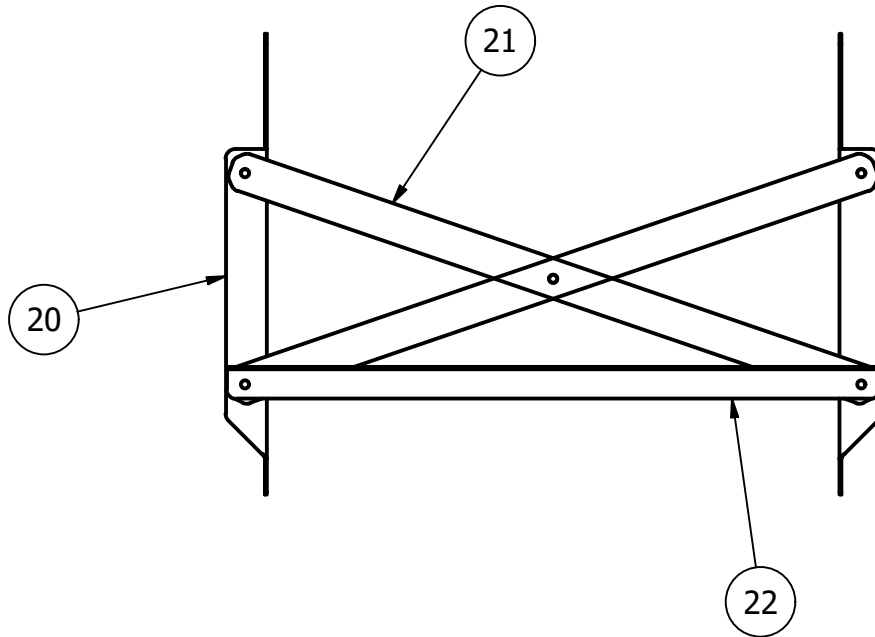
PARTS LIST			
ITEM	QTY	PART NUMBER	DESCRIPTION
1	2	AM-20001	End Cross Support
2	5	AM-20003	Mid Cross Support
6	8	AM-20002	Post Cross Support
16	4	AM-06144	Z Rail, 6" x 2" x 144"
17	2	AM-20004	Splice Cross Support

### 12' Manwalk (End)



## Adding Truss Bracing

PARTS LIST			
ITEM	QTY	PART NUMBER	DESCRIPTION
20	4	AM-50002	Truss Plate 24" x 24"
21	8	AM-50004	Truss Plate X Brace
22	4	AM-50003	Truss Plate Cross Brace

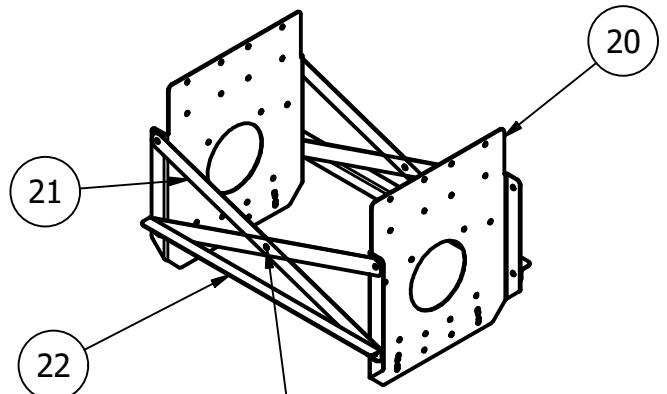
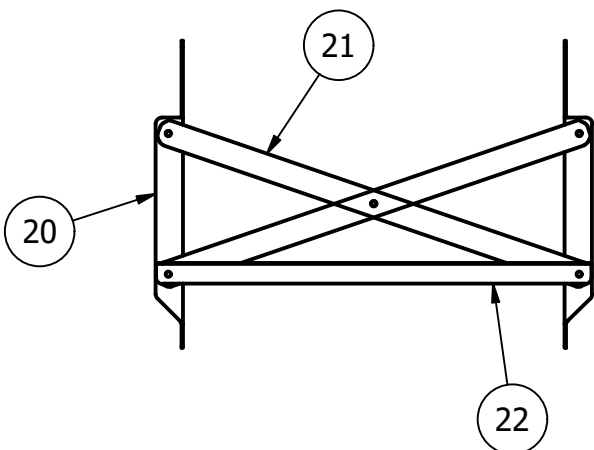
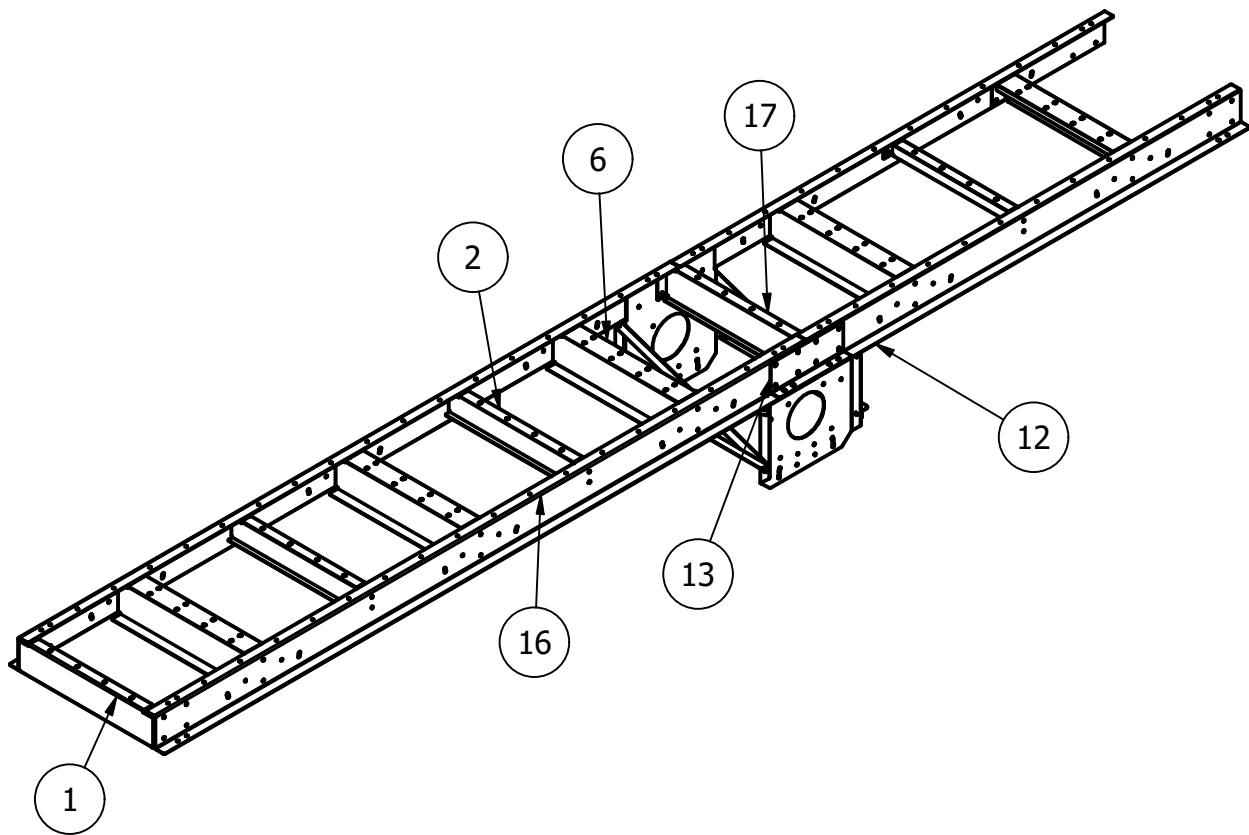




## Adding Bracing to Side Rails

PARTS LIST			
ITEM	QTY	PART NUMBER	DESCRIPTION
1	2	AM-20001	End Cross Support
2	5	AM-20003	Mid Cross Support
6	8	AM-20002	Post Cross Support
12	2	AM-06096	Z Rail, 6"X2"X96"
13	4	AM-50001	Z Rail Splice Plate
16	4	AM-06144	Z Rail, 6" x 2" x 144"
17	2	AM-20004	Splice Cross Support
20	4	AM-50002	Truss Plate 24" x 24"
21	8	AM-50004	Truss Plate X Brace
22	4	AM-50003	Truss Plate Cross Brace

### 12' Manwalk (Beginning) to 8' Manwalk

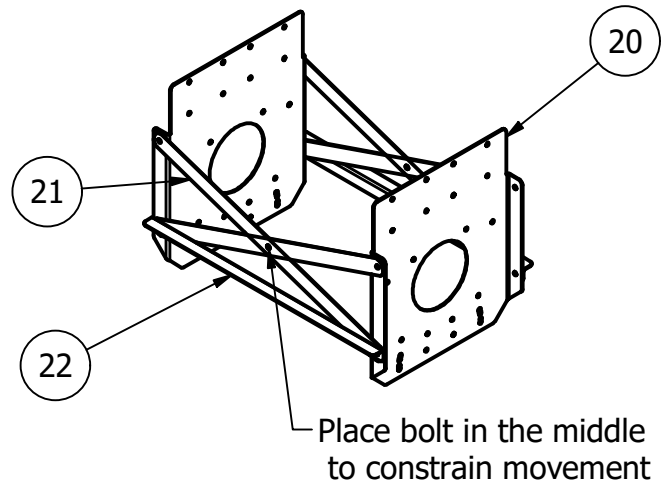
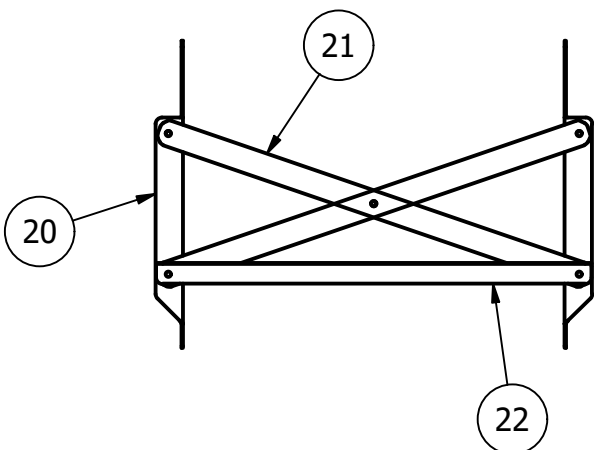
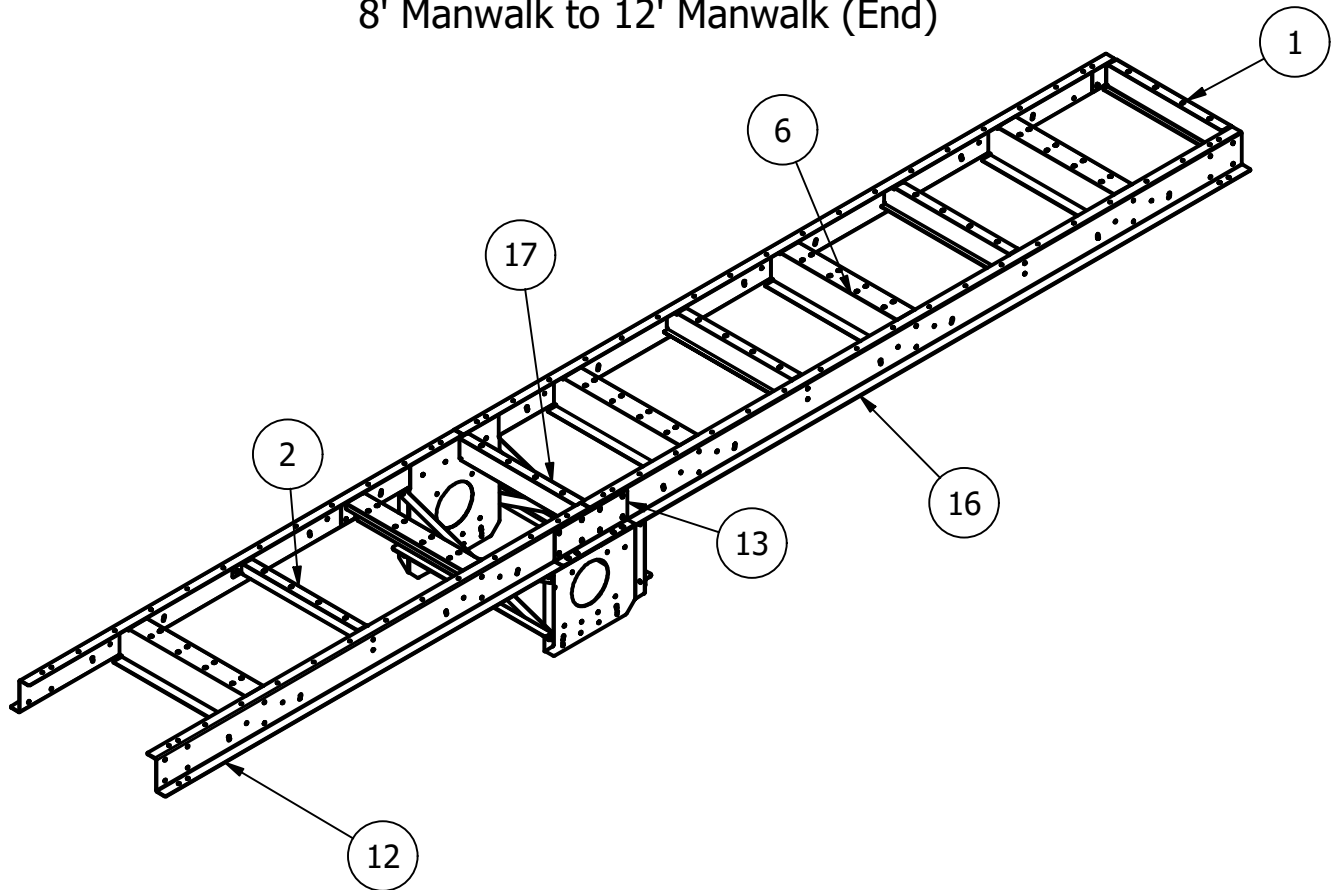


Place bolt in the middle to constrain movement

# Adding Bracing to Side Rails

PARTS LIST			
ITEM	QTY	PART NUMBER	DESCRIPTION
1	2	AM-20001	End Cross Support
2	5	AM-20003	Mid Cross Support
6	8	AM-20002	Post Cross Support
12	2	AM-06096	Z Rail, 6"X2"X96"
13	4	AM-50001	Z Rail Splice Plate
16	4	AM-06144	Z Rail, 6" x 2" x 144"
17	2	AM-20004	Splice Cross Support
20	4	AM-50002	Truss Plate 24" x 24"
21	8	AM-50004	Truss Plate X Brace
22	4	AM-50003	Truss Plate Cross Brace

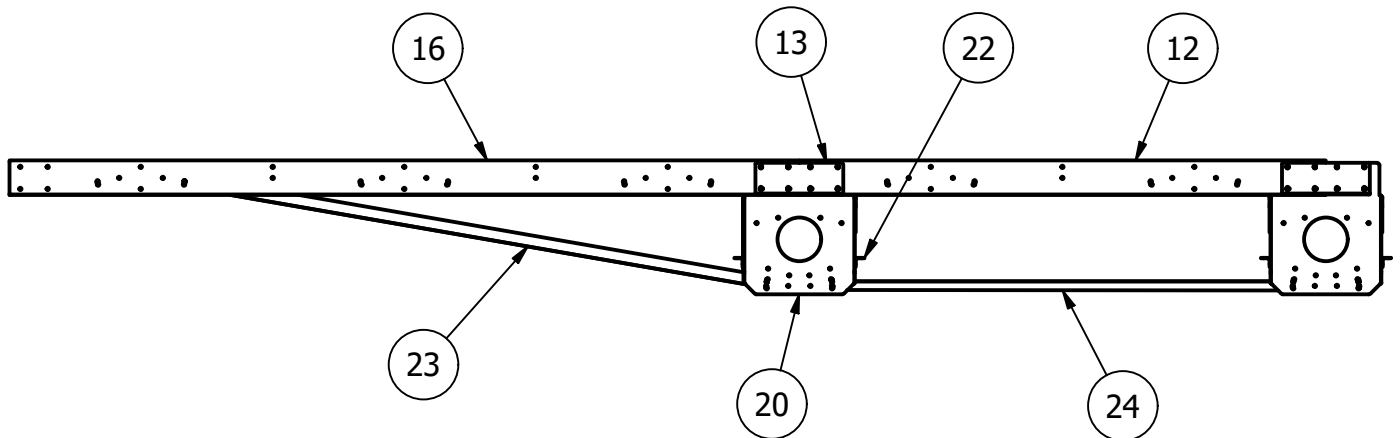
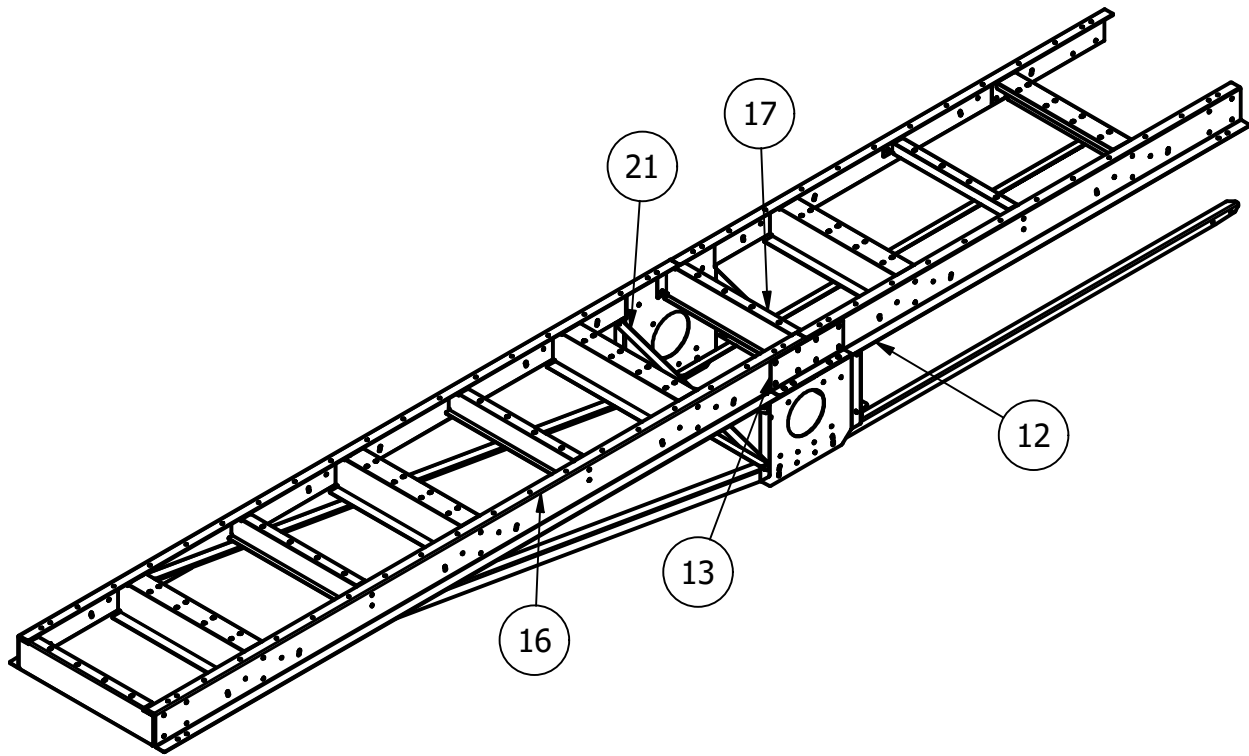
## 8' Manwalk to 12' Manwalk (End)



## Adding Bracing to Side Rails

PARTS LIST			
ITEM	QTY	PART NUMBER	DESCRIPTION
12	2	AM-06096	Z Rail, 6"X2"X96"
13	4	AM-50001	Z Rail Splice Plate
16	4	AM-06144	Z Rail, 6" x 2" x 144"
17	2	AM-20004	Splice Cross Support
20	4	AM-50002	Truss Plate 24" x 24"
21	8	AM-50004	Truss Plate X Brace
22	4	AM-50003	Truss Plate Cross Brace
23	4	AM-80002	Angle, Tie Brace, 12' manwalk 118
24	2	AM-80004	Horizontal Truss Tie 8'

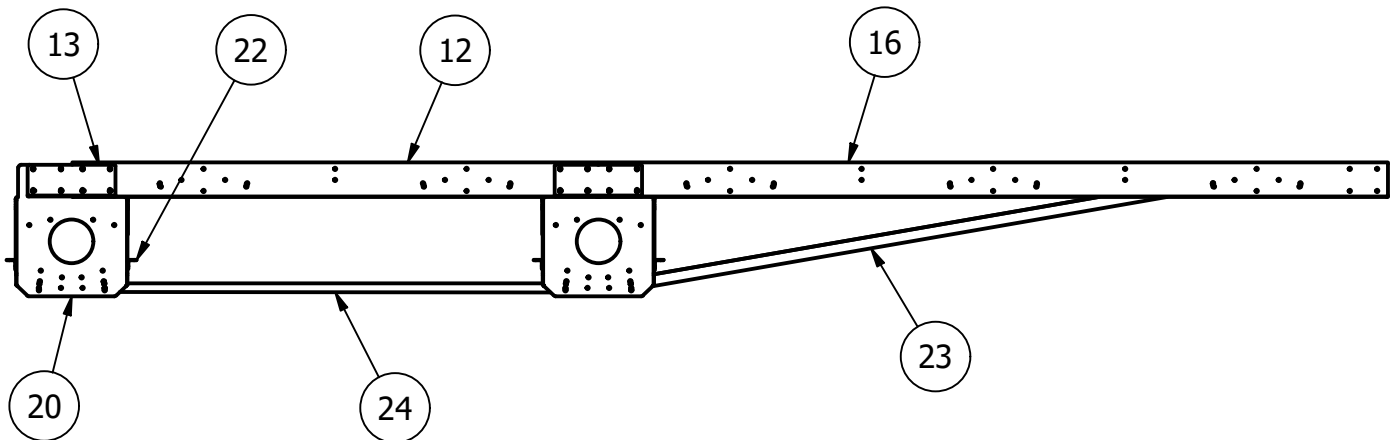
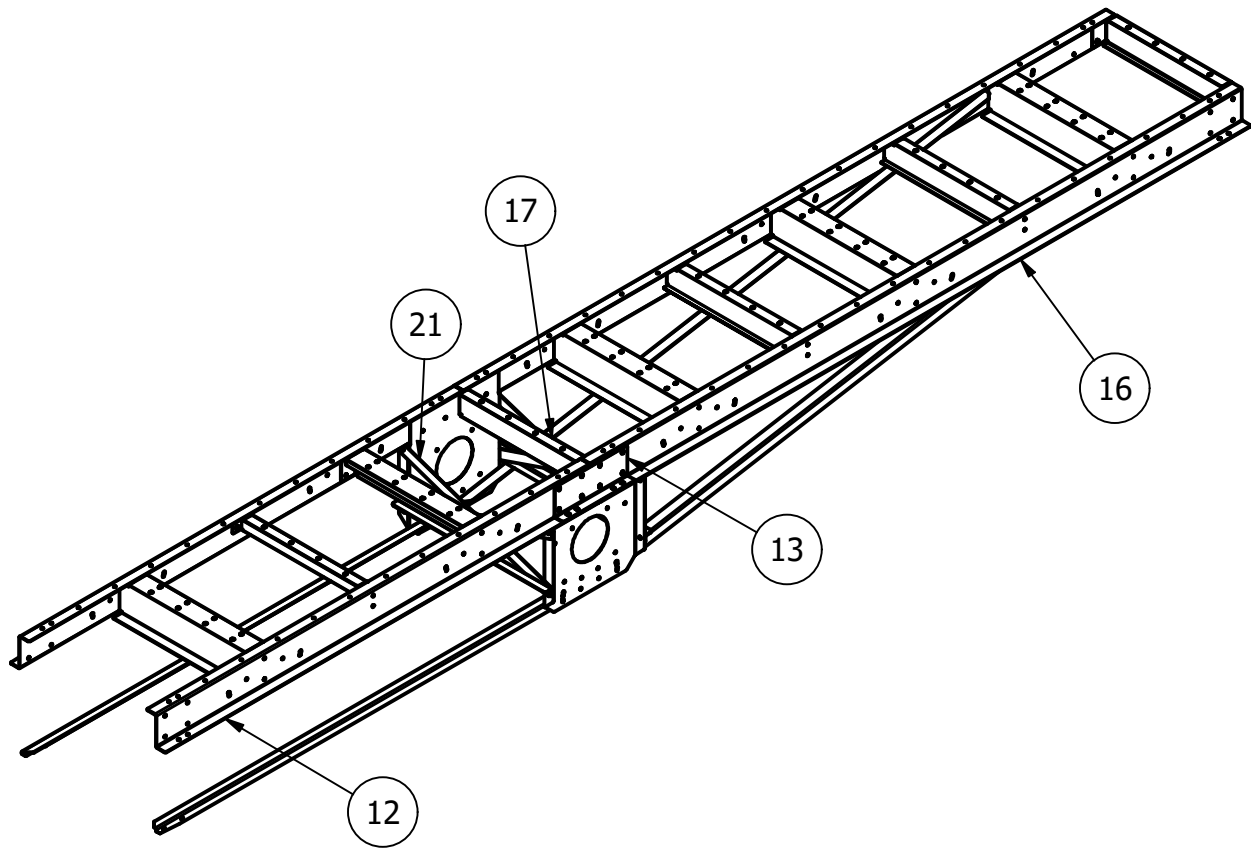
### 12' Manwalk (Beginning) to 8' Manwalk



## Adding Bracing to Side Rails

PARTS LIST			
ITEM	QTY	PART NUMBER	DESCRIPTION
12	2	AM-06096	Z Rail, 6"X2"X96"
13	4	AM-50001	Z Rail Splice Plate
16	4	AM-06144	Z Rail, 6" x 2" x 144"
17	2	AM-20004	Splice Cross Support
20	4	AM-50002	Truss Plate 24" x 24"
21	8	AM-50004	Truss Plate X Brace
22	4	AM-50003	Truss Plate Cross Brace
23	4	AM-80002	Angle, Tie Brace, 12' manwalk 118
24	2	AM-80004	Horizontal Truss Tie 8'

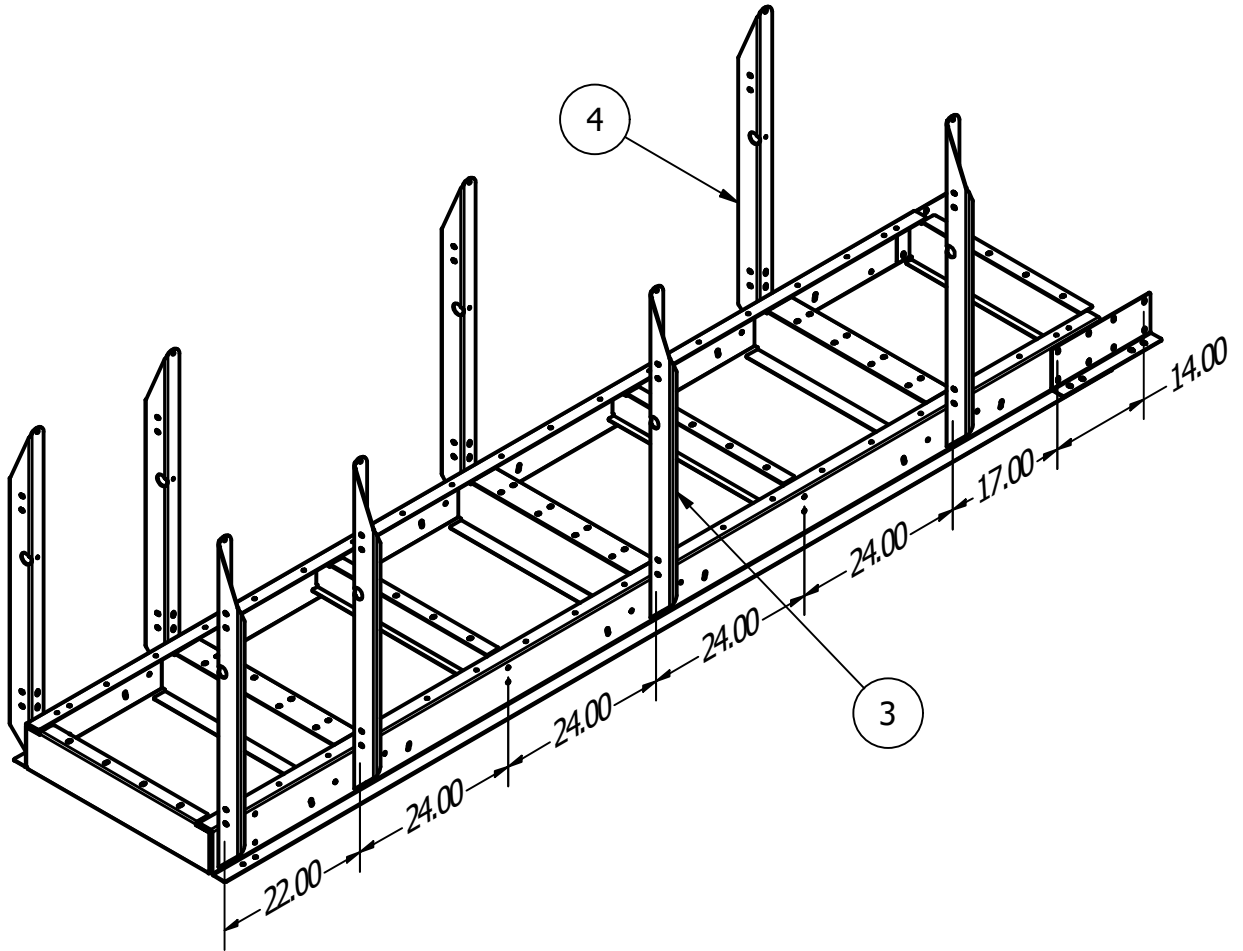
### 8' Manwalk to 12' Manwalk (End)



# Adding Left and Right Posts

PARTS LIST			
ITEM	QTY	PART NUMBER	DESCRIPTION
3	10	AM-30001	Left Post
4	10	AM-30002	Right Post

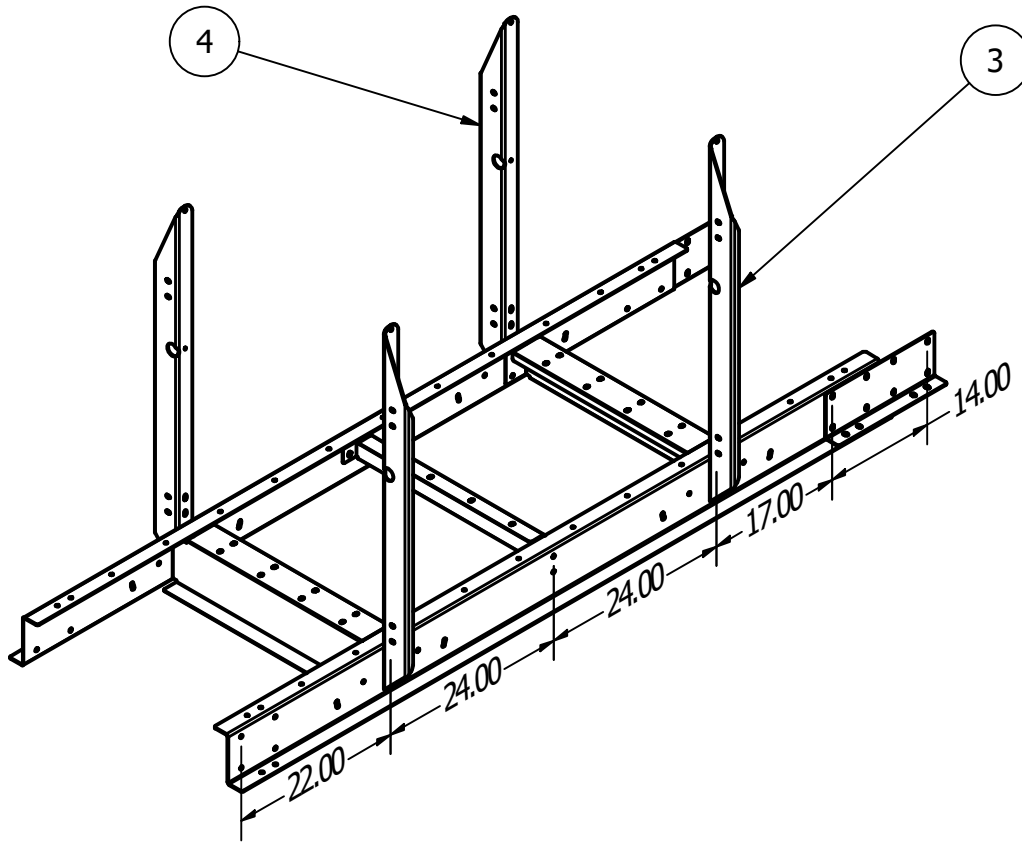
12' Manwalk (Beginning)



# Adding Left and Right Posts

PARTS LIST			
ITEM	QTY	PART NUMBER	DESCRIPTION
3	10	AM-30001	Left Post
4	10	AM-30002	Right Post

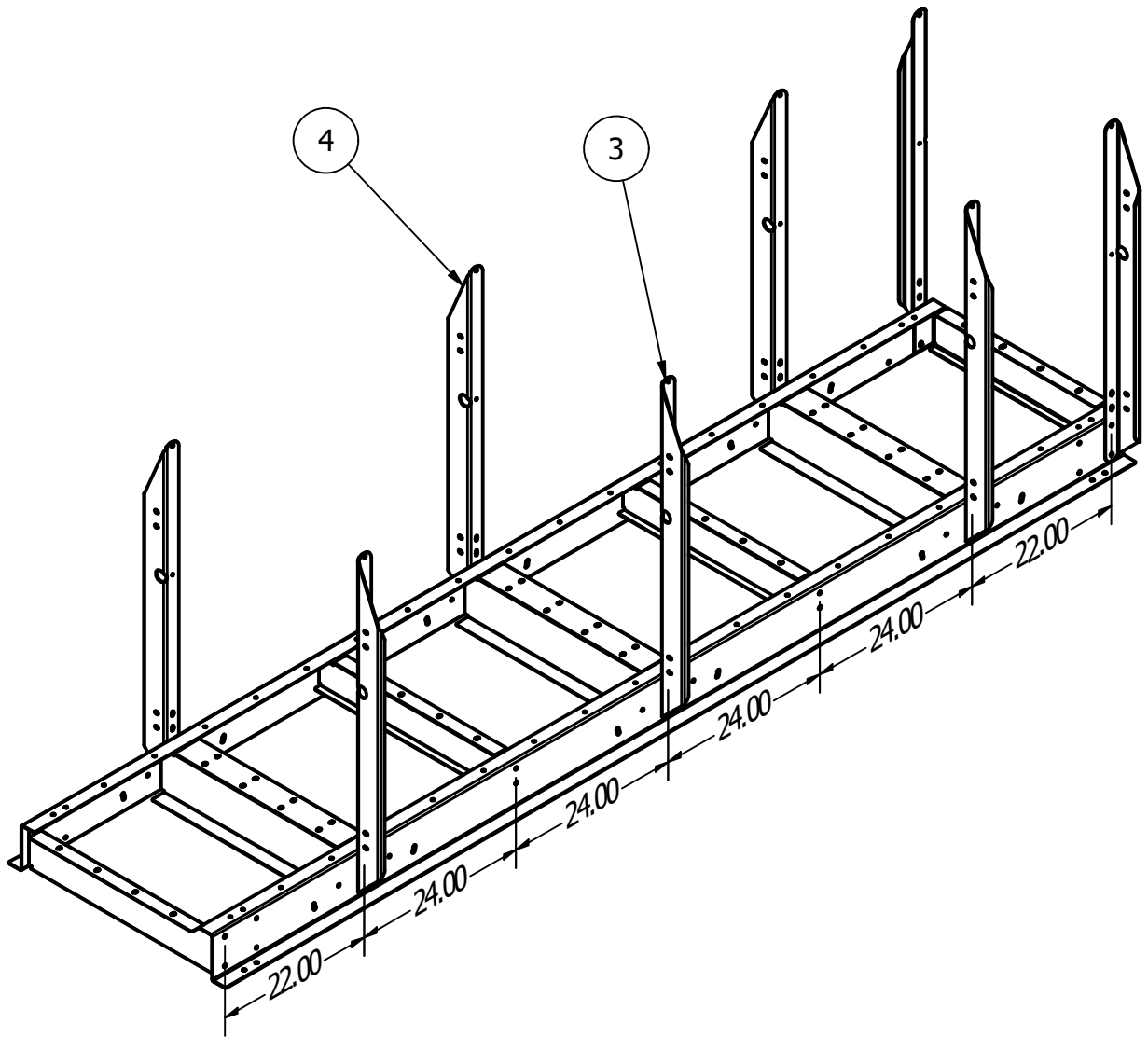
## 8' Manwalk



# Adding Left and Right Posts

PARTS LIST			
ITEM	QTY	PART NUMBER	DESCRIPTION
3	10	AM-30001	Left Post
4	10	AM-30002	Right Post

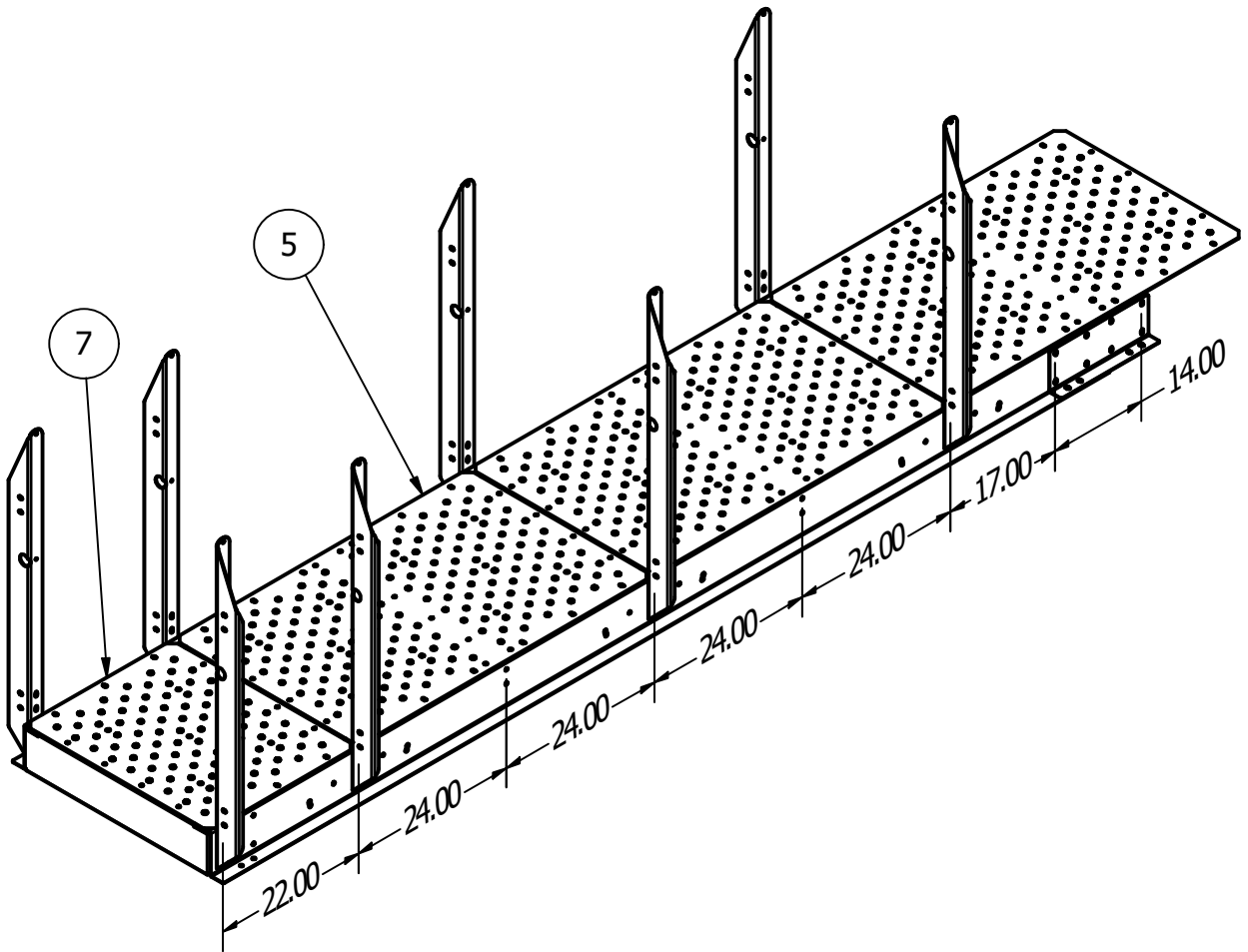
12' Manwalk (End)



# Adding Decks

PARTS LIST			
ITEM	QTY	PART NUMBER	DESCRIPTION
5	7	AM-64830	Deck Tread, 48" x 30"
7	2	AM-62430	Deck Tread, 24" x 30"

12' Manwalk (Beginning)

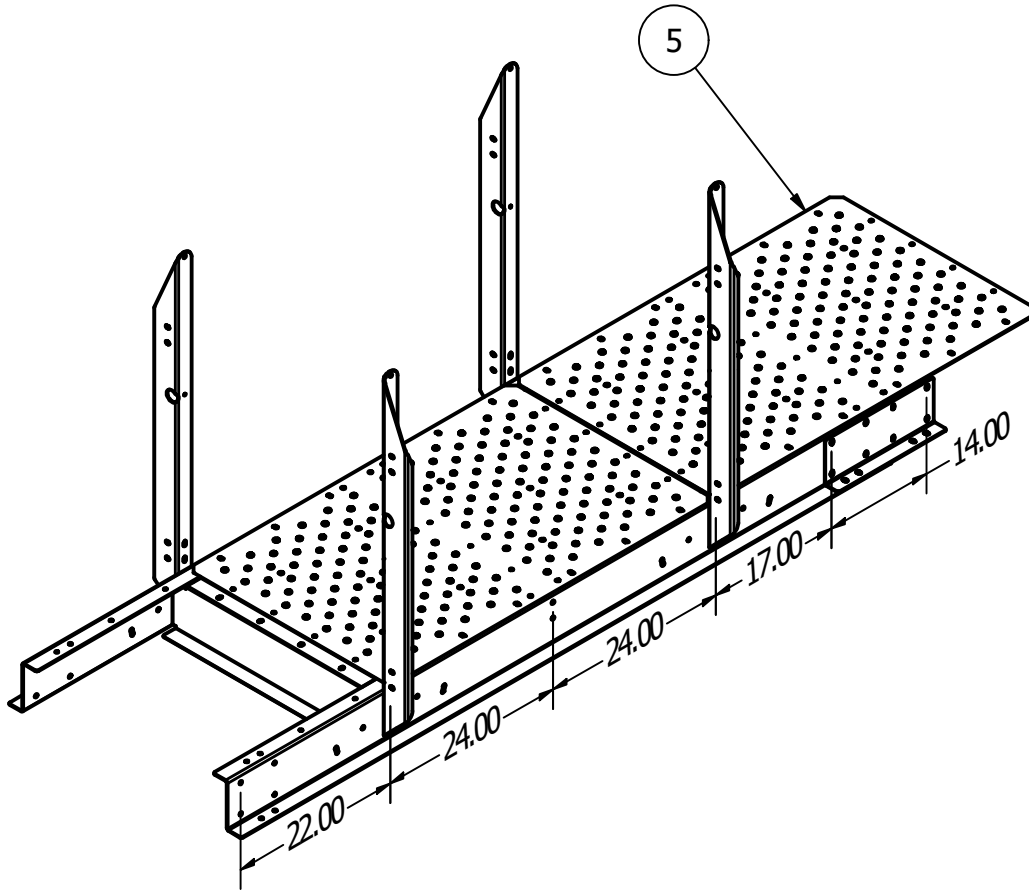




# Adding Decks

PARTS LIST			
ITEM	QTY	PART NUMBER	DESCRIPTION
5	7	AM-64830	Deck Tread, 48" x 30"

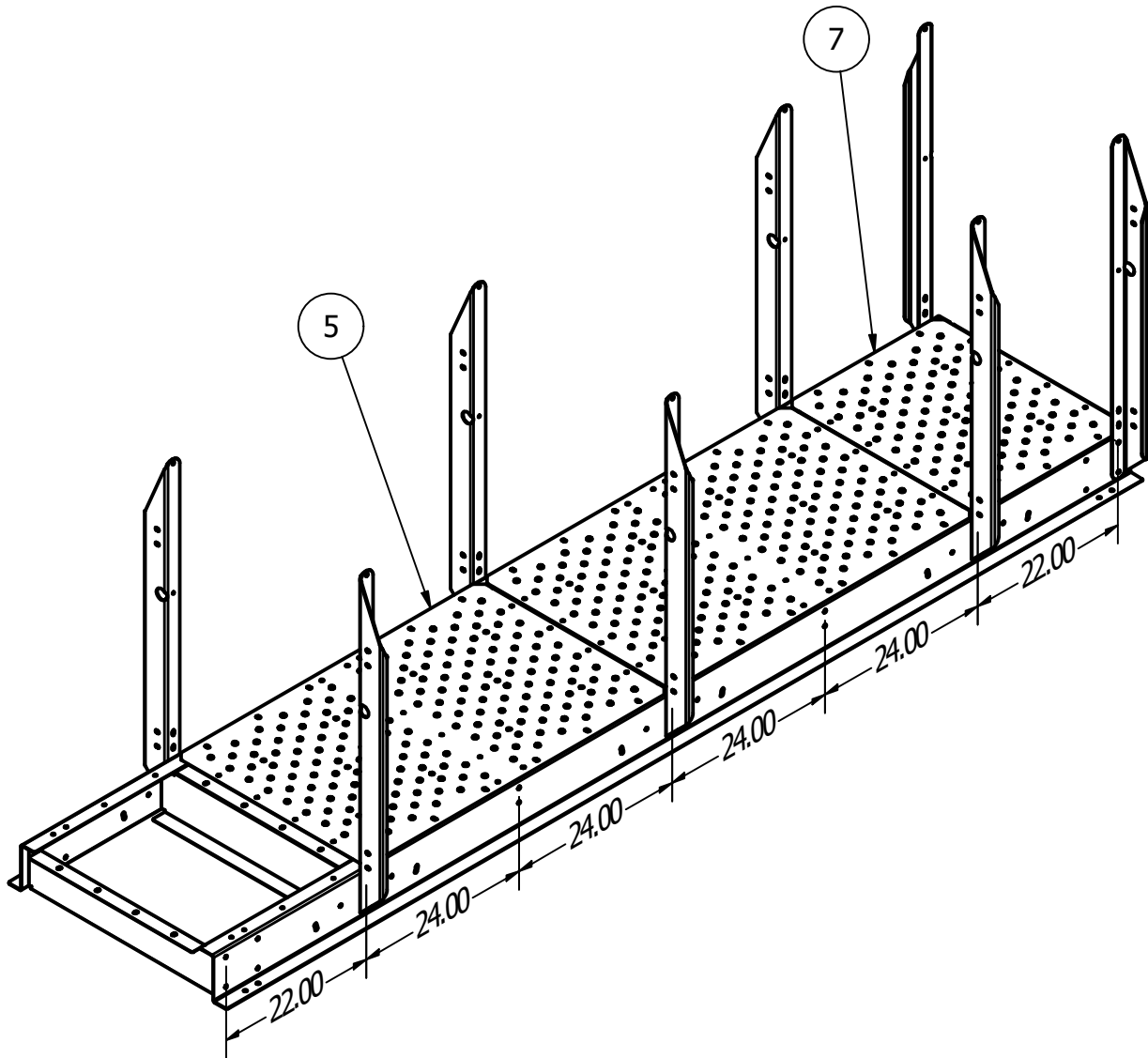
## 8' Manwalk



# Adding Decks

PARTS LIST			
ITEM	QTY	PART NUMBER	DESCRIPTION
5	7	AM-64830	Deck Tread, 48" x 30"
7	2	AM-62430	Deck Tread, 24" x 30"

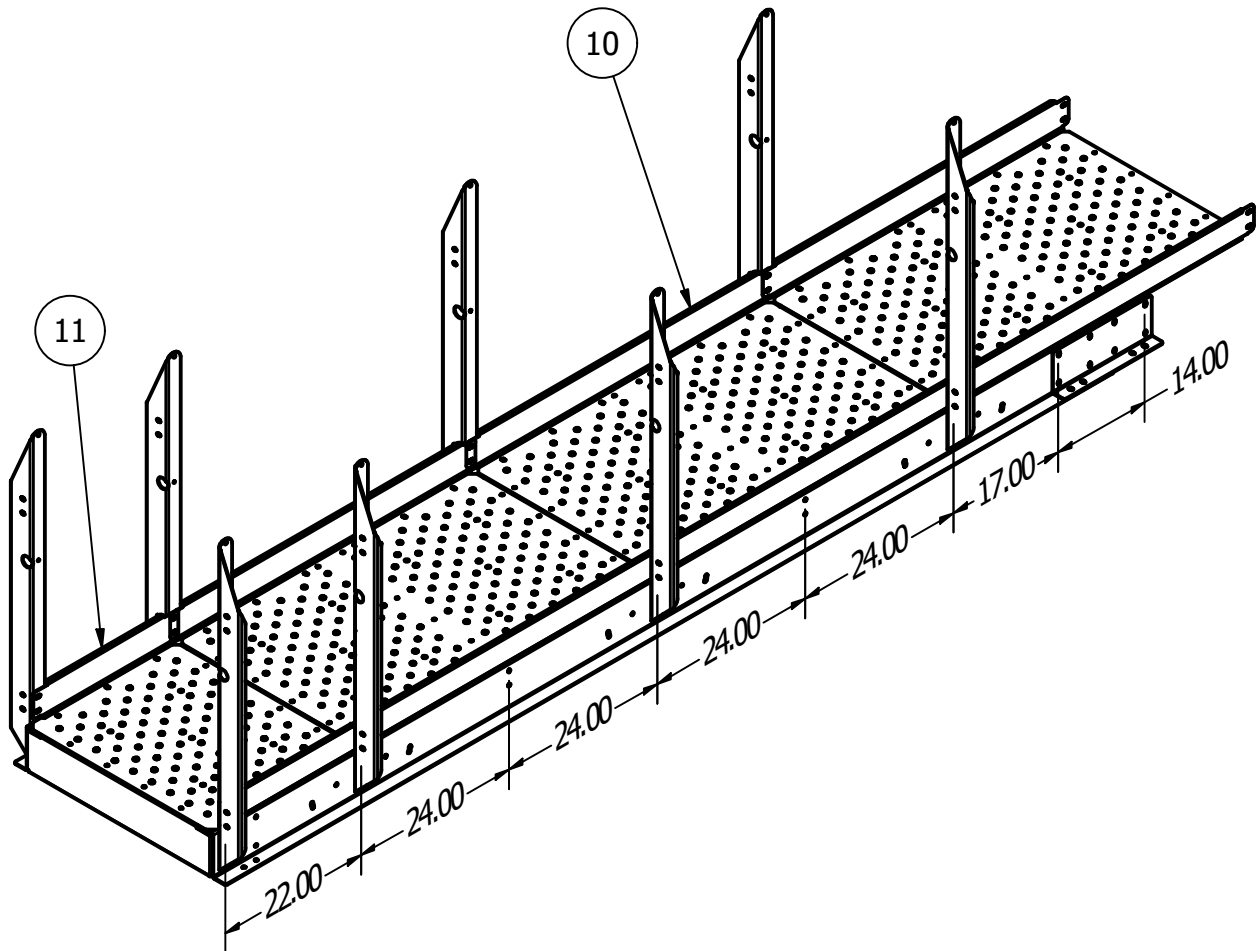
12' Manwalk (End)



# Adding Kickboards

PARTS LIST			
ITEM	QTY	PART NUMBER	DESCRIPTION
10	14	AM-40001	Kickboard, 48"
11	4	AM-40002	Kickboard, 24"

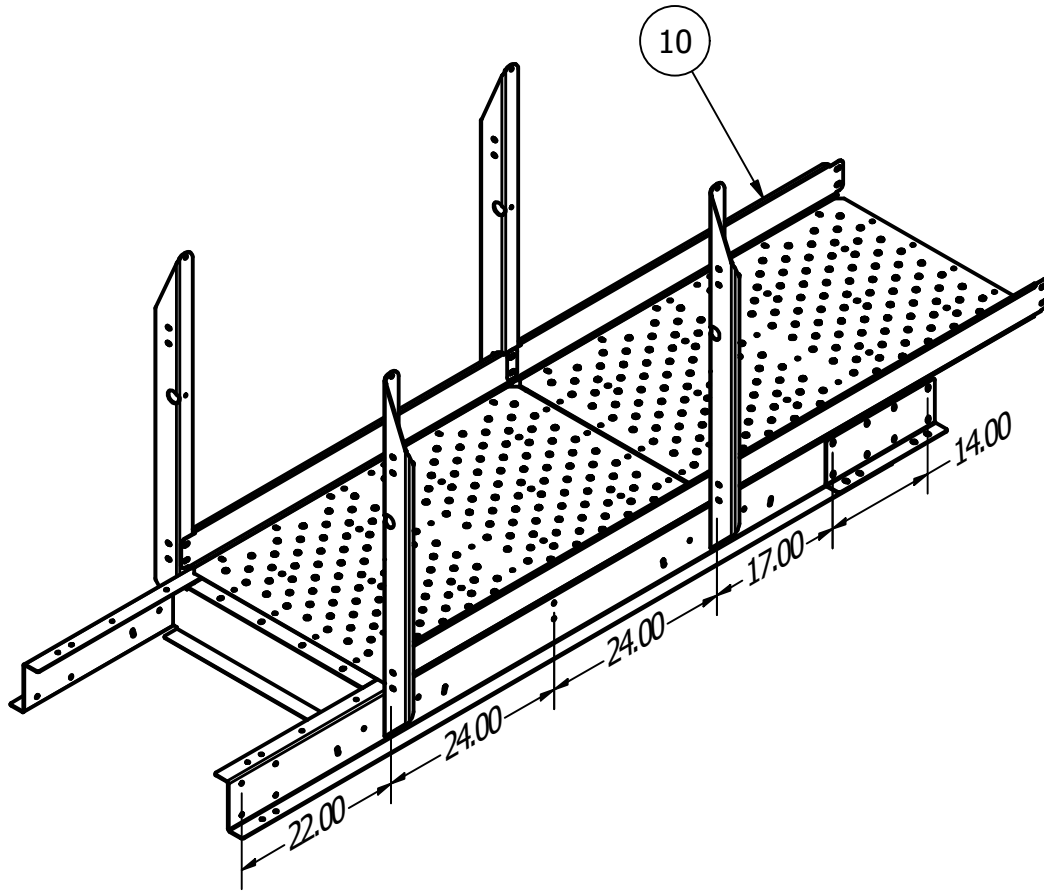
## 12' Manwalk (Beginning)



# Adding Kickboards

PARTS LIST			
ITEM	QTY	PART NUMBER	DESCRIPTION
10	14	AM-40001	Kickboard, 48"

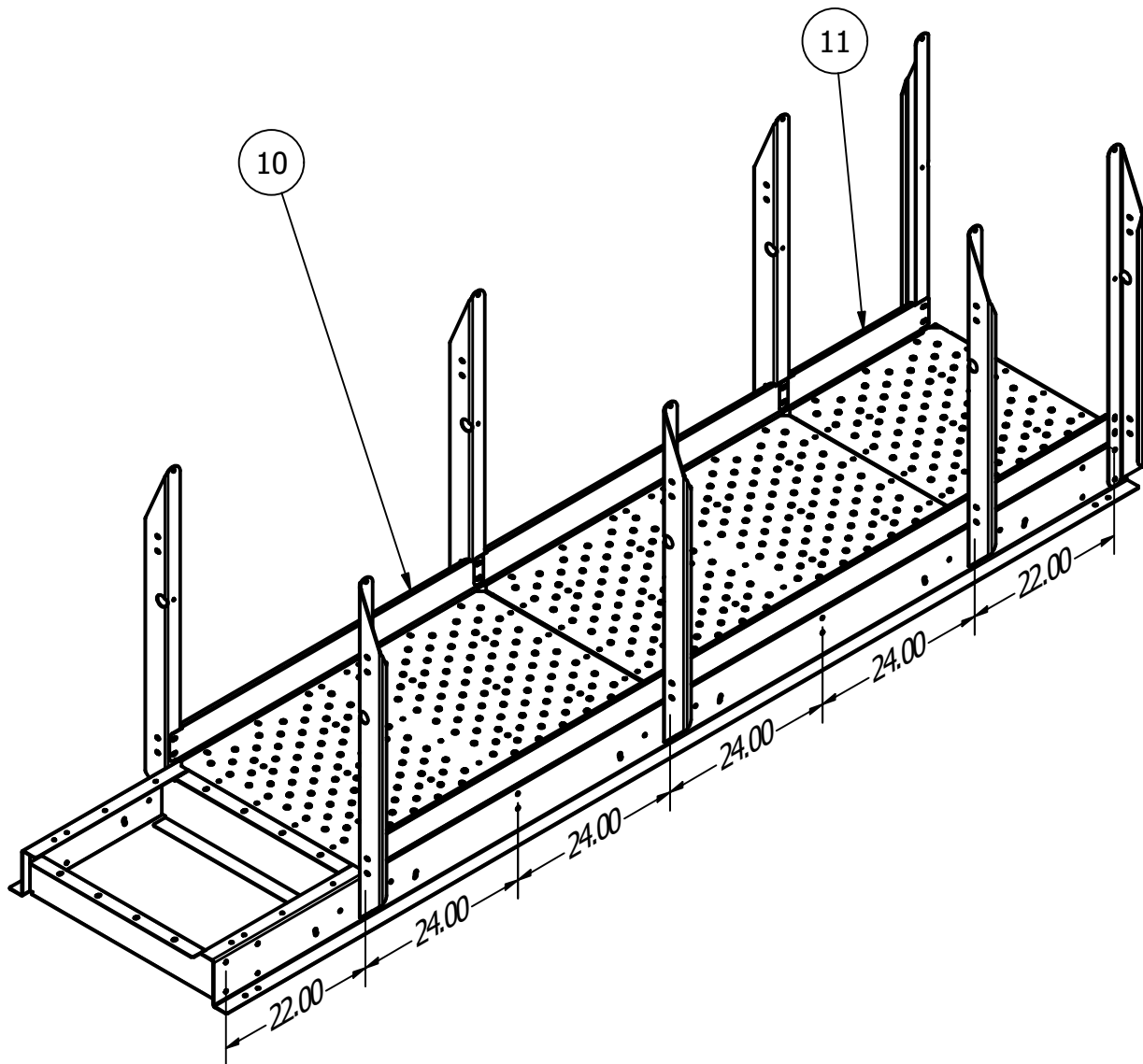
8' Manwalk



## Adding Kickboards

PARTS LIST			
ITEM	QTY	PART NUMBER	DESCRIPTION
10	14	AM-40001	Kickboard, 48"
11	4	AM-40002	Kickboard, 24"

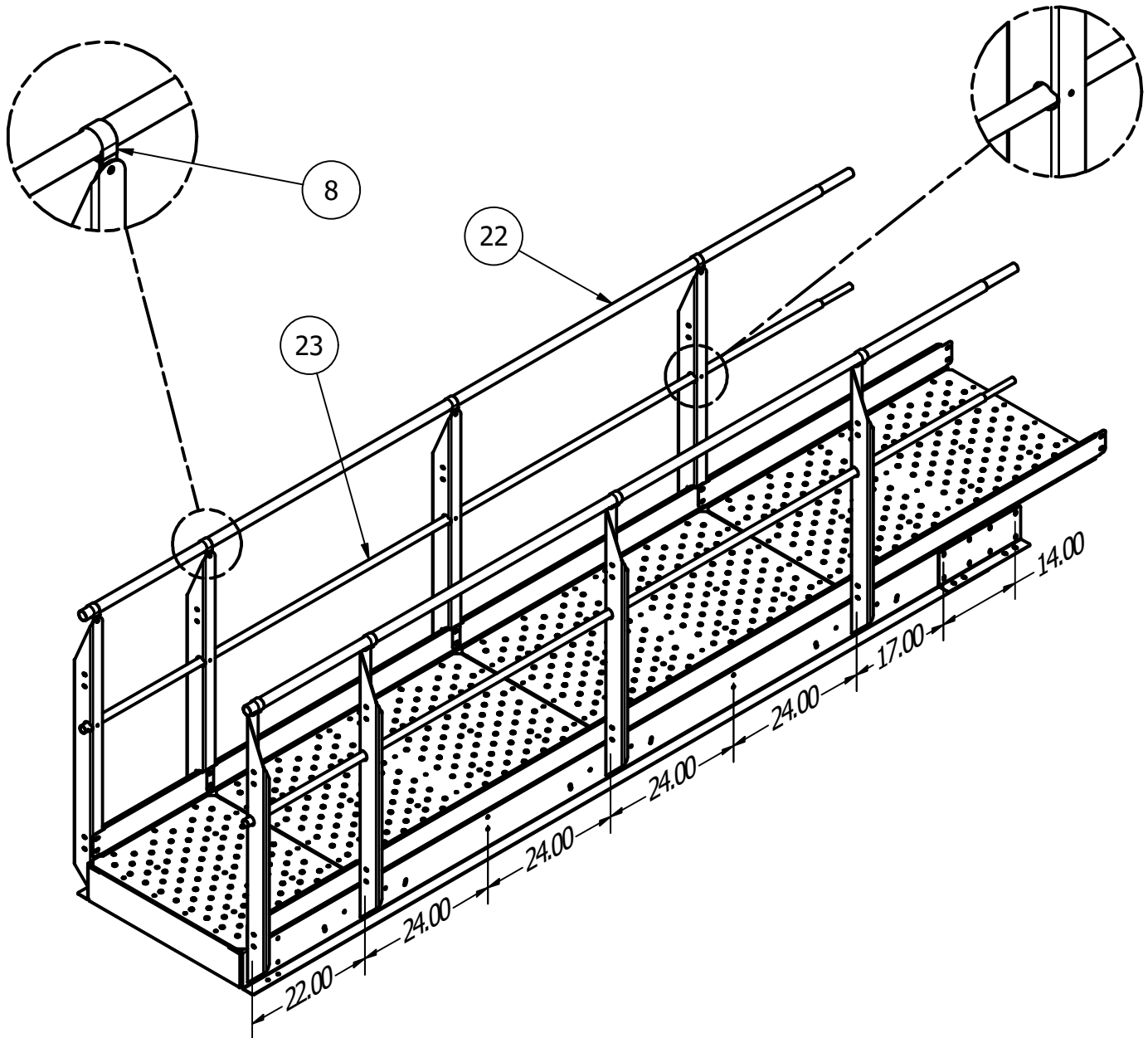
12' Manwalk (End)



## Adding Handrails and Guardrails

PARTS LIST			
ITEM	QTY	PART NUMBER	DESCRIPTION
8	20	HRC1500	Handrail Clamp for 1.5 in
22	4	TR1515006	150 in x1.5 in Railing 6 in Swage
23	4	TR1015006	150 in 1 in dia tubing 6 in swage

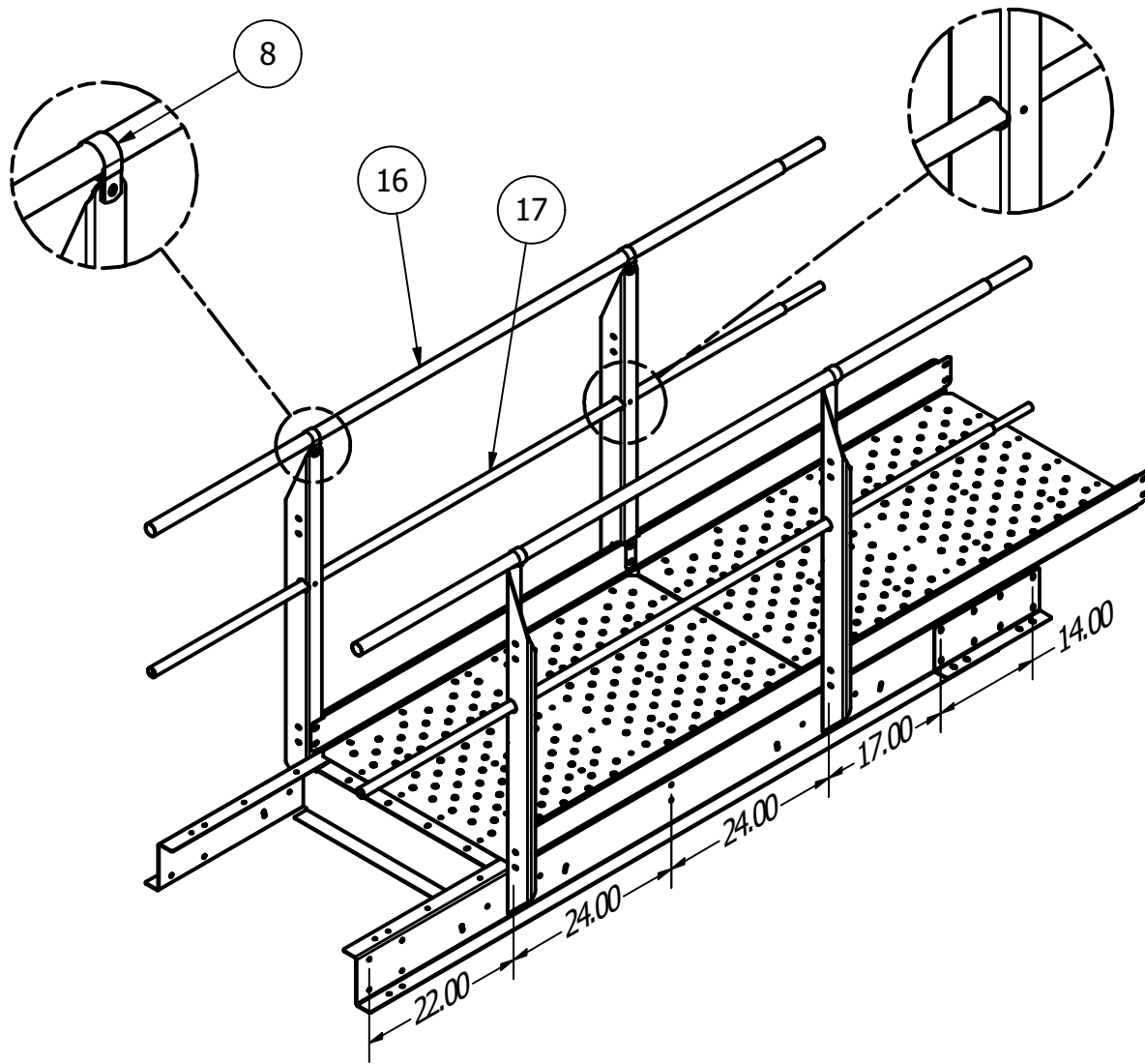
### 12' Manwalk (Beginning)



# Adding Handrails and Guardrails

PARTS LIST			
ITEM	QTY	PART NUMBER	DESCRIPTION
8	20	HRC1500	Handrail Clamp for 1.5 in
16	2	TR1510206	102 in x1.5 in Railing 6 in Swage
17	2	TR1010206	102 in 1 in dia tubing 6in swage

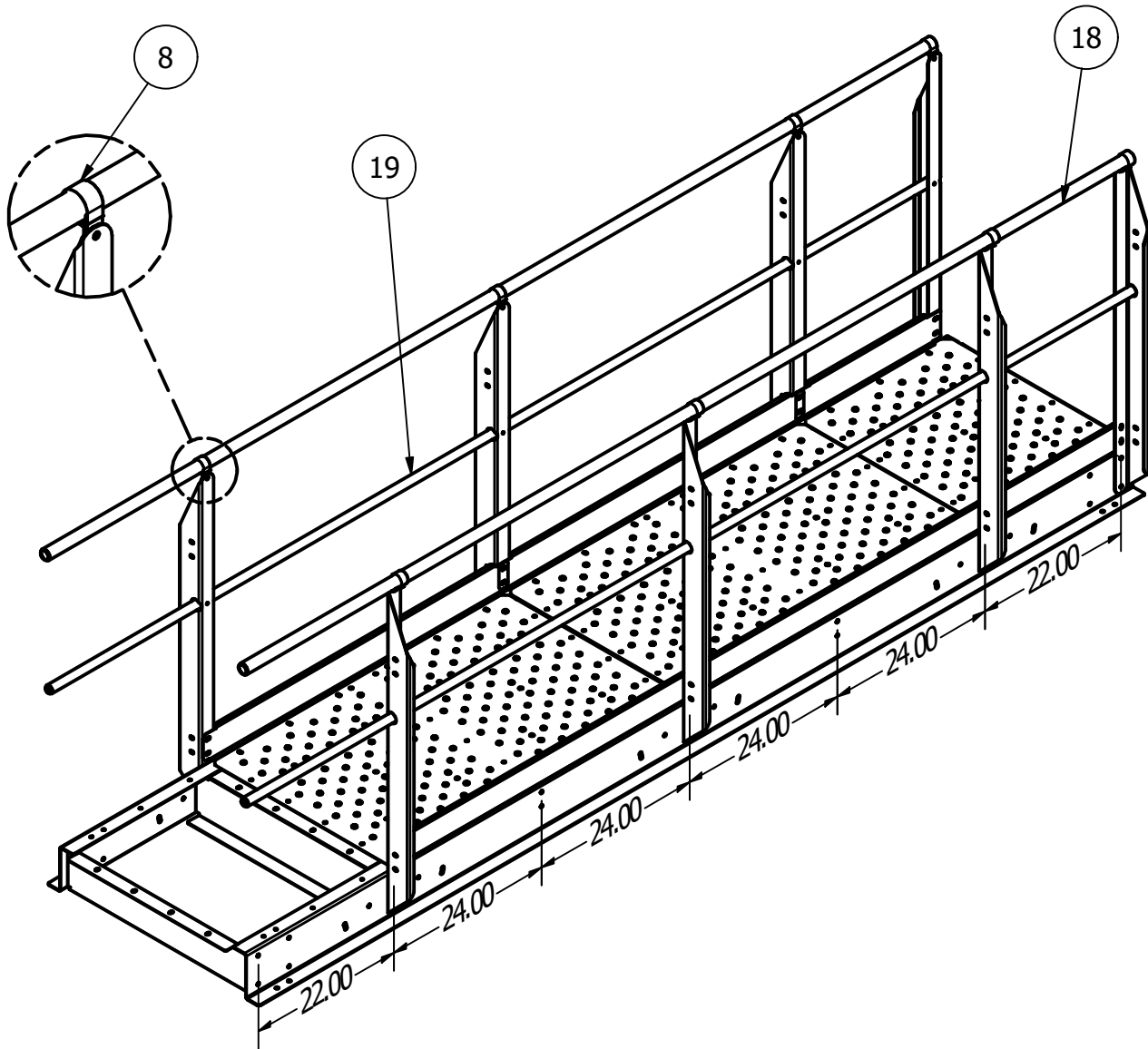
8' Manwalk



## Adding Handrails and Guardrails

PARTS LIST			
ITEM	QTY	PART NUMBER	DESCRIPTION
8	20	HRC1500	Handrail Clamp for 1.5 in
18	4	TR1514400	144 in x1.5 in Railing No Swage
19	4	TR1014400	144 in x1.0 in Railing No Swage

12' Manwalk (End)





# General Dimensions

