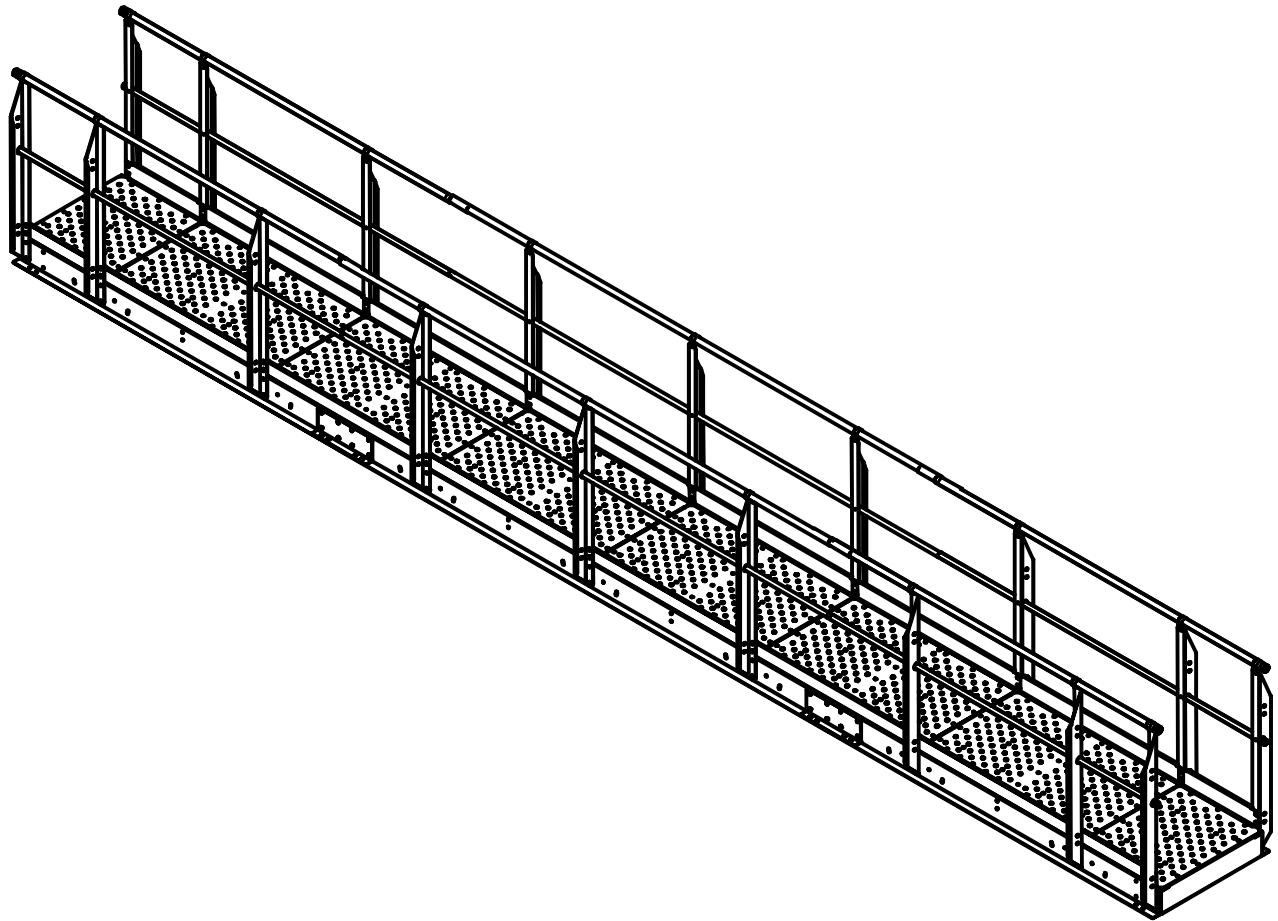


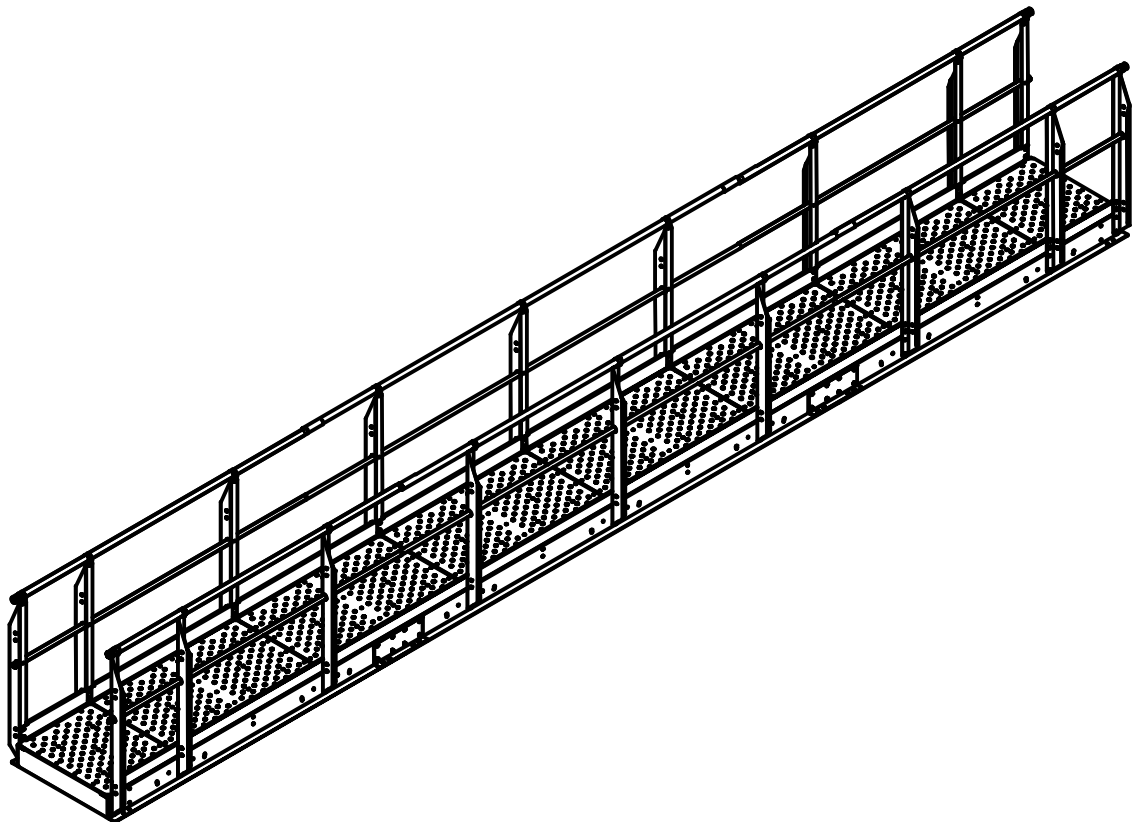
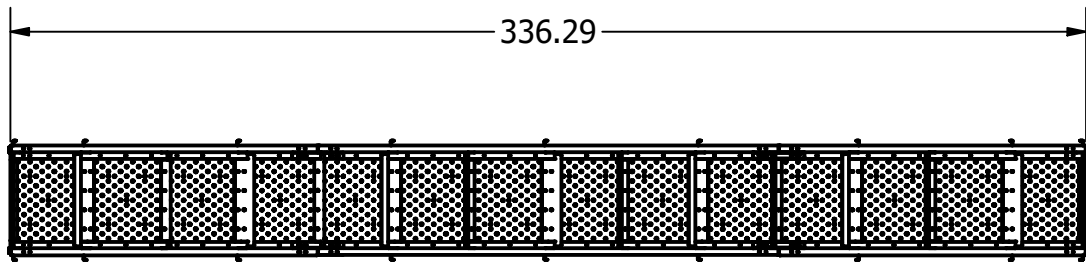
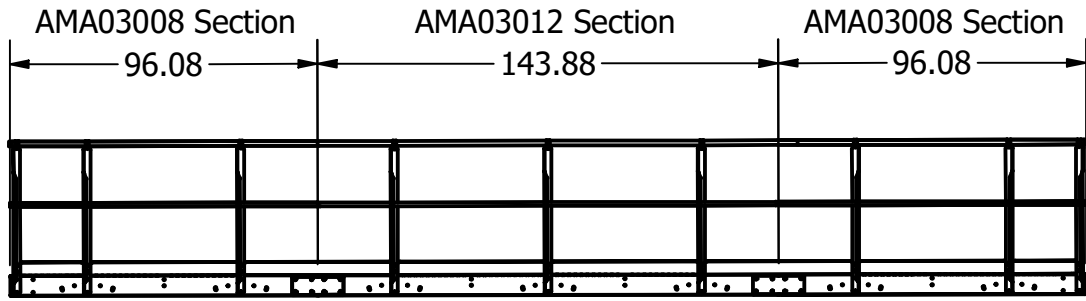
AMA03028

Assembly Instructions



Greene Galvanized Stairs

Master Assembly

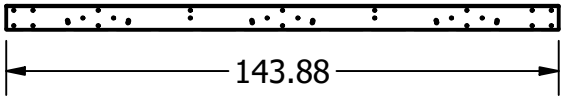


AMA03028 Parts ID

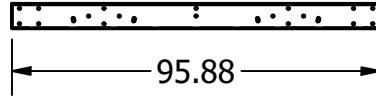
PARTS LIST			
ITEM	QTY	PART NUMBER	DESCRIPTION
1	2	AM-06144	Z Rail, 6" x 2" x 144"
2	7	AM-20002	Post Cross Support
3	4	AM-20003	Mid Cross Support
4	6	AM-64830	Deck Tread, 48" x 30"
5	8	AM-50001	Z Rail Splice Plate
6	9	AM-30002	Right Post
7	9	AM-30001	Left Post
8	18	HRC1500	Handrail Clamp for 1.5 in
9	18	Floor Screw	Floor Screw (Self Drill)
10	2	TR1515006	150 in x1.5 in Railing 6 in Swage
11	2	TR1015006	150 in 1 in dia tubing 6in swage
12	12	AM-40001	Kickboard, 48"
13	2	AM-20004	Splice Cross Support
14	2	AM-20001	End Cross Support
15	2	AM-62430	Deck Tread, 24" x 30"
16	4	AM-40002	Kickboard, 24"
17	4	AM-06096	Z Rail,6"X2"X96"
18	4	TR1009600	96 in 1 in dia tubing No Swage
19	4	TR1509600	96 in x1.5 in Railing No Swage
20	4	TR1510206	102 in x1.5 in Railing 6 in Swage
21	4	TR1010206	102 in 1 in dia tubing 6in swage

AMA03028 Parts ID

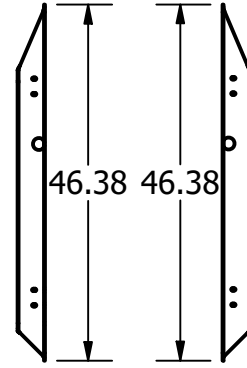
AM-06144



AM-06096



AM-30001 AM-30002

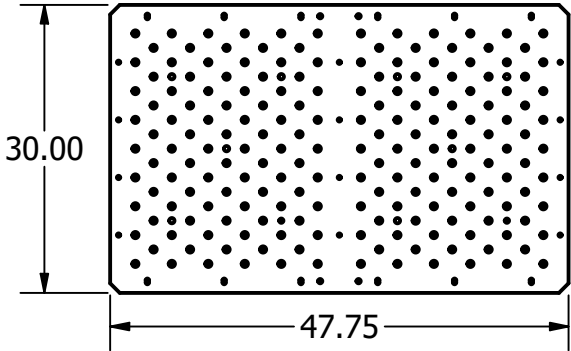


HRC1500

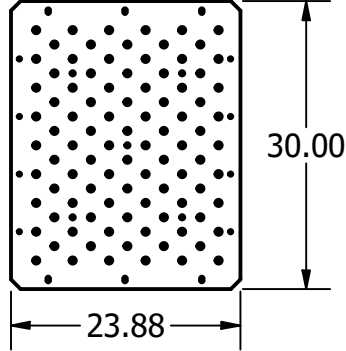


FLOOR SCREW

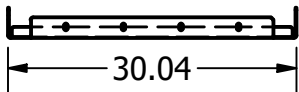
AM-64830



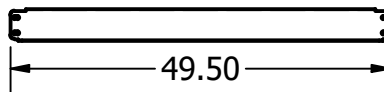
AM-62430



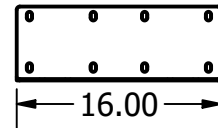
AM-20001



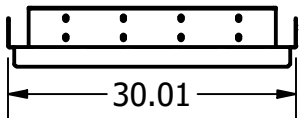
AM-40001



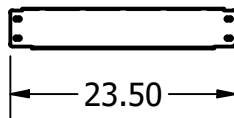
AM-50001



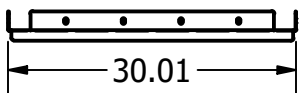
AM-20002



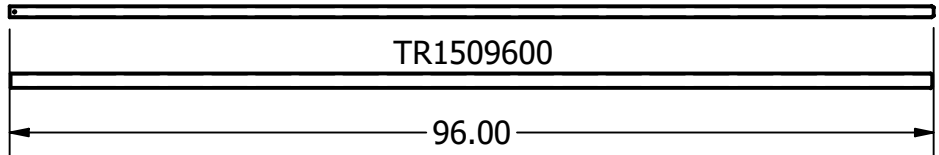
AM-40002



AM-20003

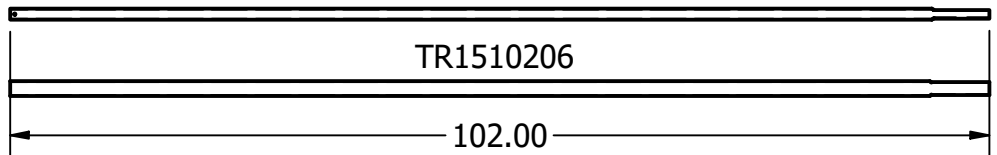


TR1009600



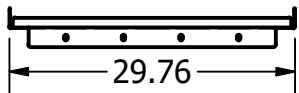
TR1509600

TR1010206

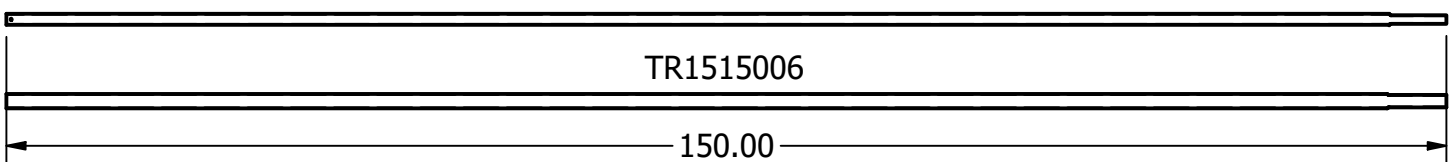


TR1510206

AM-20004



TR1015006



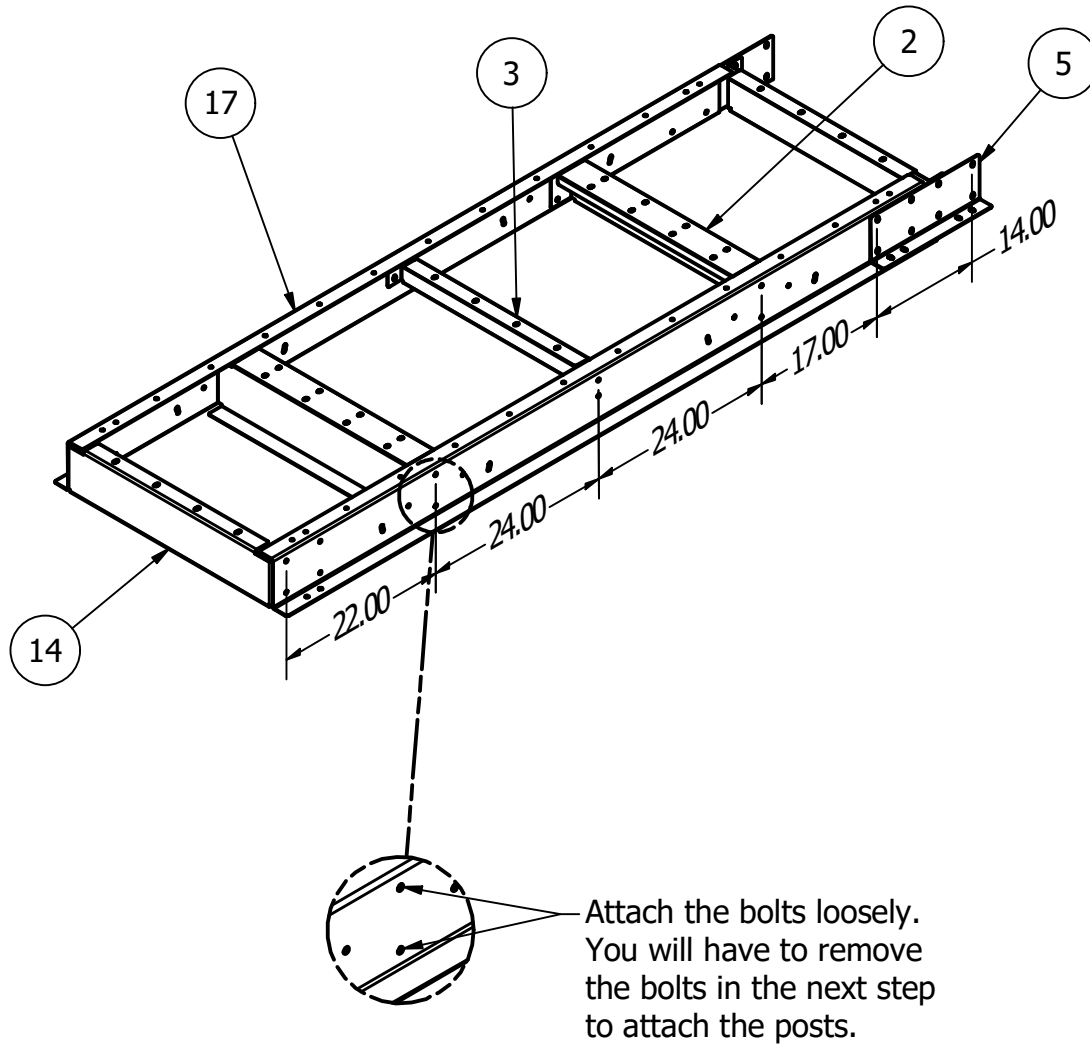
TR1515006

All units in inches

Adding Cross Support to Side Rails

PARTS LIST			
ITEM	QTY	PART NUMBER	DESCRIPTION
2	7	AM-20002	Post Cross Support
3	4	AM-20003	Mid Cross Support
5	8	AM-50001	Z Rail Splice Plate
14	2	AM-20001	End Cross Support
17	4	AM-06096	Z Rail, 6"X2"X96"

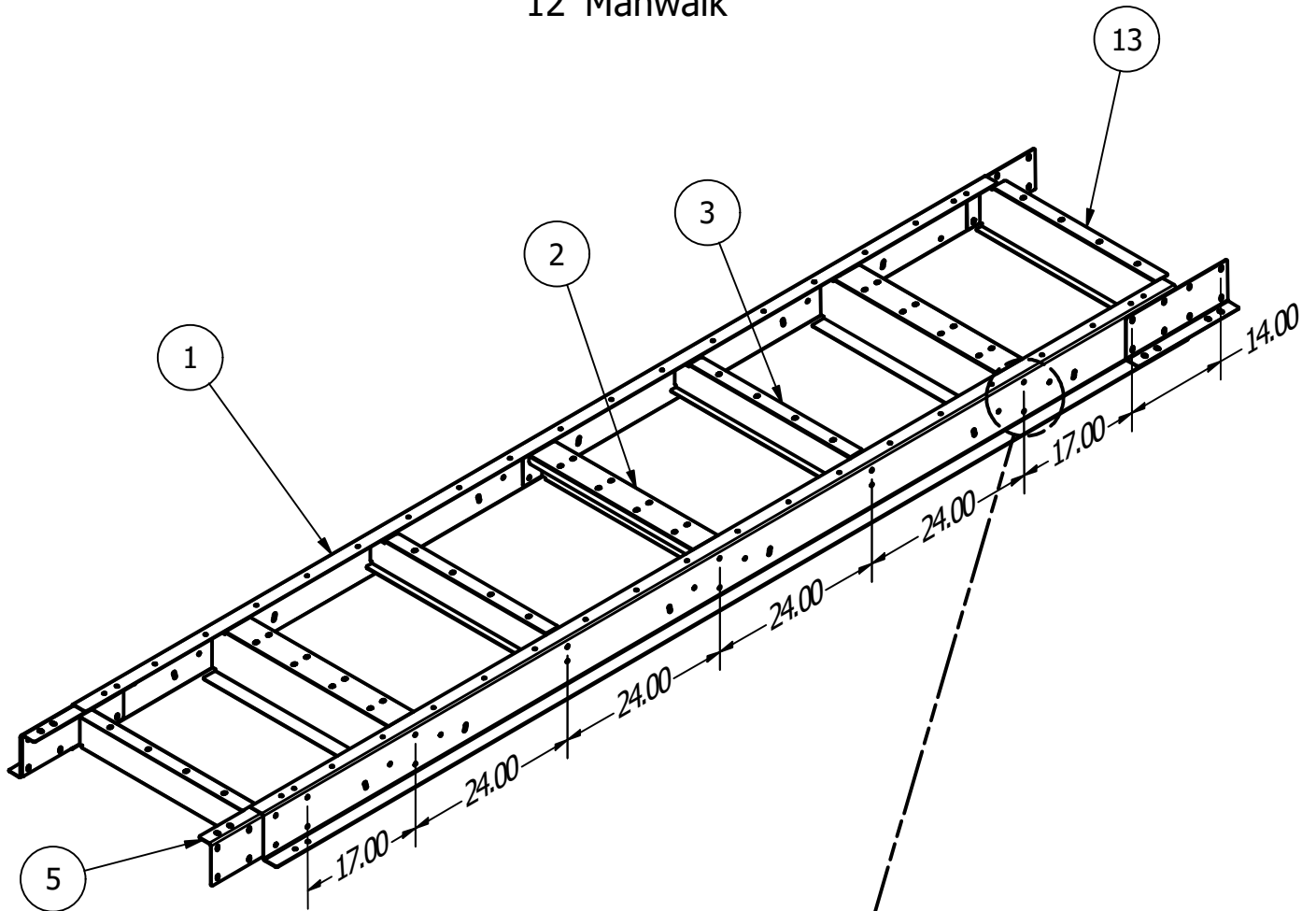
8' Manwalk (Beginning)



Adding Cross Support to Side Rails

PARTS LIST			
ITEM	QTY	PART NUMBER	DESCRIPTION
1	2	AM-06144	Z Rail, 6" x 2" x 144"
2	7	AM-20002	Post Cross Support
3	4	AM-20003	Mid Cross Support
5	8	AM-50001	Z Rail Splice Plate
13	2	AM-20004	Splice Cross Support

12' Manwalk

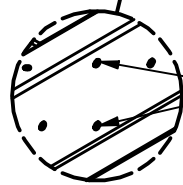
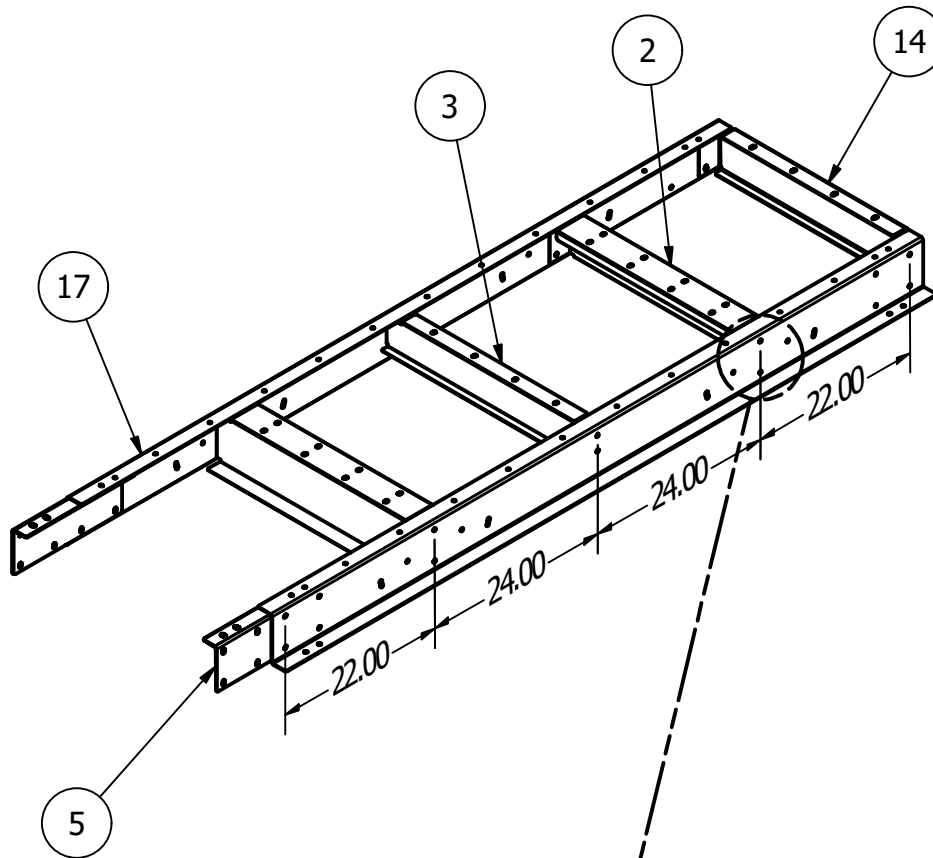


Attach the bolts loosely. You will have to remove the bolts in the next step to attach the posts.

Adding Cross Support to Side Rails

PARTS LIST			
ITEM	QTY	PART NUMBER	DESCRIPTION
2	7	AM-20002	Post Cross Support
3	4	AM-20003	Mid Cross Support
5	8	AM-50001	Z Rail Splice Plate
14	2	AM-20001	End Cross Support
17	4	AM-06096	Z Rail, 6"X2"X96"

8' Manwalk (End)

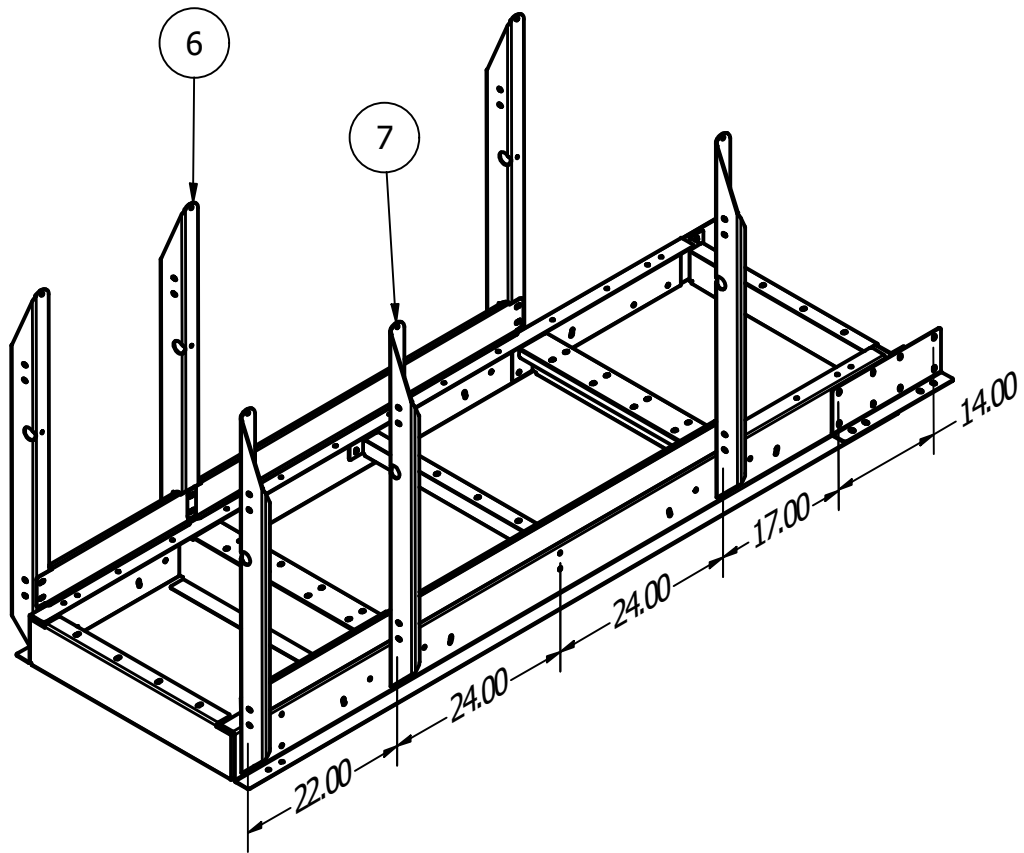


Attach the bolts loosely. You will have to remove the bolts in the next step to attach the posts.

Adding Left and Right Posts

PARTS LIST			
ITEM	QTY	PART NUMBER	DESCRIPTION
6	9	AM-30002	Right Post
7	9	AM-30001	Left Post

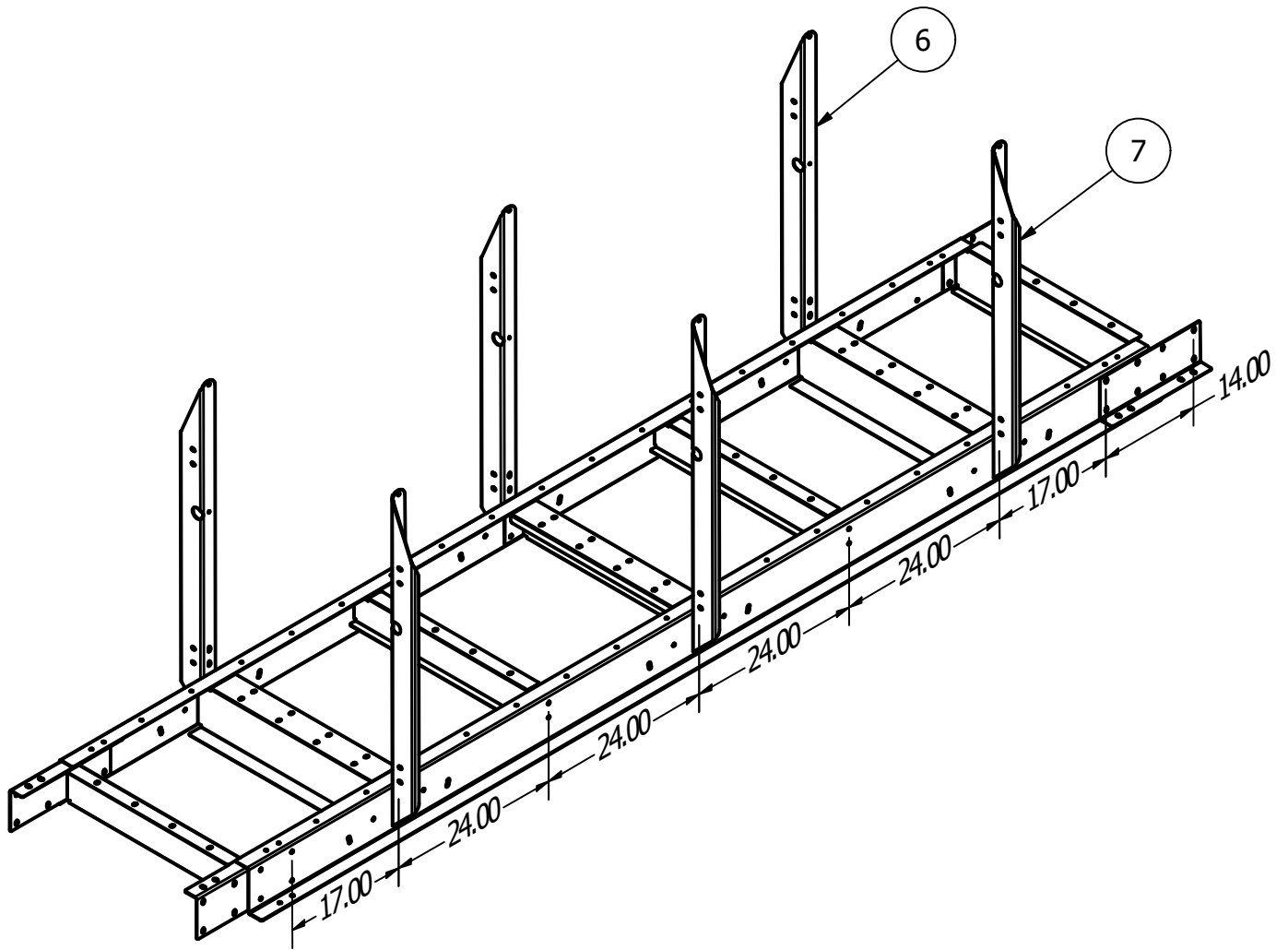
8' Manwalk (Beginning)



Adding Left and Right Posts

PARTS LIST			
ITEM	QTY	PART NUMBER	DESCRIPTION
6	9	AM-30002	Right Post
7	9	AM-30001	Left Post

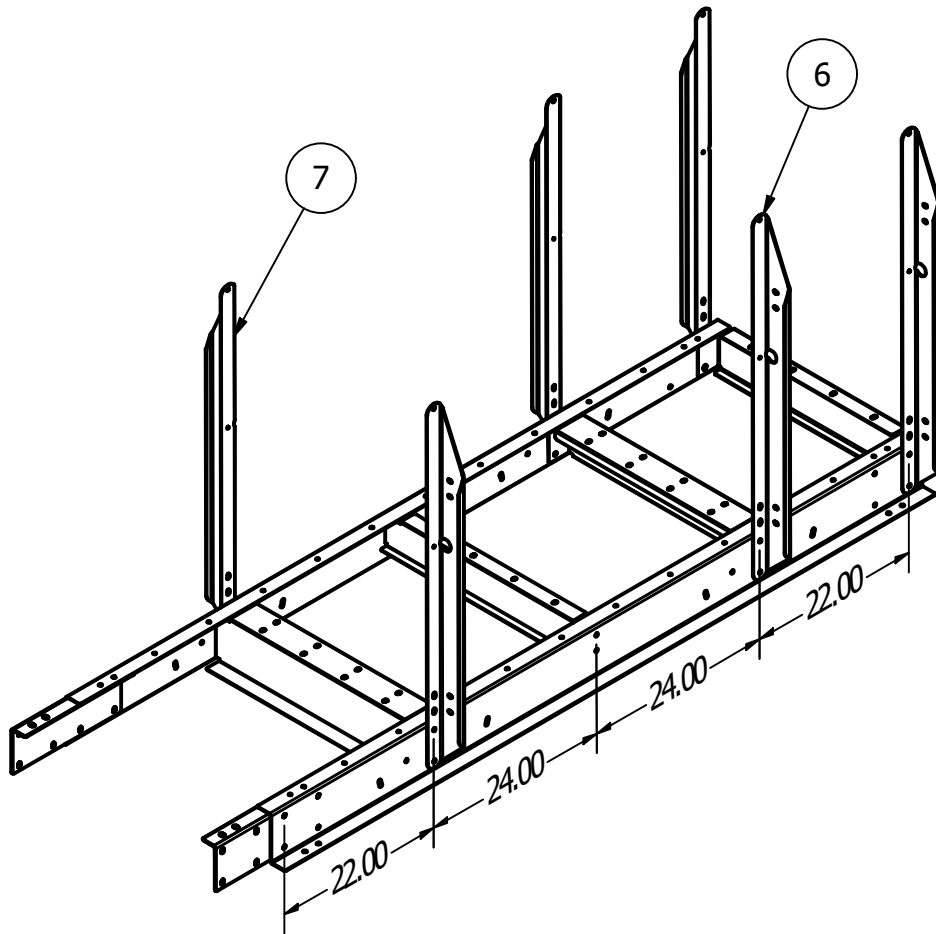
12' Manwalk



Adding Left and Right Posts

PARTS LIST			
ITEM	QTY	PART NUMBER	DESCRIPTION
6	9	AM-30002	Right Post
7	9	AM-30001	Left Post

8' Manwalk (End)

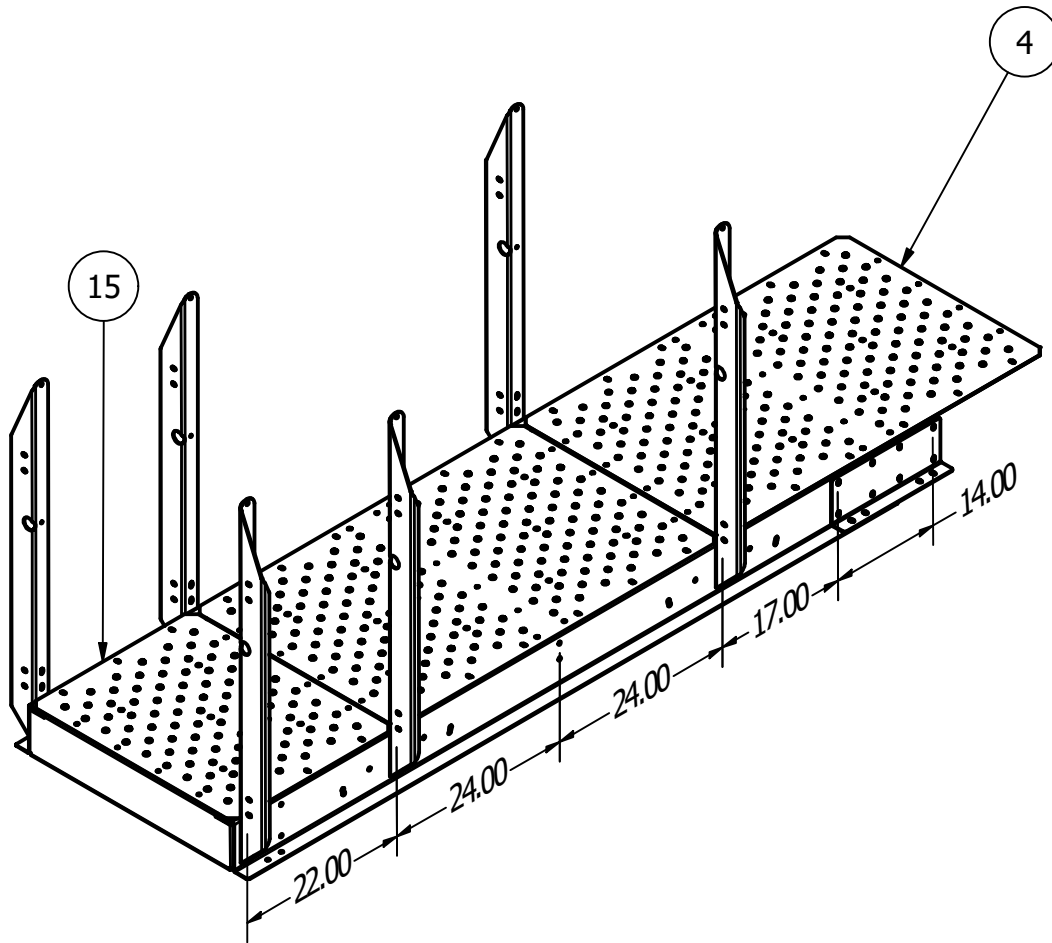


Adding Decks

PARTS LIST

ITEM	QTY	PART NUMBER	DESCRIPTION
4	6	AM-64830	Deck Tread, 48" x 30"
15	2	AM-62430	Deck Tread, 24" x 30"

8' Manwalk (Beginning)

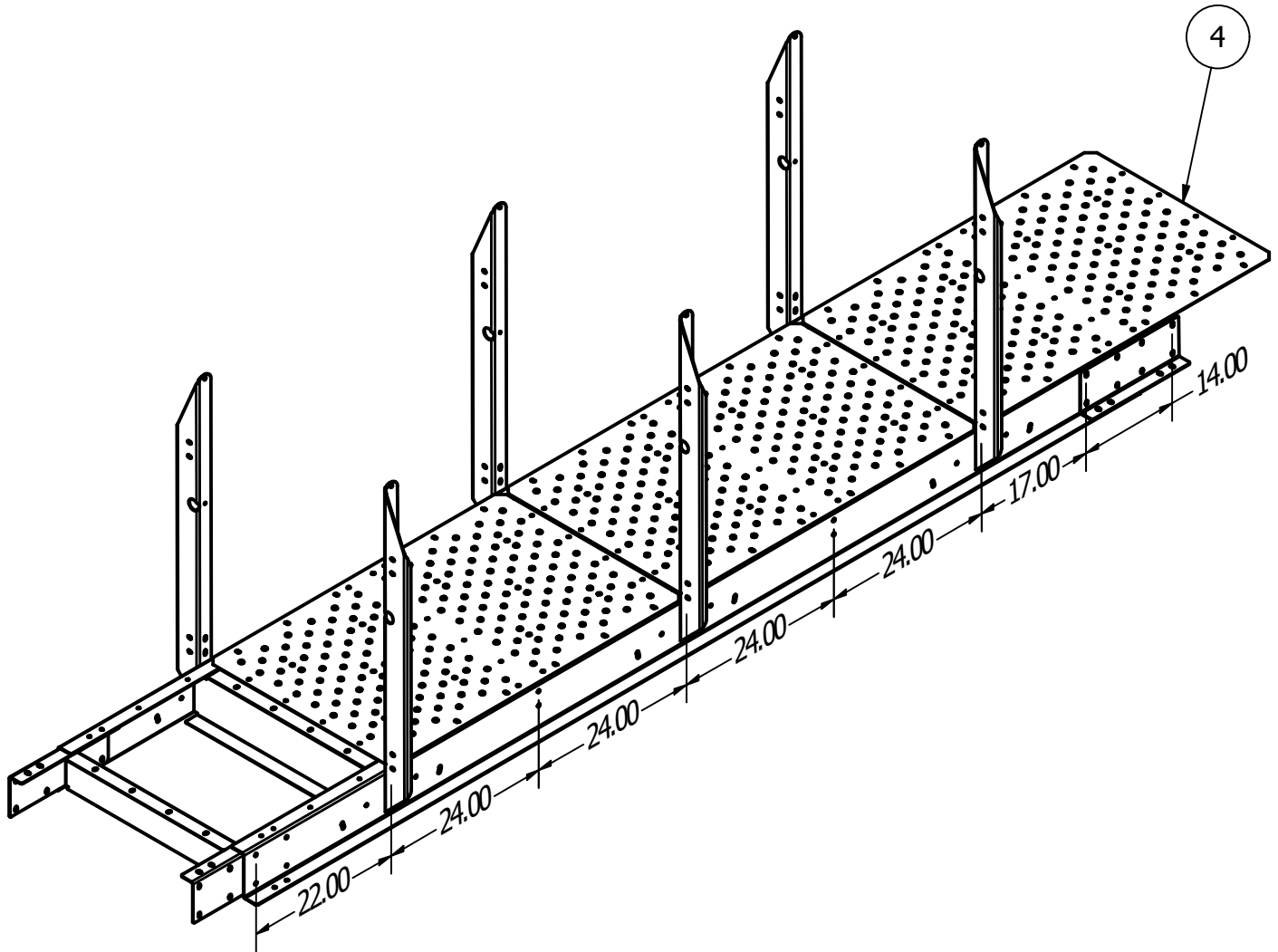


Adding Decks

PARTS LIST

ITEM	QTY	PART NUMBER	DESCRIPTION
4	6	AM-64830	Deck Tread, 48" x 30"

12' Manwalk

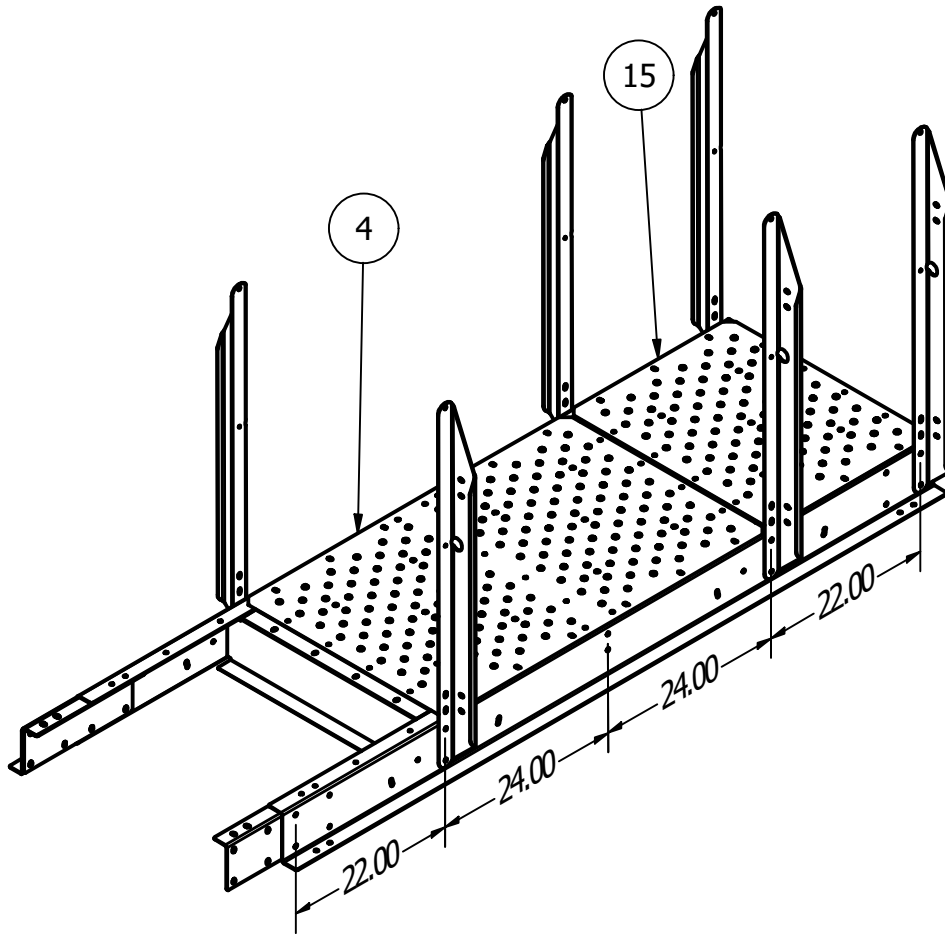


Adding Decks

PARTS LIST

ITEM	QTY	PART NUMBER	DESCRIPTION
4	6	AM-64830	Deck Tread, 48" x 30"
15	2	AM-62430	Deck Tread, 24" x 30"

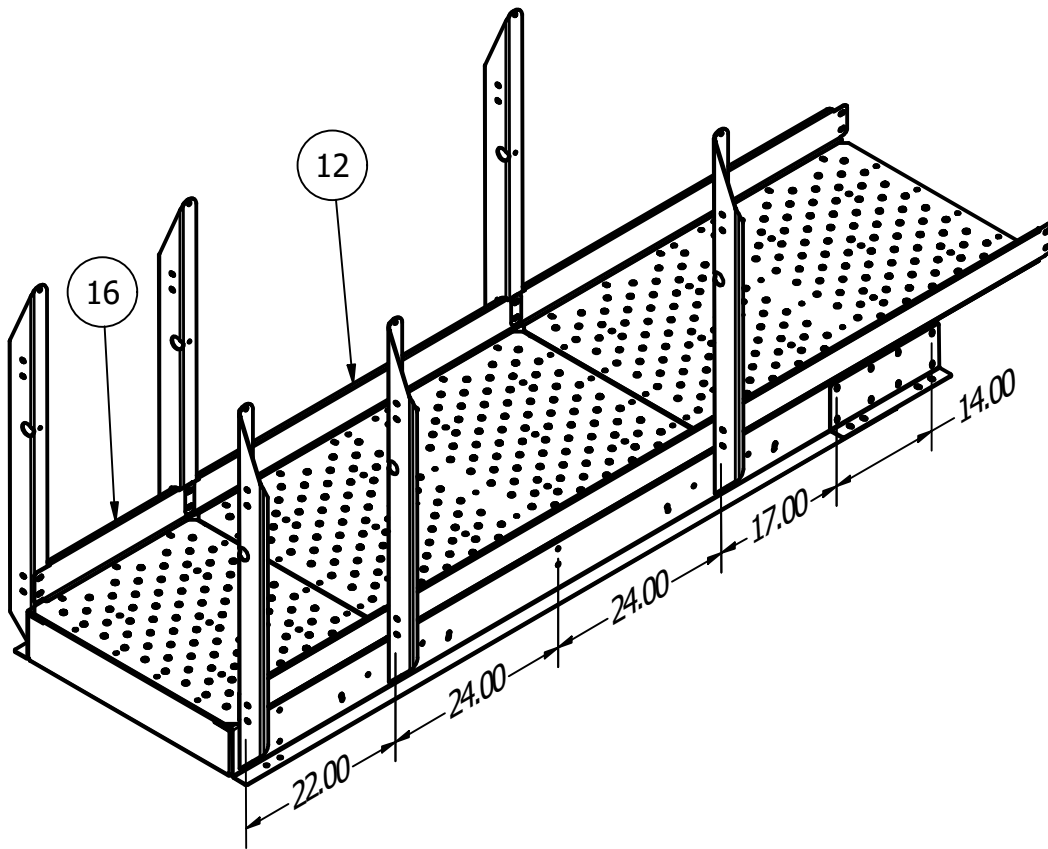
8' Manwalk (End)



Adding Kickboards

PARTS LIST			
ITEM	QTY	PART NUMBER	DESCRIPTION
12	12	AM-40001	Kickboard, 48"
16	4	AM-40002	Kickboard, 24"

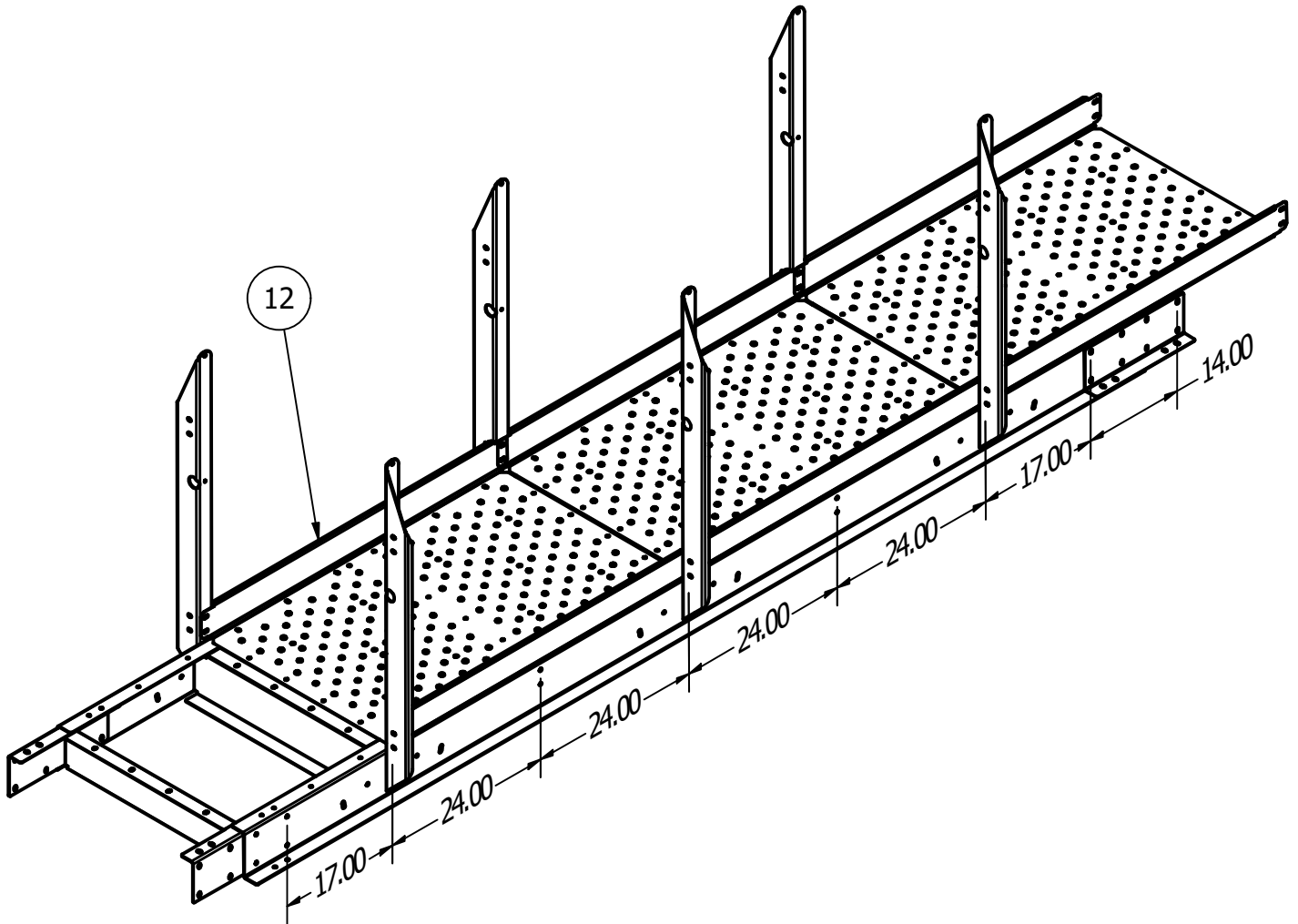
8' Manwalk (Beginning)



Adding Kickboards

PARTS LIST			
ITEM	QTY	PART NUMBER	DESCRIPTION
12	12	AM-40001	Kickboard, 48"

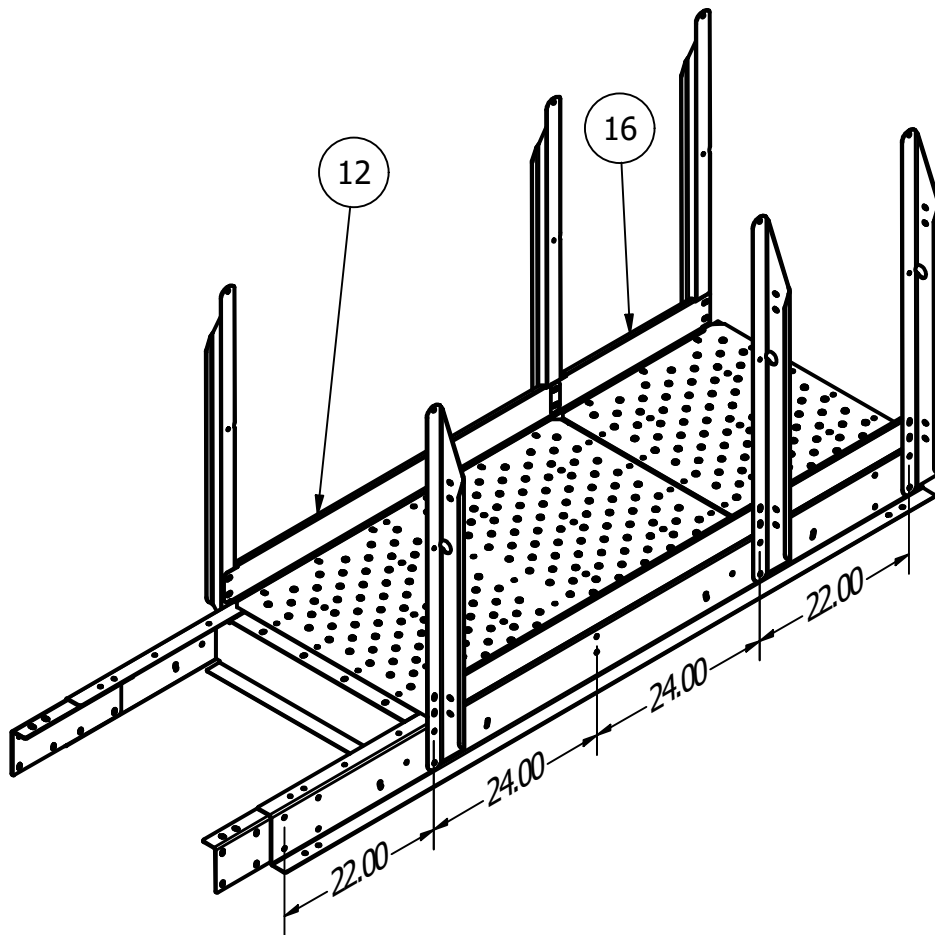
12' Manwalk



Adding Kickboards

PARTS LIST			
ITEM	QTY	PART NUMBER	DESCRIPTION
12	12	AM-40001	Kickboard, 48"
16	4	AM-40002	Kickboard, 24"

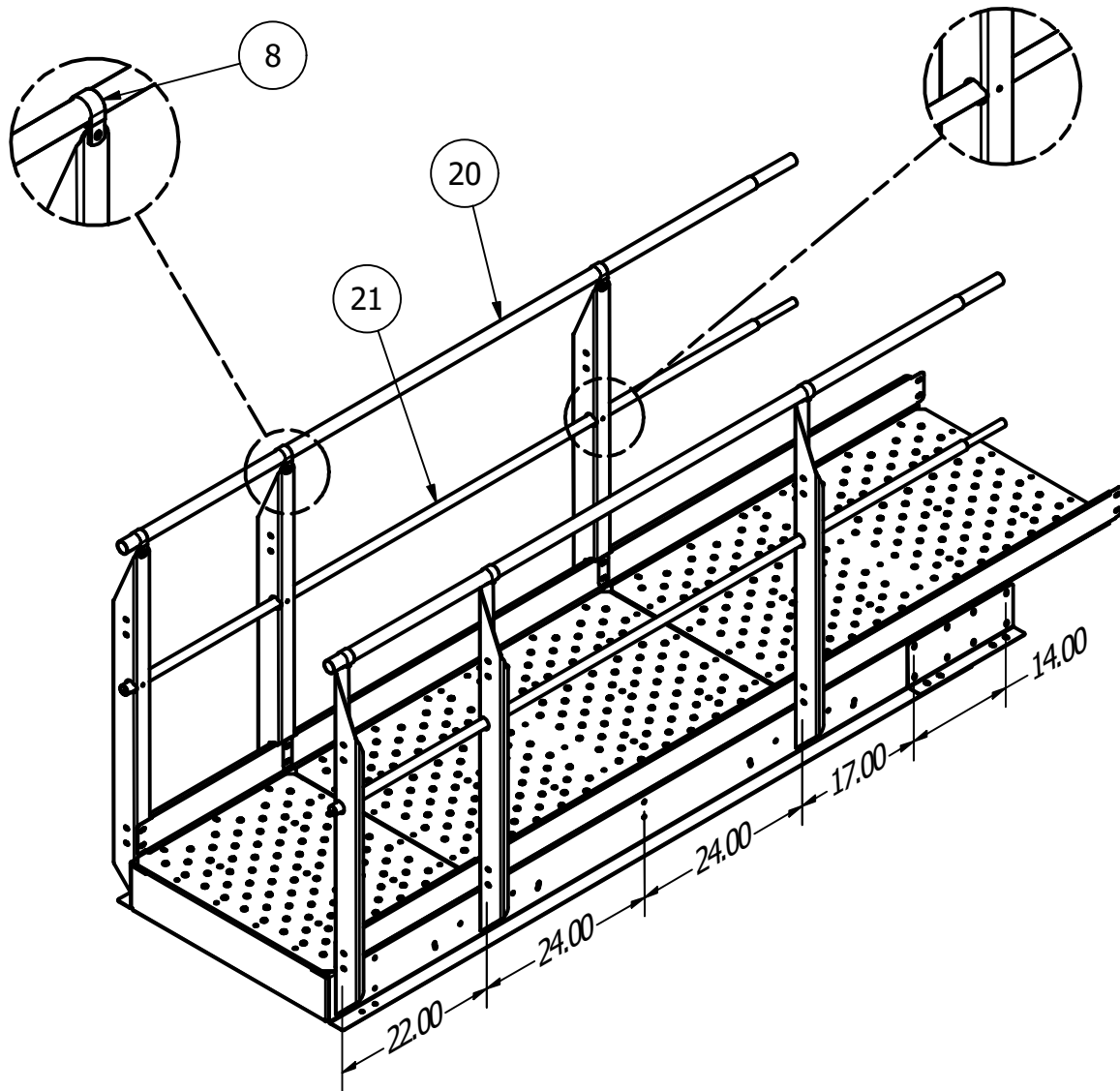
8' Manwalk (End)



Adding Handrails and Guardrails

PARTS LIST			
ITEM	QTY	PART NUMBER	DESCRIPTION
8	18	HRC1500	Handrail Clamp for 1.5 in
20	4	TR1510206	102 in x1.5 in Railing 6 in Swage
21	4	TR1010206	102 in 1 in dia tubing 6in swage

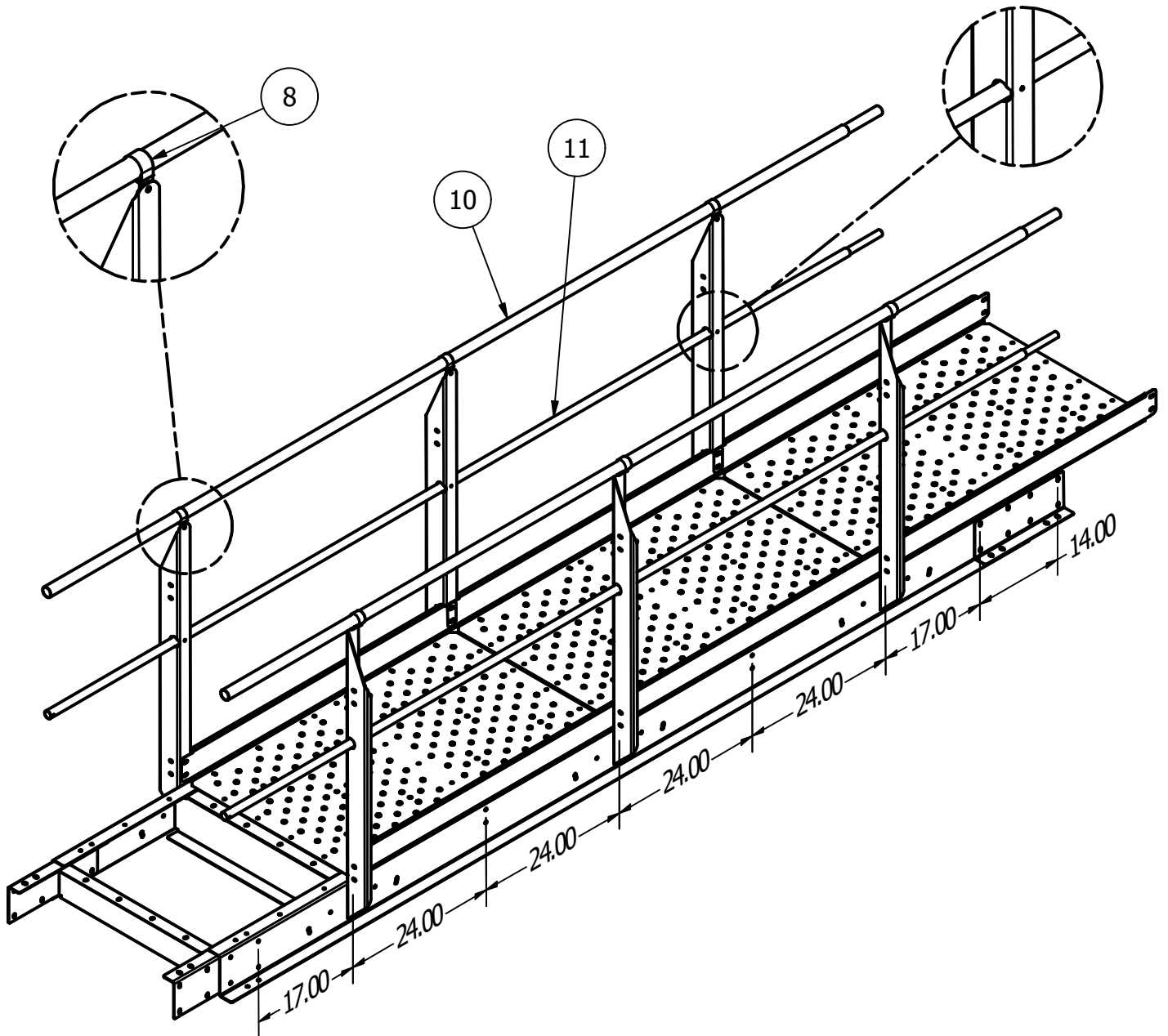
8' Manwalk (Beginning)



Adding Handrails and Guardrails

PARTS LIST			
ITEM	QTY	PART NUMBER	DESCRIPTION
8	18	HRC1500	Handrail Clamp for 1.5 in
10	2	TR1515006	150 in x1.5 in Railing 6 in Swage
11	2	TR1015006	150 in 1 in dia tubing 6in swage

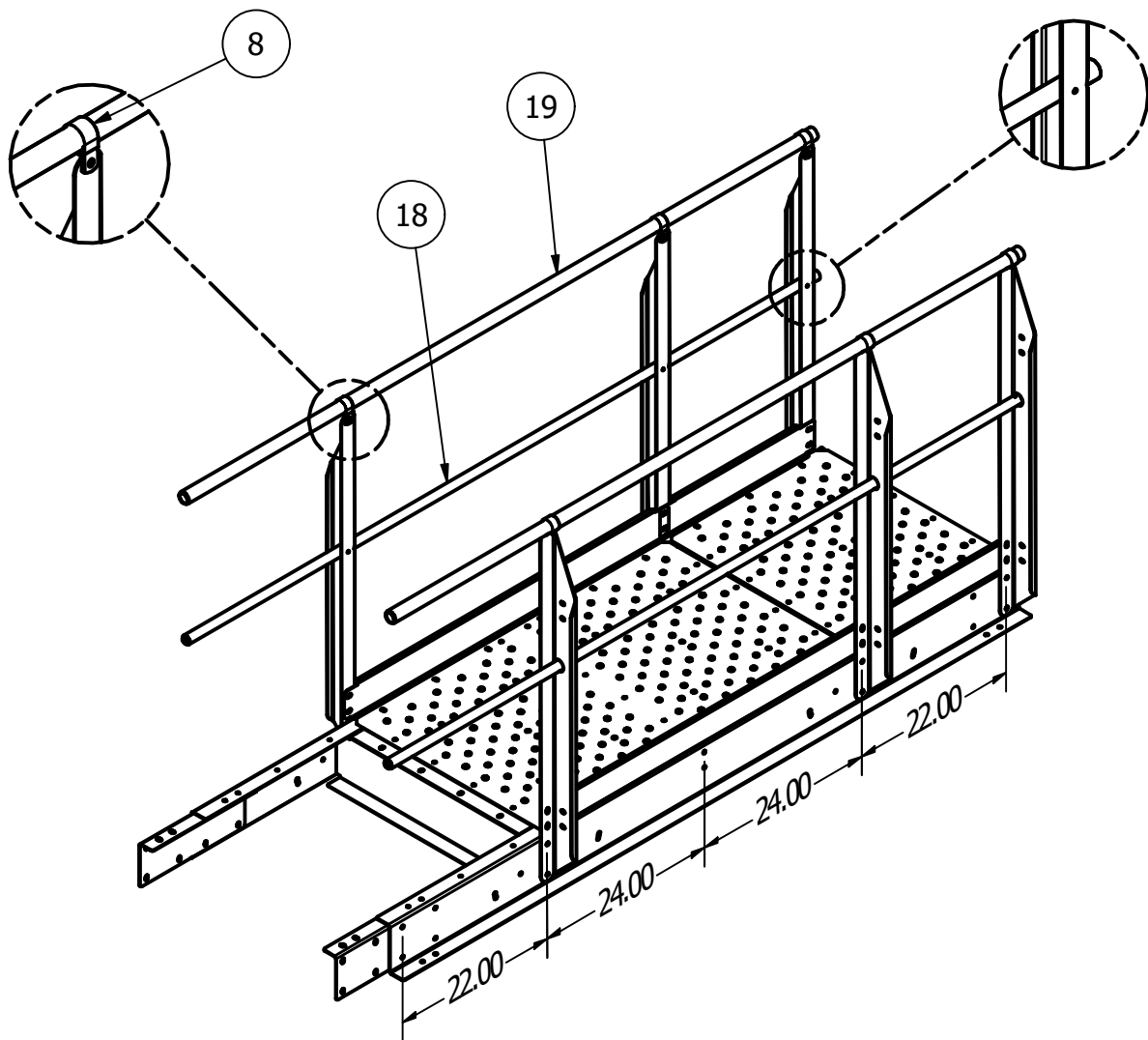
12' Manwalk



Adding Handrails and Guardrails

PARTS LIST			
ITEM	QTY	PART NUMBER	DESCRIPTION
8	18	HRC1500	Handrail Clamp for 1.5 in
18	4	TR1009600	96 in 1 in dia tubing No Swage
19	4	TR1509600	96 in x1.5 in Railing No Swage

8' Manwalk (End)



General Dimensions

