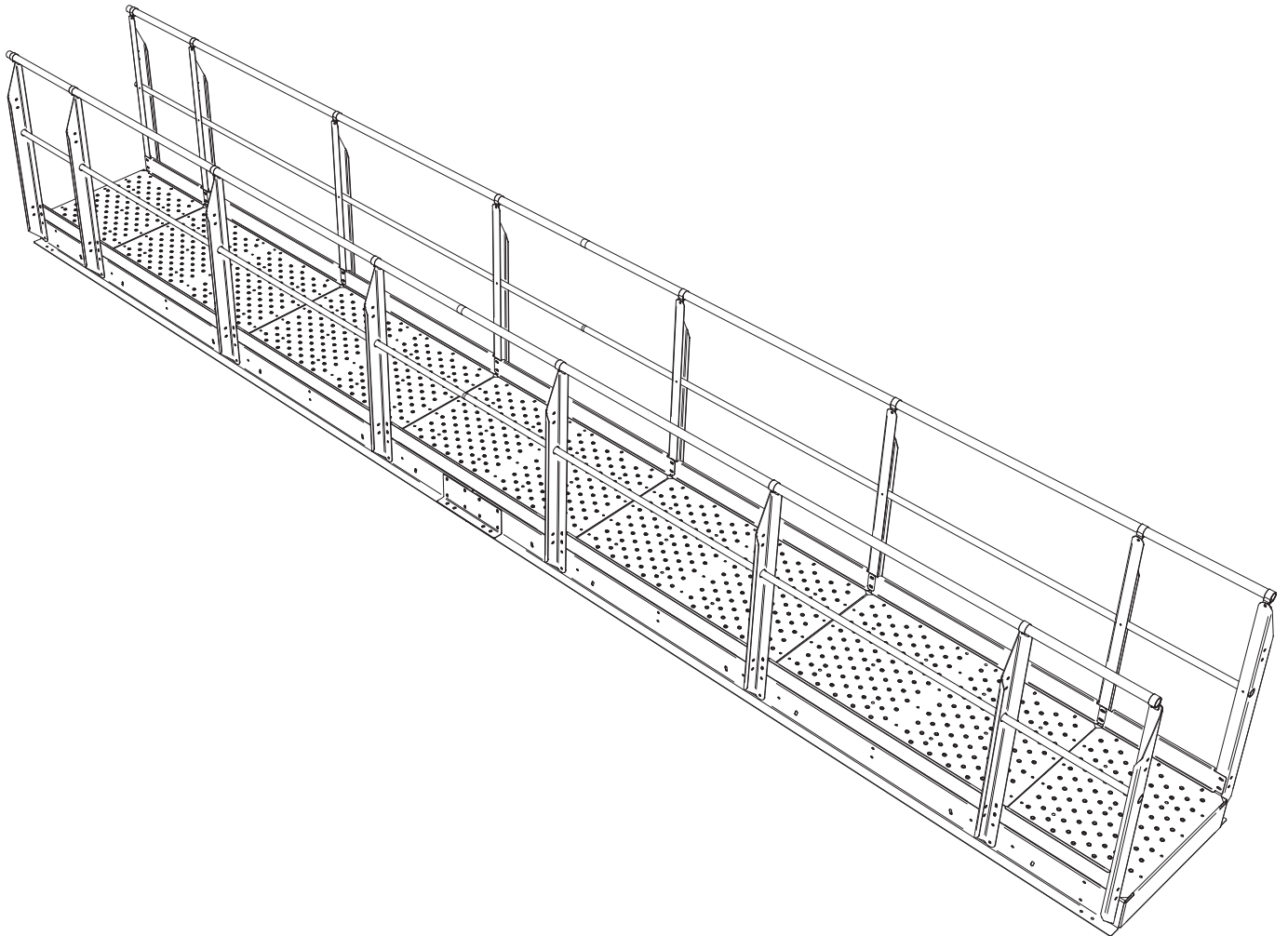


**AMA03024**

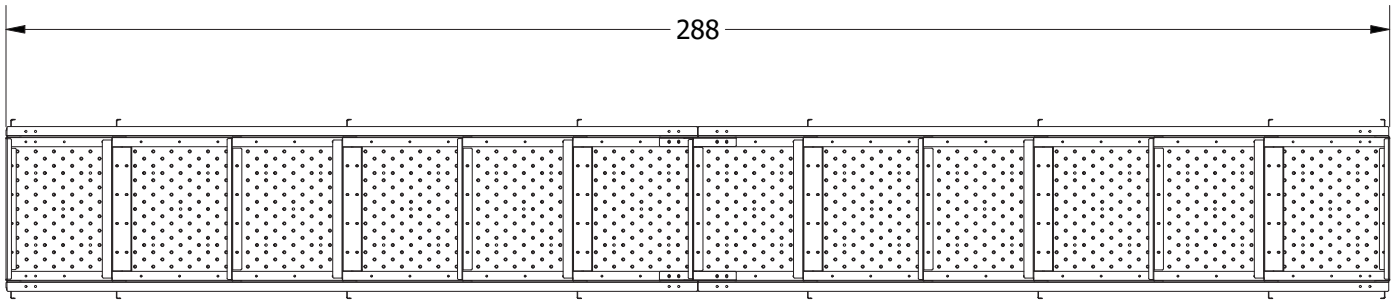
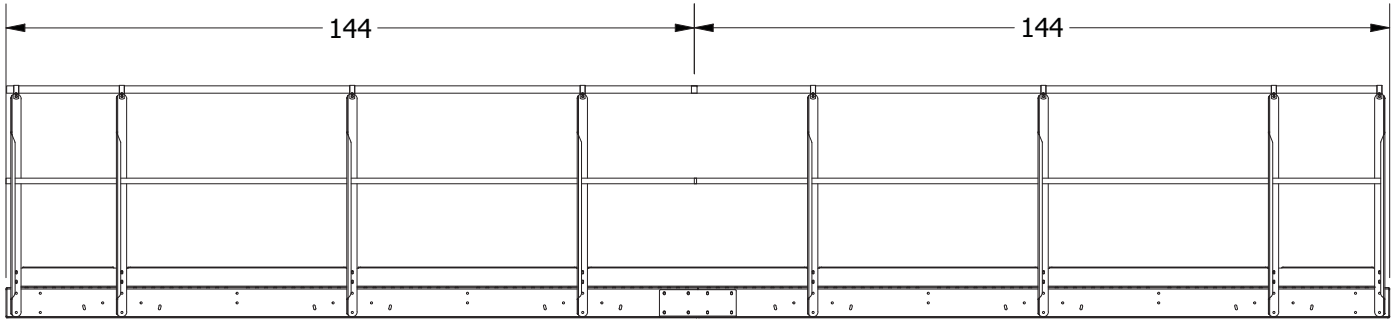
**24' A-Series Manwalk**

**Assembly Instructions**

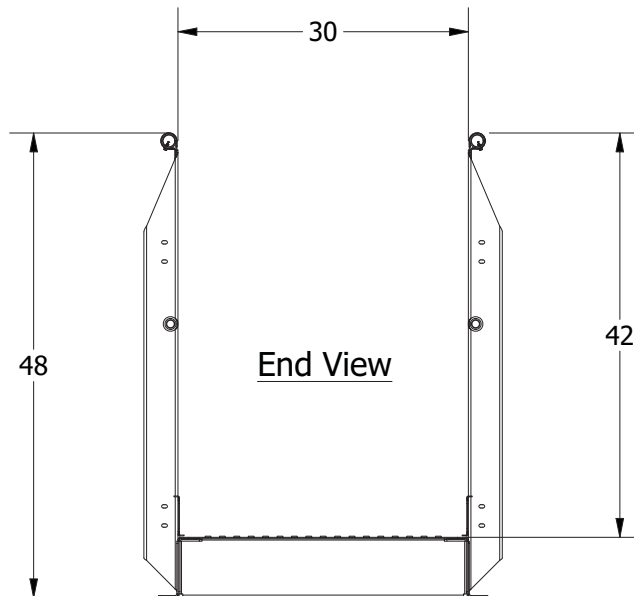


**AMA03024**  
**Assembly and Dimensions**

Side View

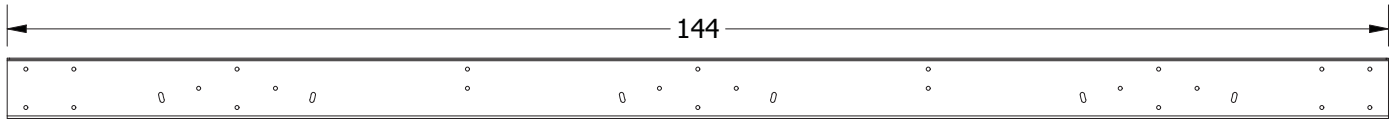


Bottom View

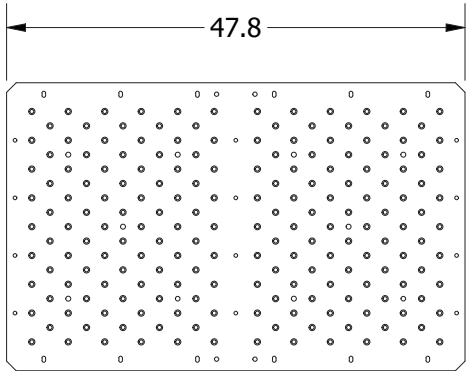


End View

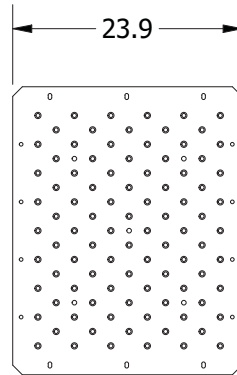
# AMA03024 Parts ID



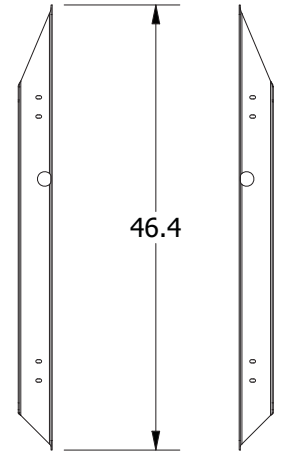
AM-06144



AM-64830

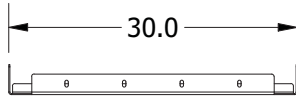


AM-62430

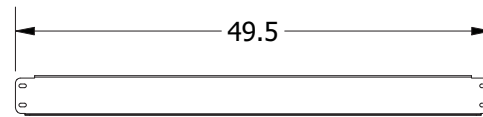


AM-30001

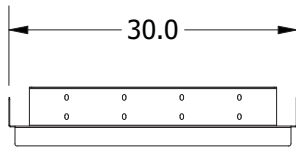
AM-30002



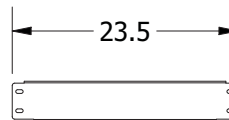
AM-20001



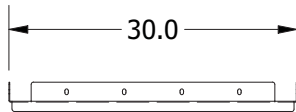
AM-40001



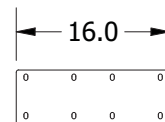
AM-20002



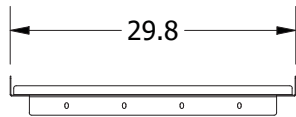
AM-40002



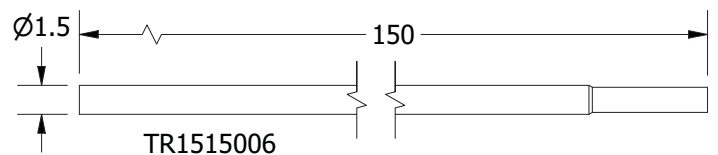
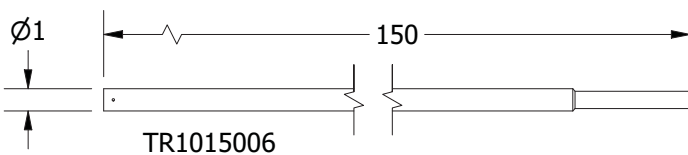
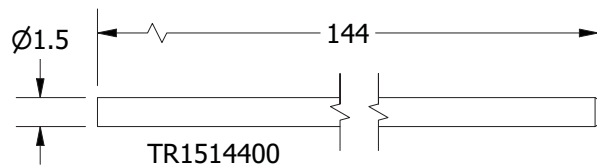
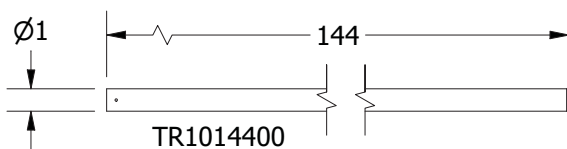
AM-20003



AM-50001

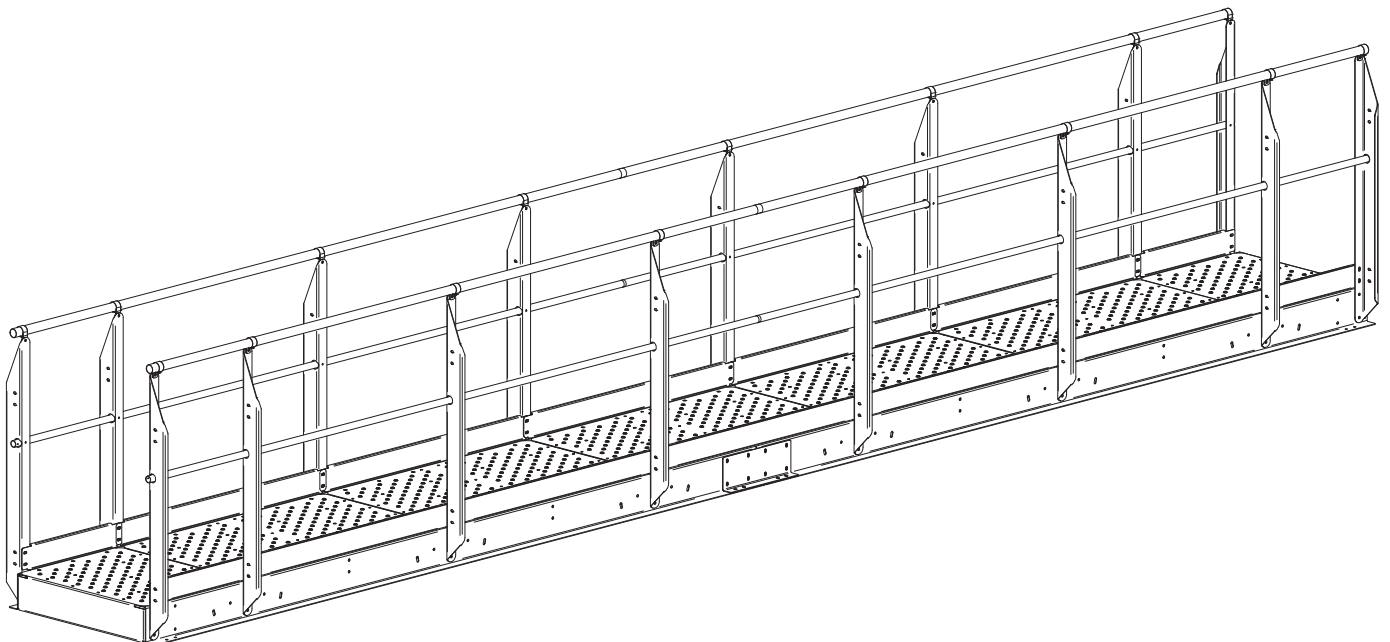


AM-20004

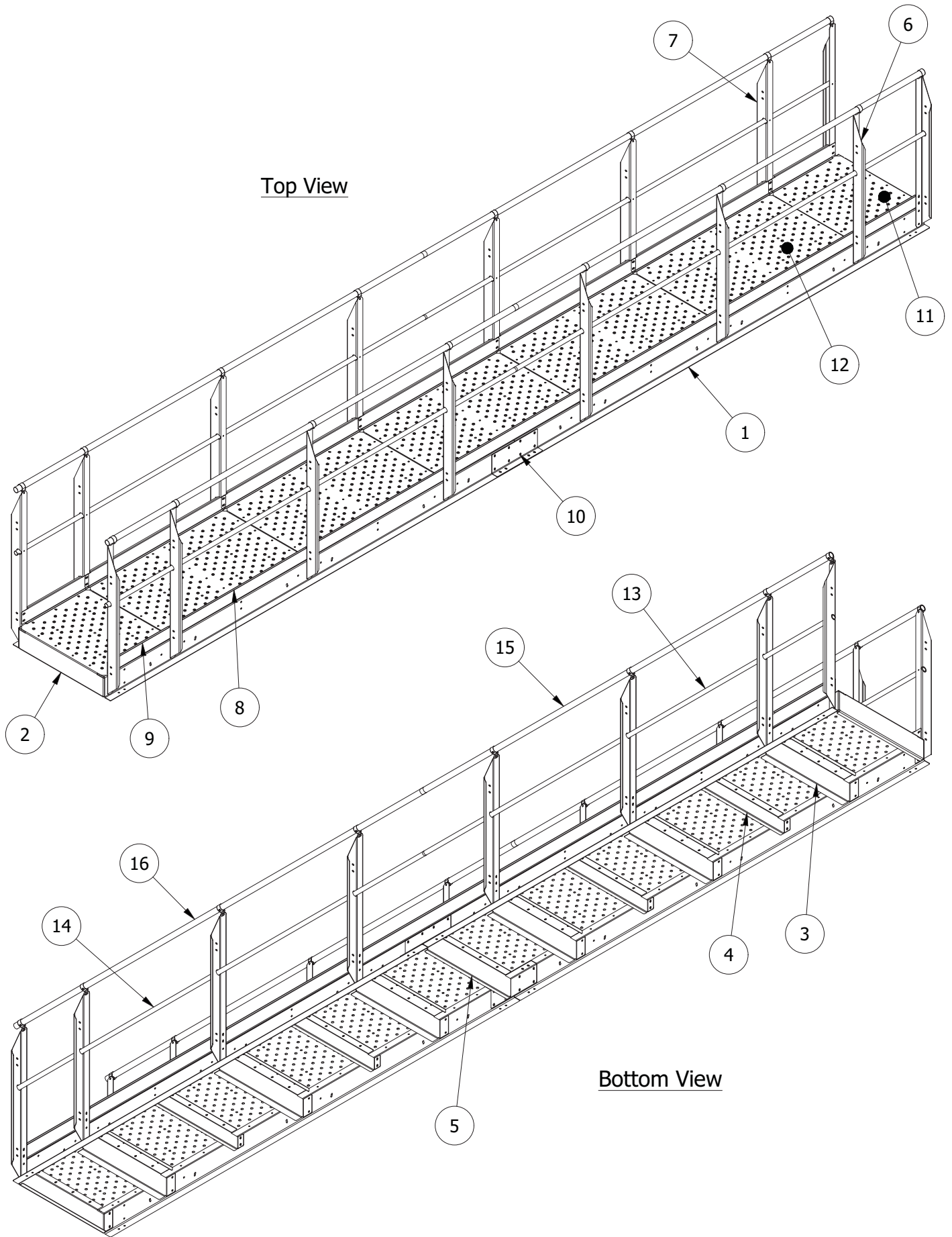


## AMA03024 Parts List

PARTS LIST			
ITEM	QTY	PART NUMBER	DESCRIPTION
1	4	AM-06144	Z Rail, 6" x 2" x 144"
2	2	AM-20001	End Cross Support
3	6	AM-20002	Post Cross Support
4	4	AM-20003	Mid Cross Support
5	1	AM-20004	Splice Cross Support
6	8	AM-30001	Left Post
7	8	AM-30002	Right Post
8	10	AM-40001	Kickboard, 48"
9	4	AM-40002	Kickboard, 24"
10	4	AM-50001	Z Rail Splice Plate
11	2	AM-62430	Deck Tread, 24" x 30"
12	5	AM-64830	Deck Tread, 48" x 30"
13	2	TR1014400	144 in 1.00 Tubing No Swage
14	2	TR1015006	150 in 1.00 Tubing 6 in Swage
15	2	TR1514400	144 in 1.50 Tubing No Swage
16	2	TR1515006	150 in 1.50 Tubing 6 in Swage

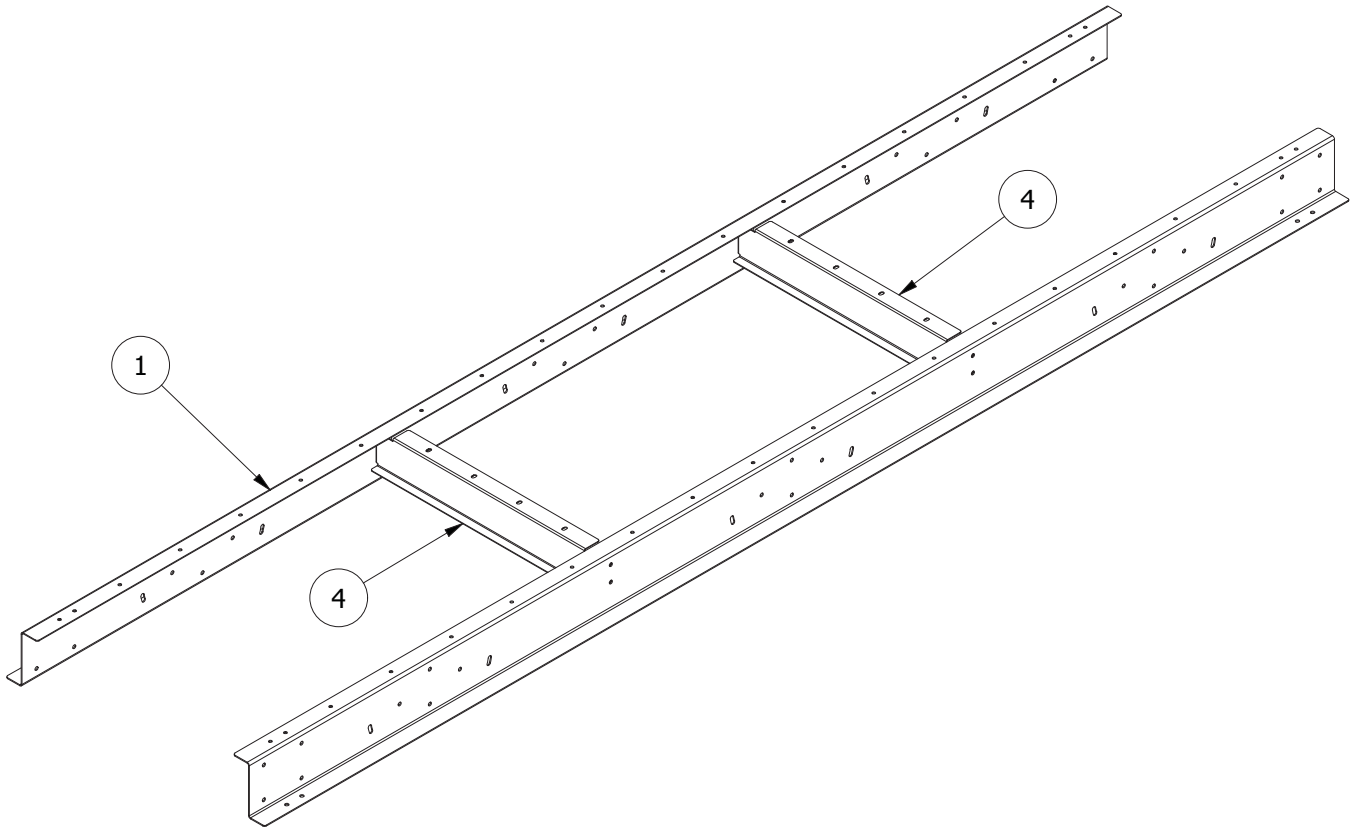


# AMA03024 Parts List



## Adding Cross Support to Side Rails

PARTS LIST			
ITEM	QTY	PART NUMBER	DESCRIPTION
1	4	AM-06144	Z Rail, 6" x 2" x 144"
4	4	AM-20003	Mid Cross Support

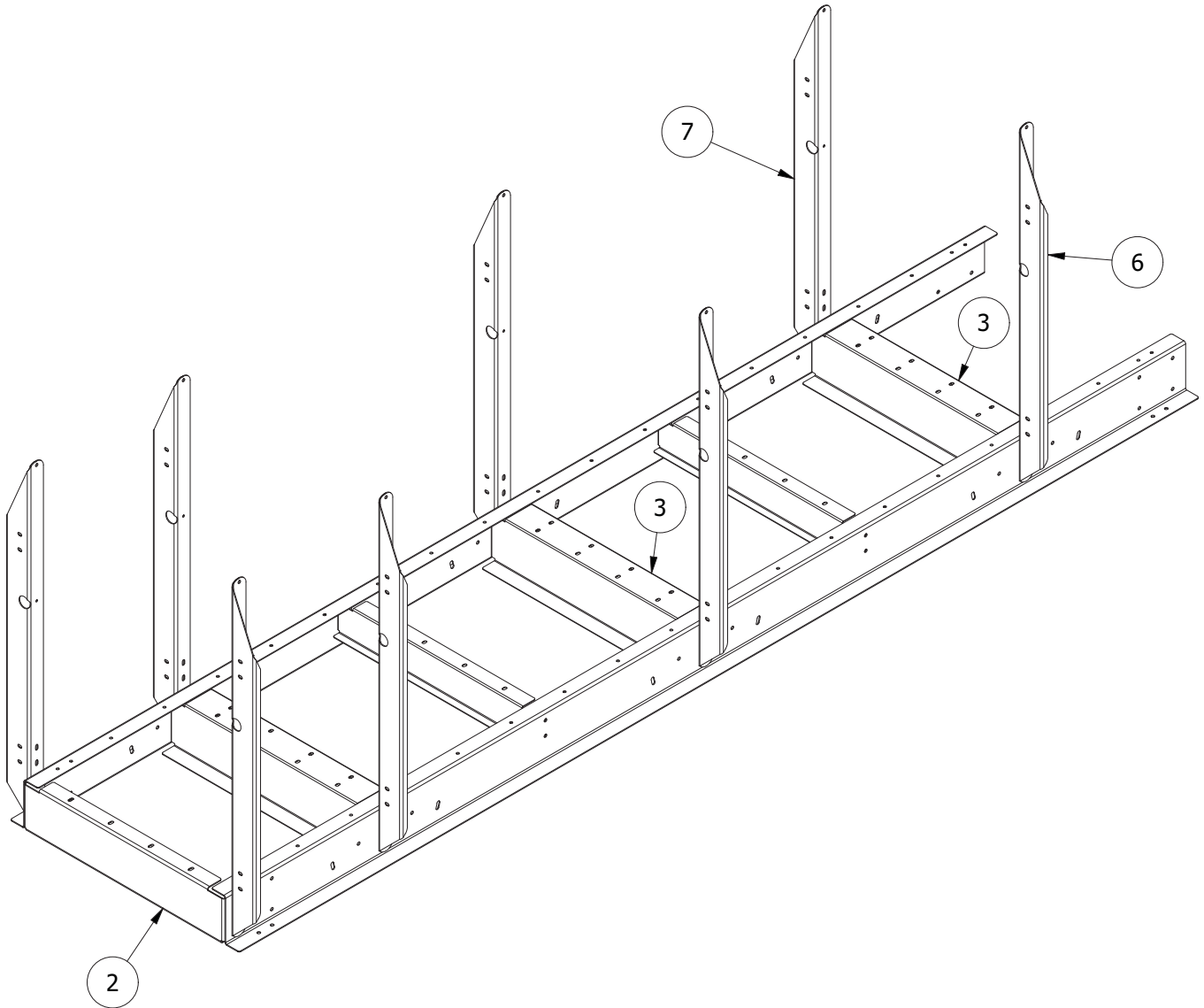


Position Z rails as shown and attach the mid cross supports.

Leave connections loose until structure is assembled.

## Adding Cross Supports and Posts

PARTS LIST			
ITEM	QTY	PART NUMBER	DESCRIPTION
2	2	AM-20001	End Cross Support
3	6	AM-20002	Post Cross Support
6	8	AM-30001	Left Post
7	8	AM-30002	Right Post

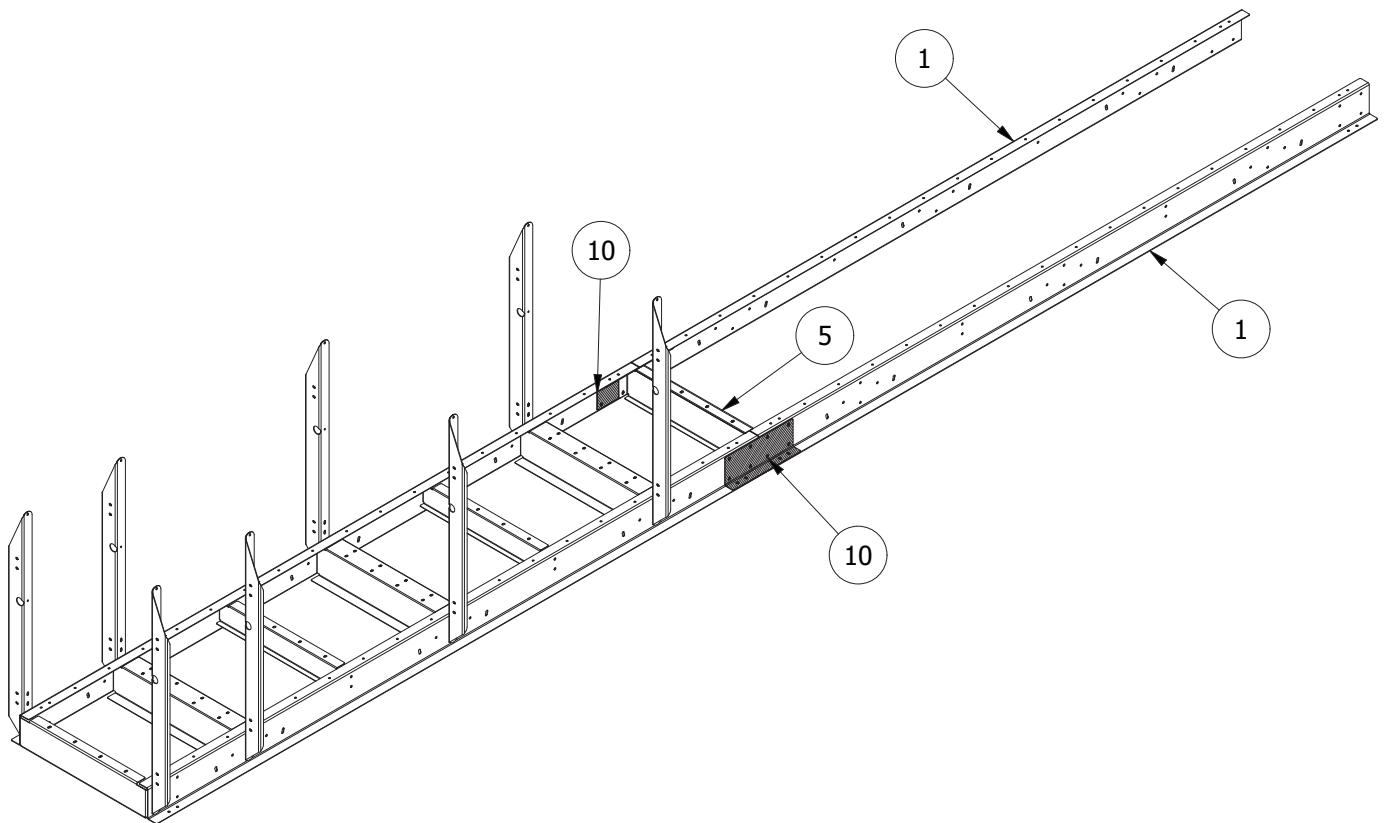


The posts may be added along with the cross supports.

Leave connections loose until structure is assembled.

## Adding Side Rails, Splices, And Support

PARTS LIST			
ITEM	QTY	PART NUMBER	DESCRIPTION
1	4	AM-06144	Z Rail, 6" x 2" x 144"
5	1	AM-20004	Splice Cross Support
10	4	AM-50001	Z Rail Splice Plate



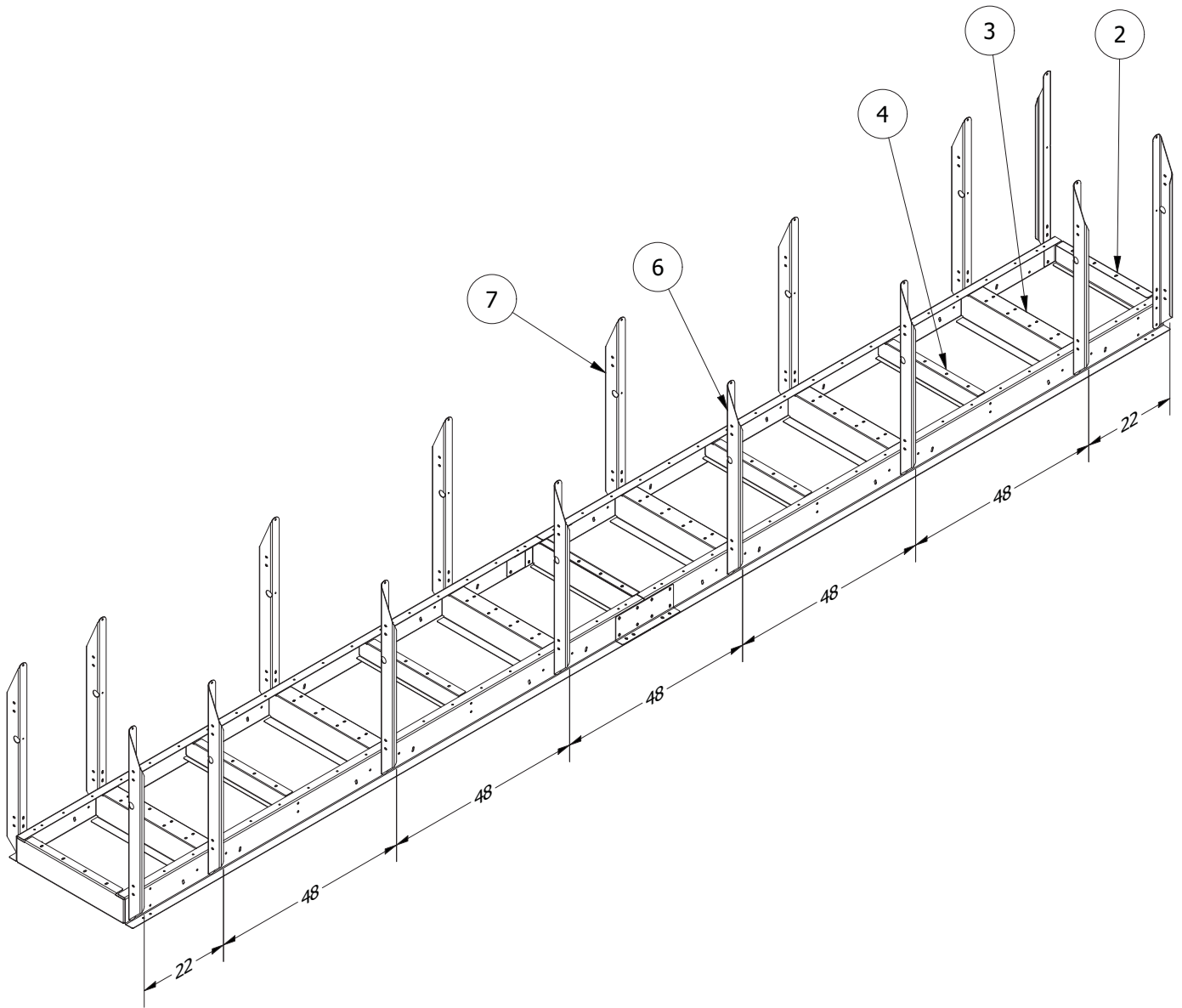
Attach the splice plates on the inside and outside of the Z rails at the splice.

Add 2 splice plates on each side.



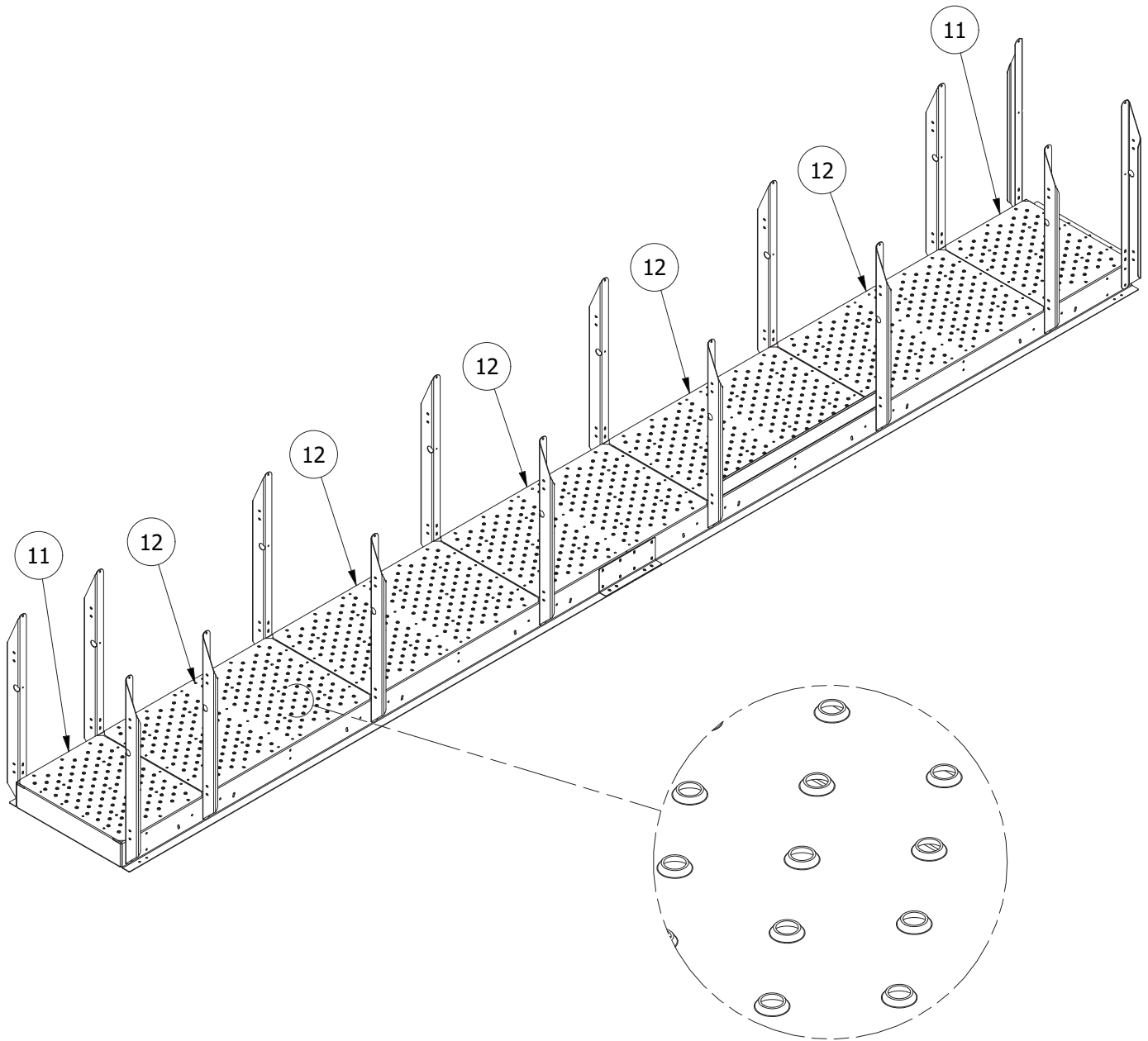
## Adding Cross Supports and Posts

PARTS LIST			
ITEM	QTY	PART NUMBER	DESCRIPTION
2	2	AM-20001	End Cross Support
3	6	AM-20002	Post Cross Support
4	4	AM-20003	Mid Cross Support
6	8	AM-30001	Left Post
7	8	AM-30002	Right Post



## Adding Decks Treads

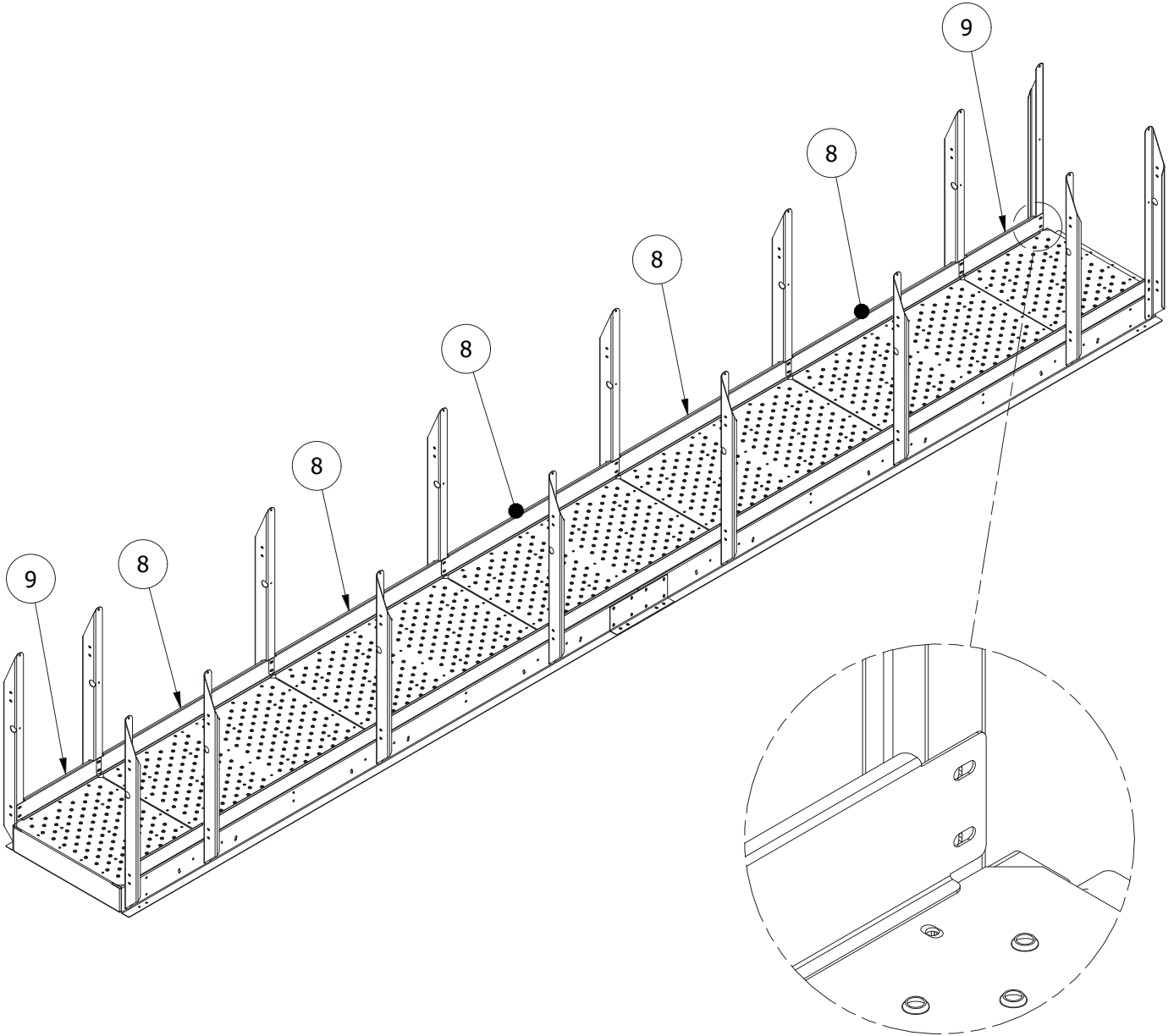
PARTS LIST			
ITEM	QTY	PART NUMBER	DESCRIPTION
11	2	AM-62430	Deck Tread, 24" x 30"
12	5	AM-64830	Deck Tread, 48" x 30"



Install the 24" deck treads on the ends, and the 48" deck treads in the center sections. The raised tread pattern faces up to provide the walking surface.

## Adding Kickboards

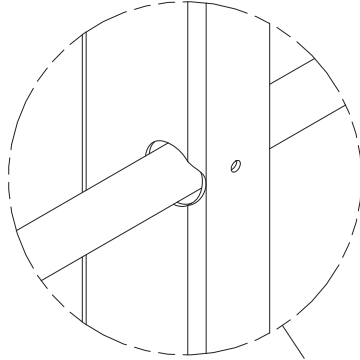
PARTS LIST			
ITEM	QTY	PART NUMBER	DESCRIPTION
8	10	AM-40001	Kickboard, 48"
9	4	AM-40002	Kickboard, 24"



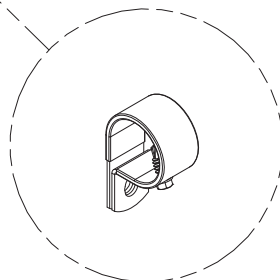
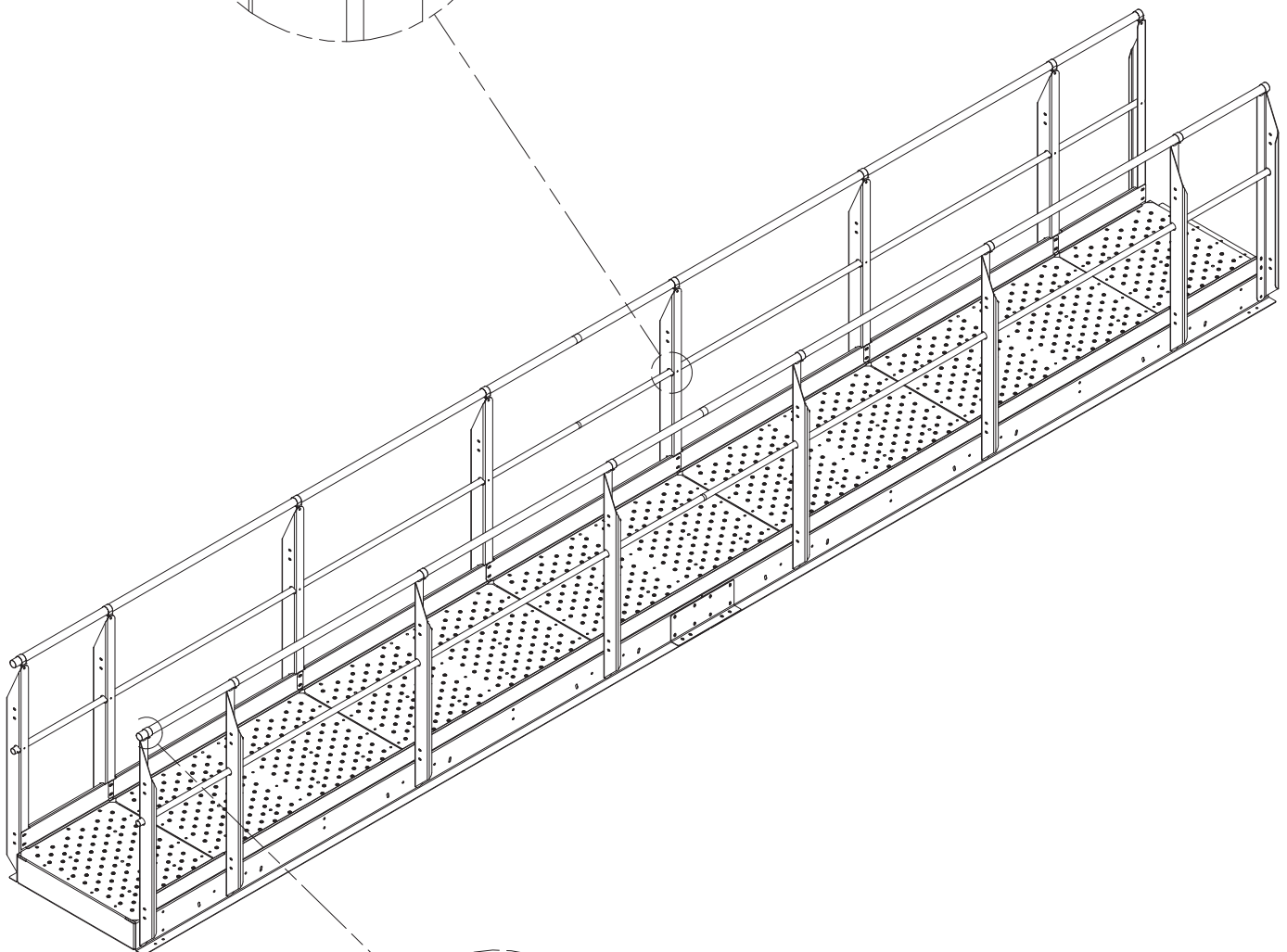
When installing the kickboards, the top flanges face outward and the bottom flanges face inward.

## Adding Handrails and Intermediate Rails

PARTS LIST			
ITEM	QTY	PART NUMBER	DESCRIPTION
13	2	TR1014400	144 in 1.00 Tubing No Swage
14	2	TR1015006	150 in 1.00 Tubing 6 in Swage
15	2	TR1514400	144 in 1.50 Tubing No Swage
16	2	TR1515006	150 in 1.50 Tubing 6 in Swage



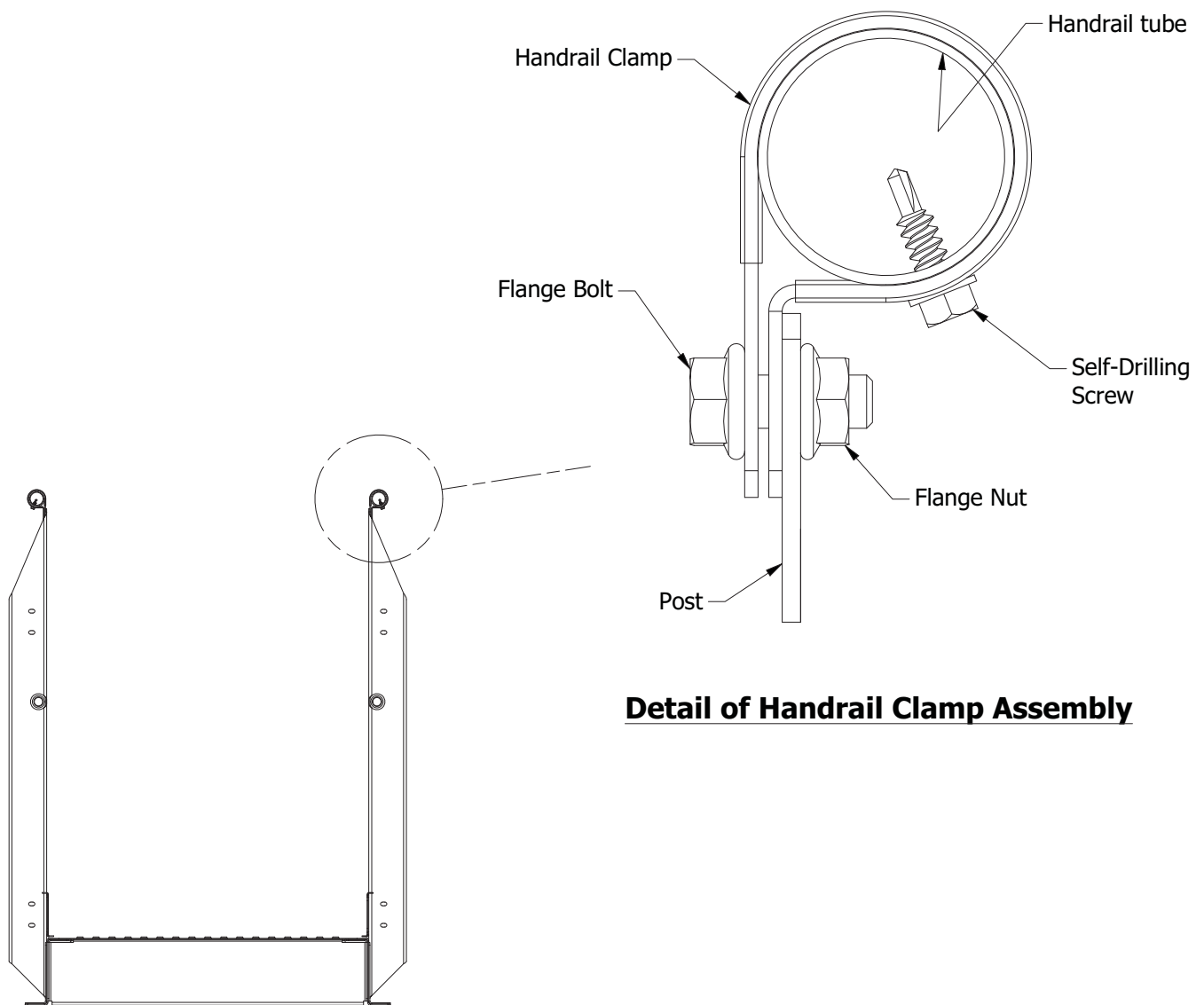
Attach int. rails using a self-tapping screw through the post into the railing.



Attach handrails to posts using handrail clamps, see detail page.

## Handrail Clamp Installation Instructions

- Position the handrail clamp so it is oriented facing outward, and so it does not interfere into the width of the stairs or walkway.
- Insert the bolt through both holes on the handrail clamp first, then push the bolt through the hole in the post from the inside. Install the nut on the outside so that the bolt head is on the inside of the stairs.
- Fasten the clamp tightly together so it is closed around the handrail, making sure the post is not between the two tabs.
- Install a self-drilling screw into the handrail clamp and through the handrail. It should be positioned on the outside near the bottom, approximately as shown, to minimize contact with the hands.



**Detail of Handrail Clamp Assembly**