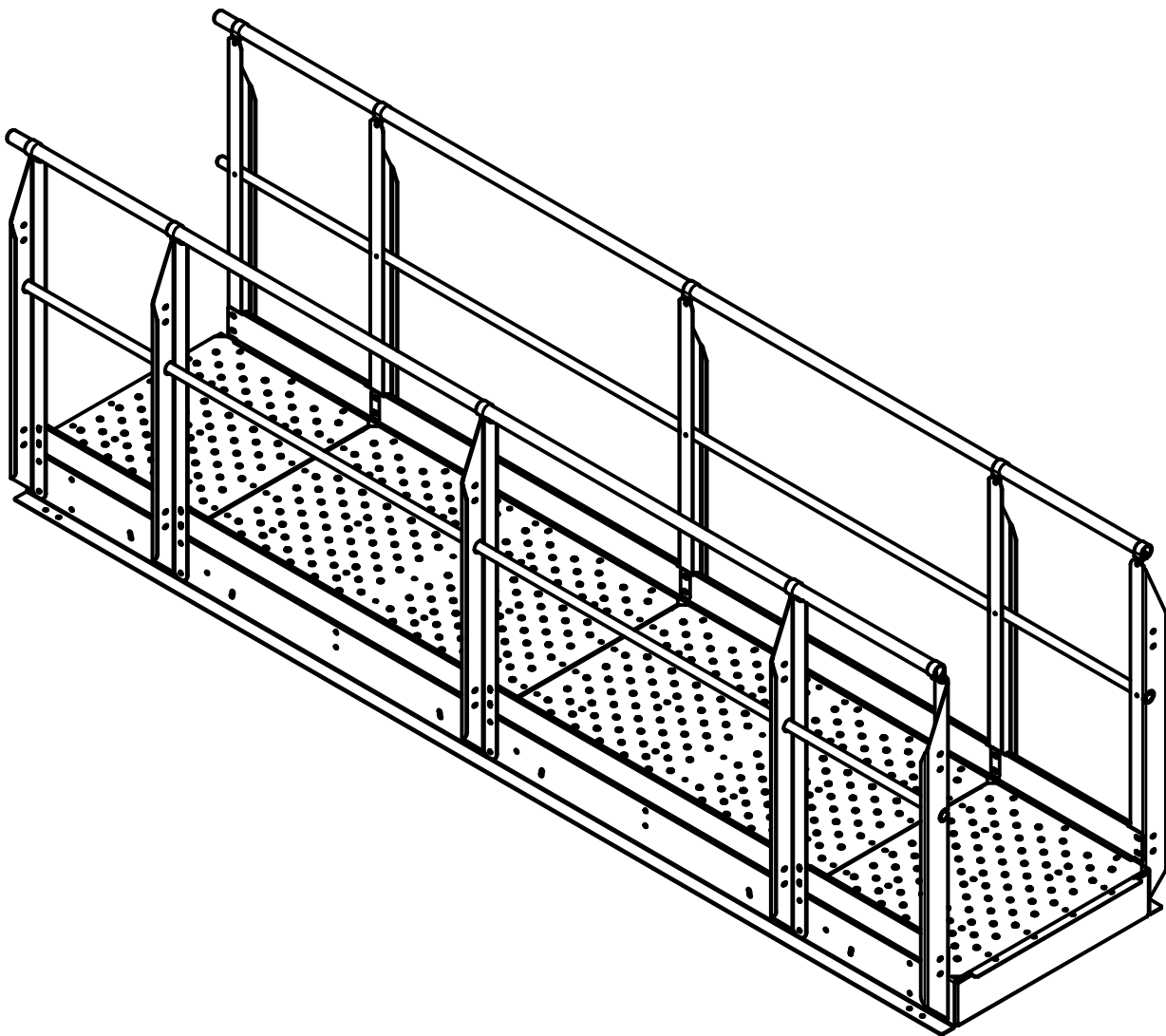
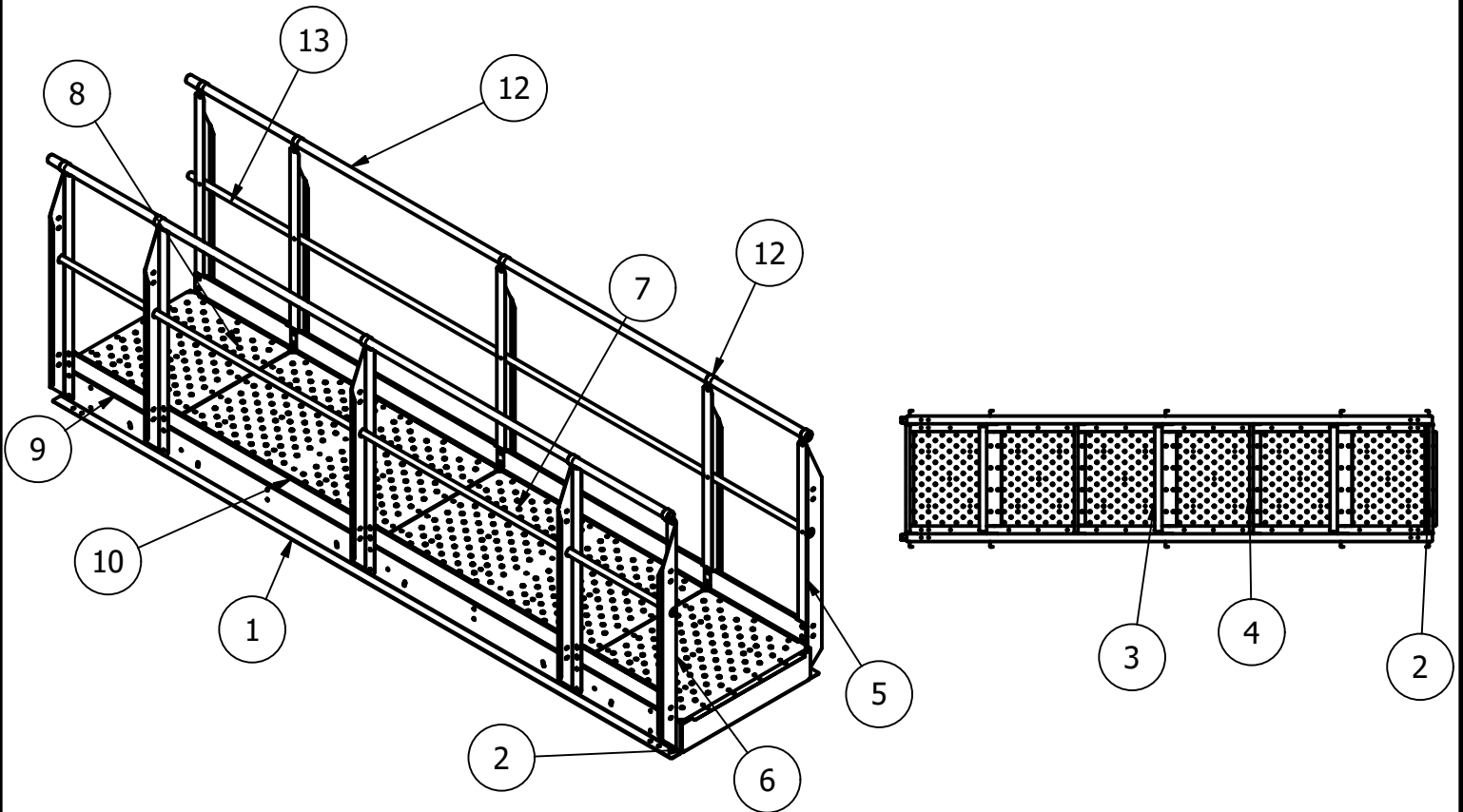


AMA03012

# Greene Galvanized Stairs

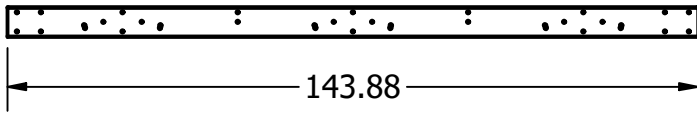


PARTS LIST			
ITEM	QTY	PART NUMBER	DESCRIPTION
1	2	AM-06144	Z Rail, 6" x 2" x 144"
2	2	AM-20001	End Cross Support
3	3	AM-20002	Post Cross Support
4	2	AM-20003	Mid Cross Support
5	5	AM-30001	Left Post
6	5	AM-30002	Right Post
7	4	AM-64830	Deck Tread, 48" x 30"
8	2	AM-62430	Deck Tread, 24" x 30"
9	4	AM-40002	Kickboard, 24"
10	8	AM-40001	Kickboard, 48"
11	10	HRC1500	Handrail Clamp for 1.5 in
12	2	TR1514400	144 in 1.5 Railing no swage
13	2	TR1014400	144 in 1.0 Railing no swage
18	2	TR1515006	150 in x1.5 in Railing 6 in Swage
19	2	TR1015006	150 in 1 in dia tubing 6in swage

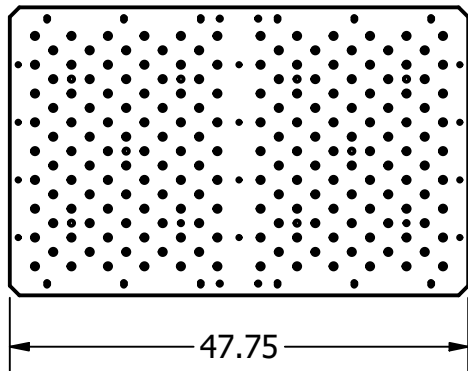


# Parts break down

AM-06144

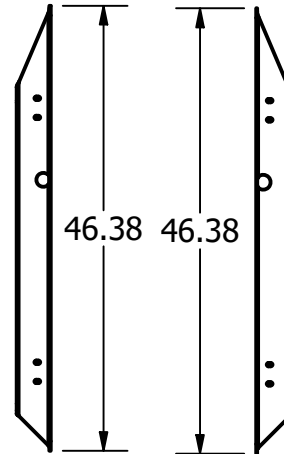


AM-64830



AM-30001

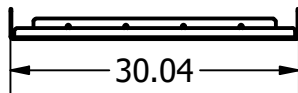
AM-30002



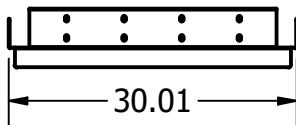
HRC1500



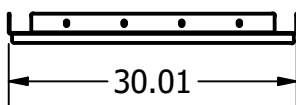
AM-20001



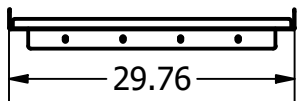
AM-20002



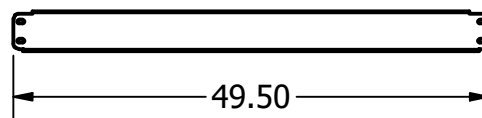
AM-20003



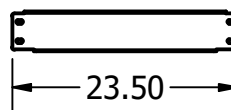
AM-20004



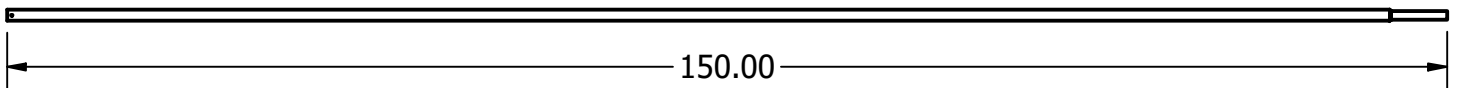
AM-40001



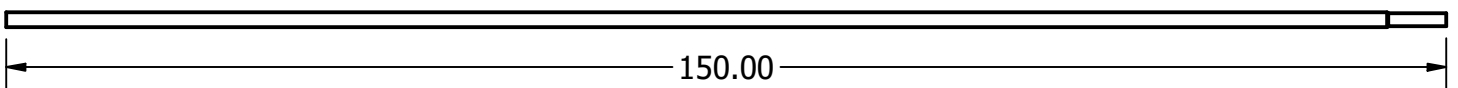
AM-40002



TR1014400



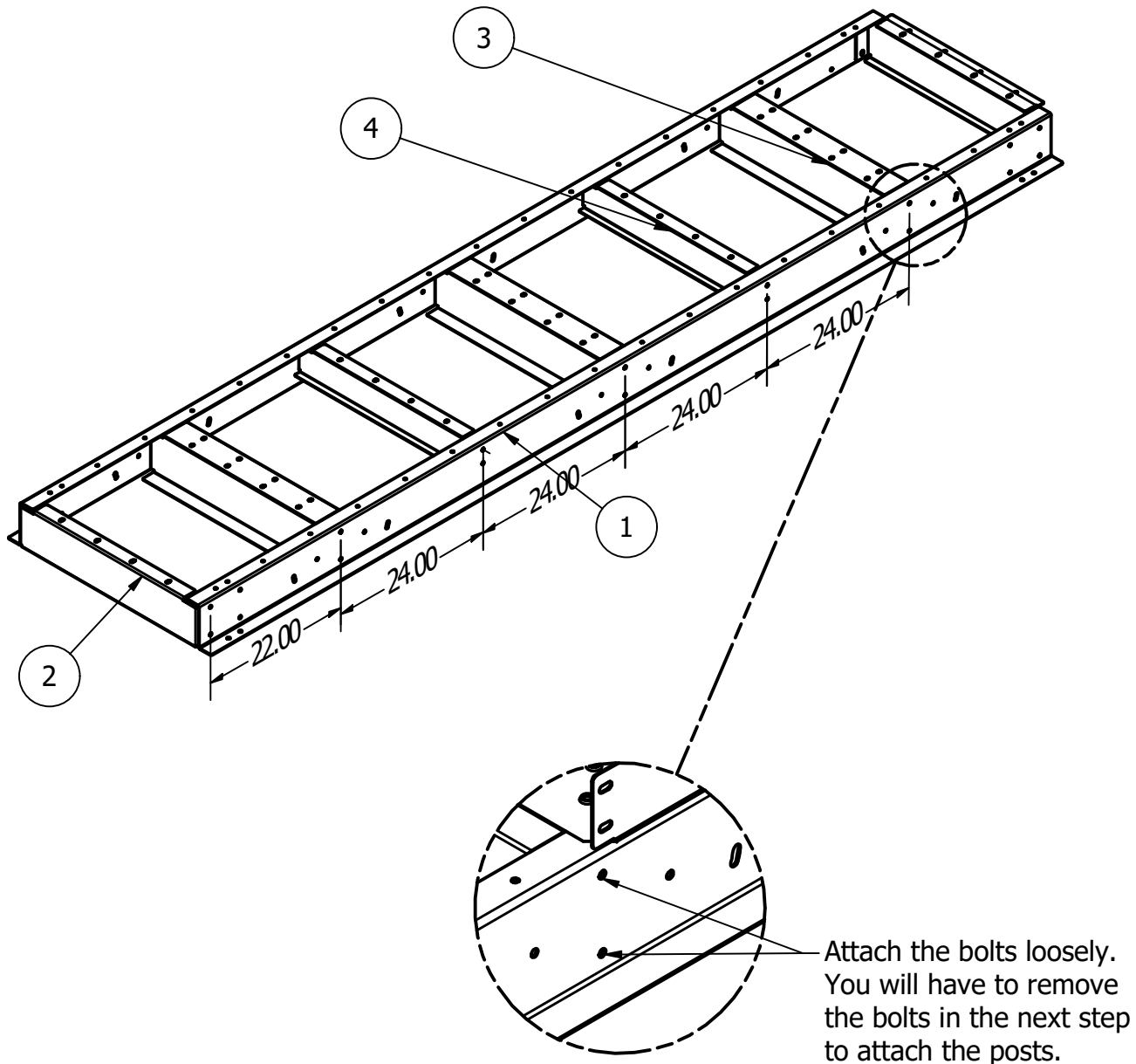
TR1514400



All units in inches

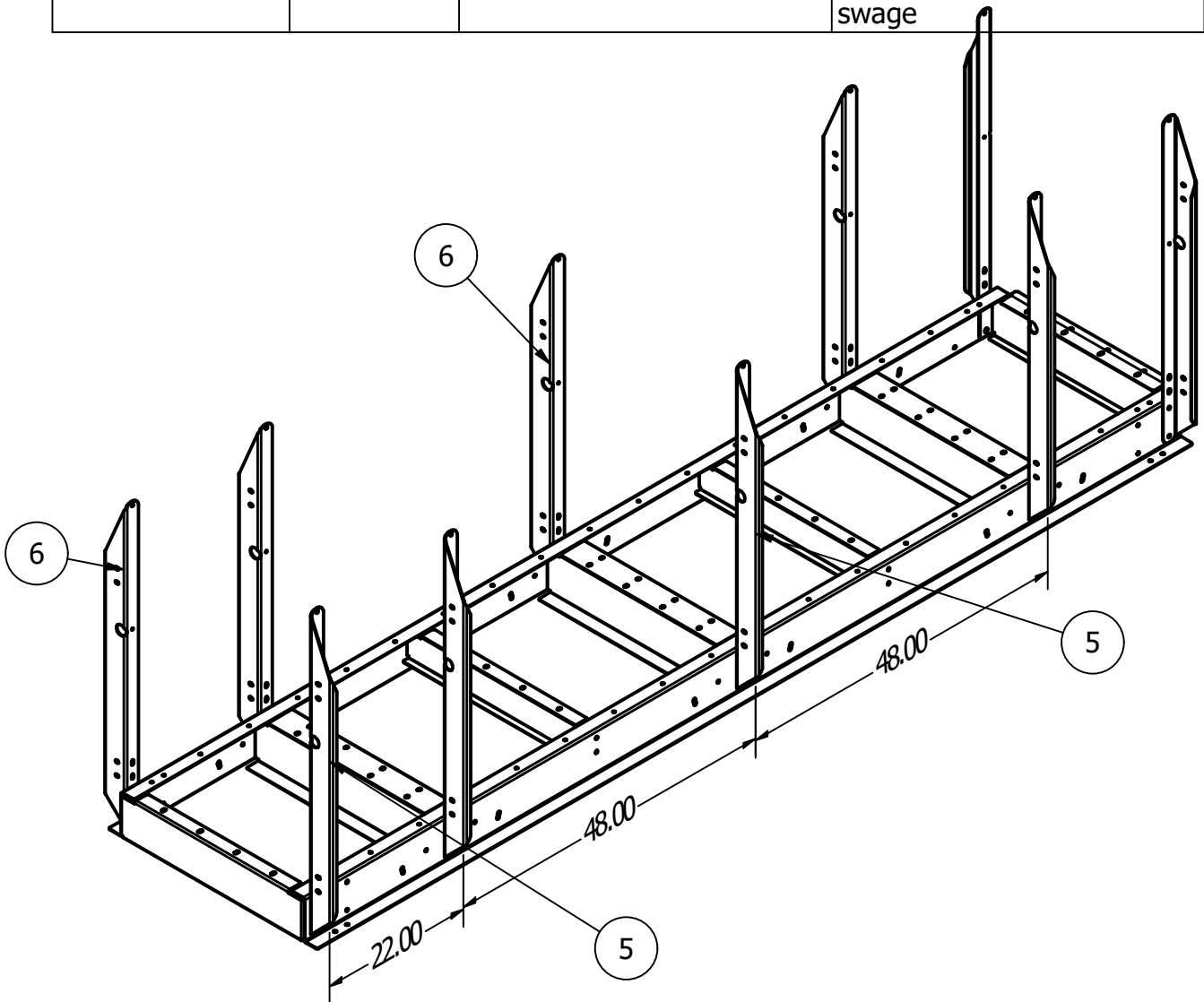
# STEP 1 : Adding braces to the side rails

PARTS LIST			
ITEM	QTY	PART NUMBER	DESCRIPTION
1	2	AM-06144	Z Rail, 6" x 2" x 144"
2	2	AM-20001	End Cross Support
3	3	AM-20002	Post Cross Support
4	2	AM-20003	Mid Cross Support
18	2	TR1515006	150 in x1.5 in Railing 6 in Swage
19	2	TR1015006	150 in 1 in dia tubing 6in swage



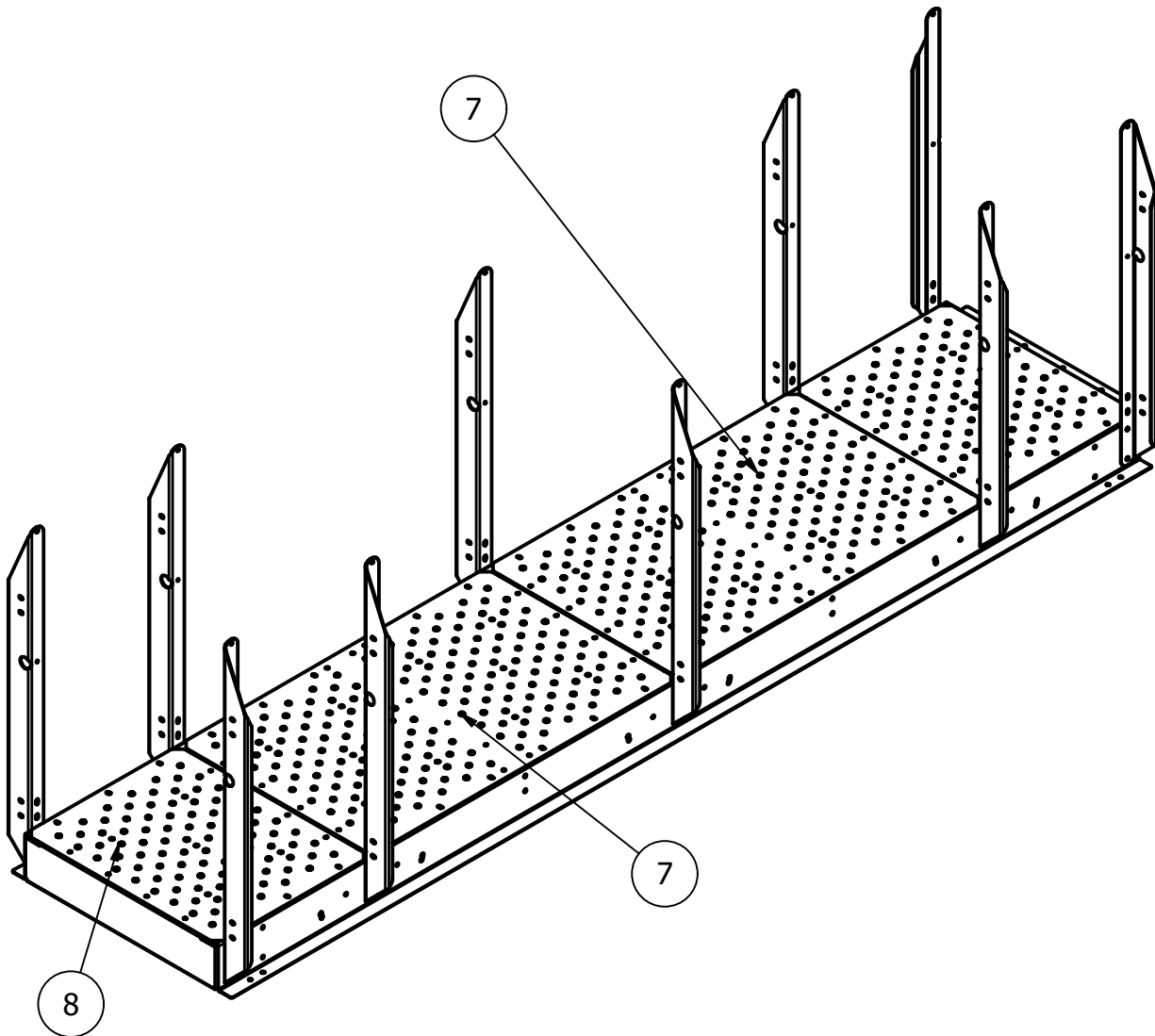
## STEP 2: Adding the left and right Posts

PARTS LIST			
ITEM	QTY	PART NUMBER	DESCRIPTION
5	5	AM-30001	Left Post
6	5	AM-30002	Right Post
18	2	TR1515006	150 in x1.5 in Railing 6 in Swage
19	2	TR1015006	150 in 1 in dia tubing 6in swage



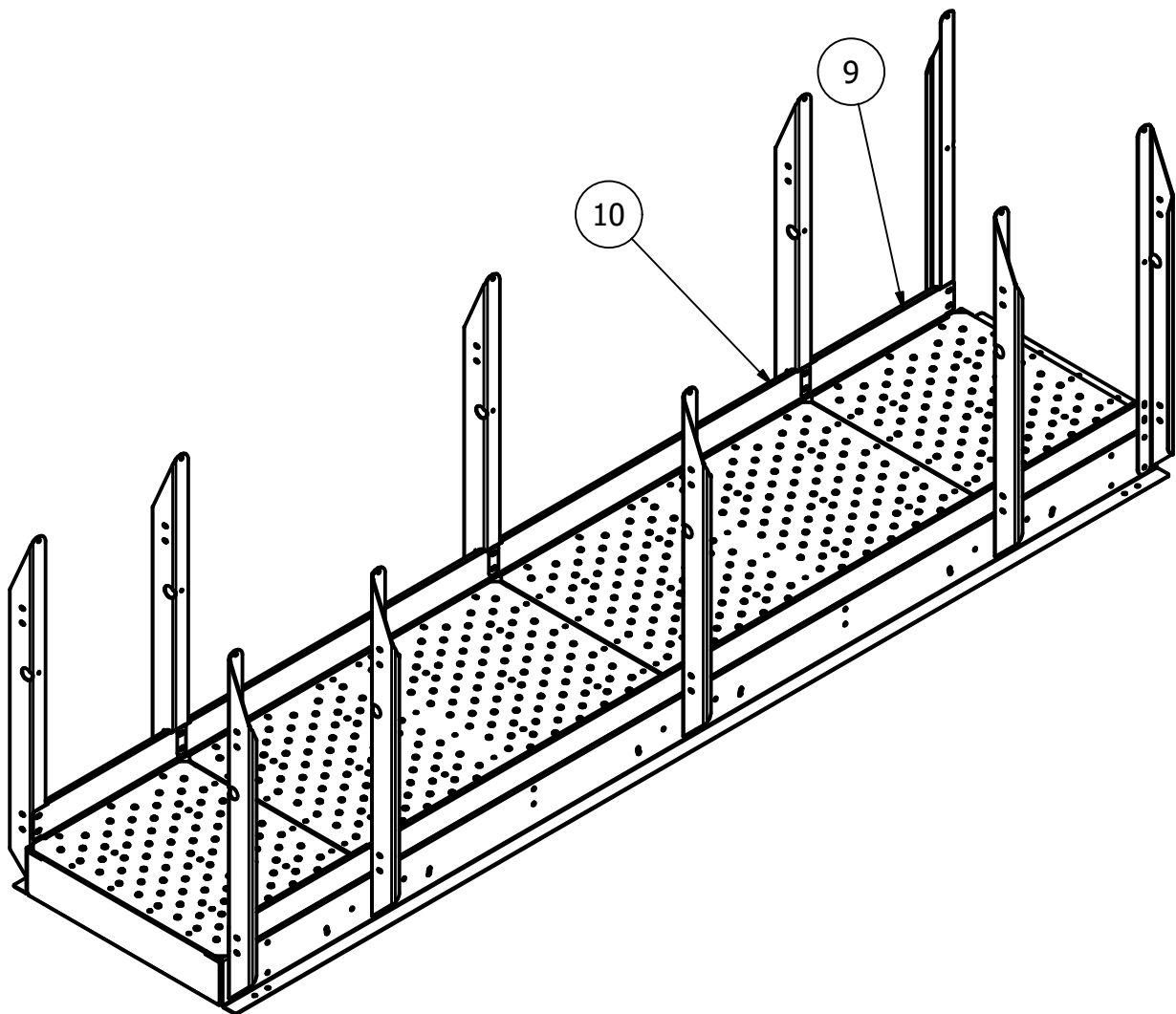
# STEP 3: Adding the Decks

PARTS LIST			
ITEM	QTY	PART NUMBER	DESCRIPTION
7	4	AM-64830	Deck Tread, 48" x 30"
8	2	AM-62430	Deck Tread, 24" x 30"
18	2	TR1515006	150 in x1.5 in Railing 6 in Swage
19	2	TR1015006	150 in 1 in dia tubing 6in swage



## STEP 4: Adding the kickboards

PARTS LIST			
ITEM	QTY	PART NUMBER	DESCRIPTION
9	4	AM-40002	Kickboard, 24"
10	8	AM-40001	Kickboard, 48"
18	2	TR1515006	150 in x1.5 in Railing 6 in Swage
19	2	TR1015006	150 in 1 in dia tubing 6in swage



# STEP 5: Adding the Handrail and guardrail

PARTS LIST			
ITEM	QTY	PART NUMBER	DESCRIPTION
11	10	HRC1500	Handrail Clamp for 1.5 in
12	2	TR1514400	144 in 1.5 Railing no swage
13	2	TR1014400	144 in 1.0 Railing no swage
18	2	TR1515006	150 in x1.5 in Railing 6 in Swage
19	2	TR1015006	150 in 1 in dia tubing 6in swage

