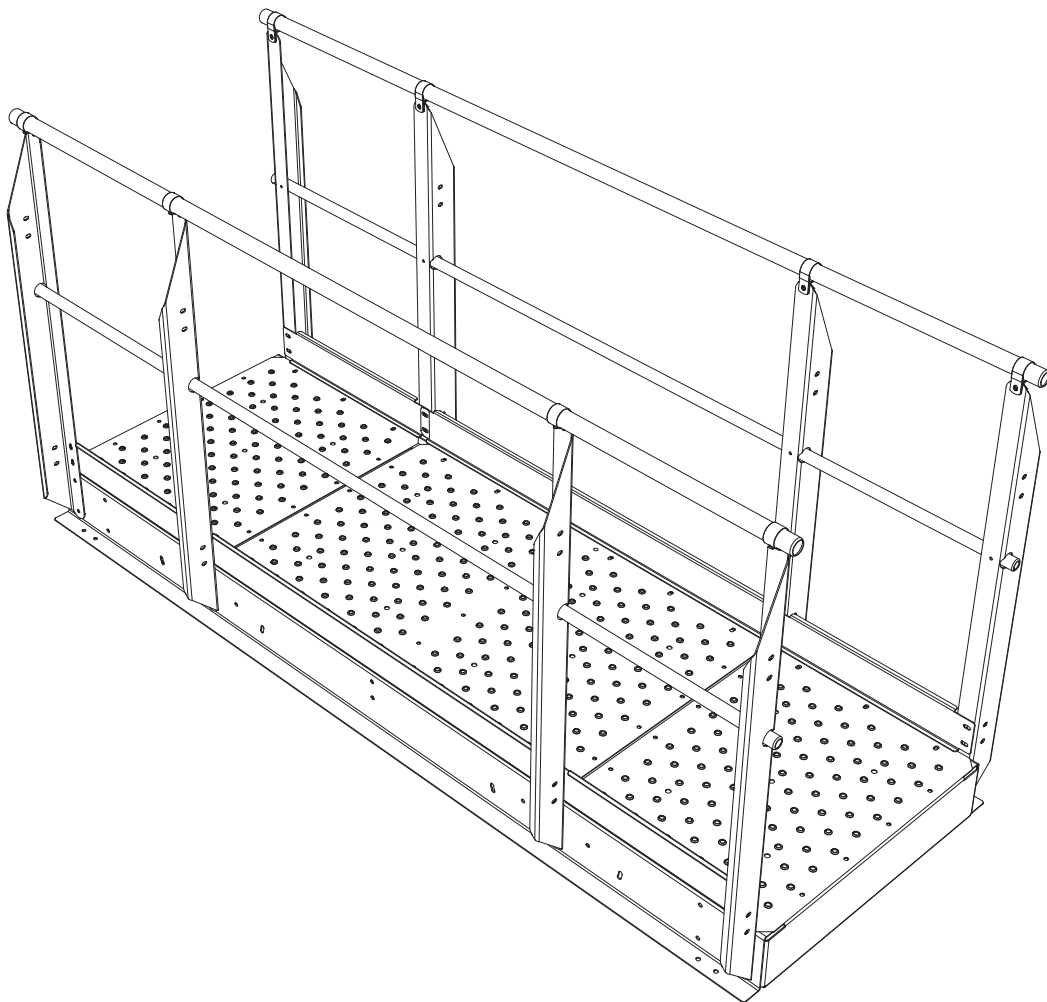


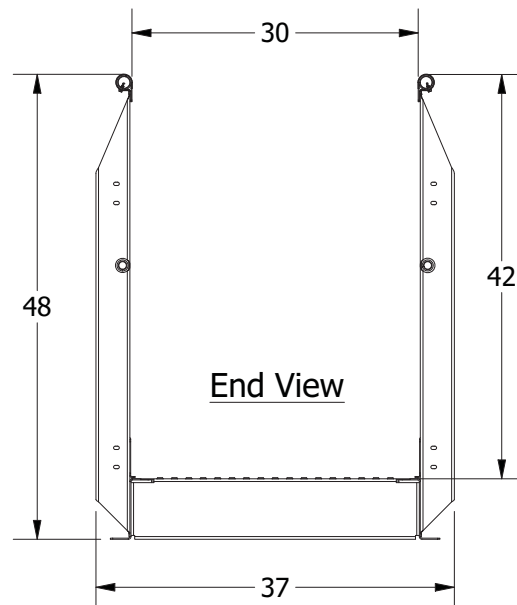
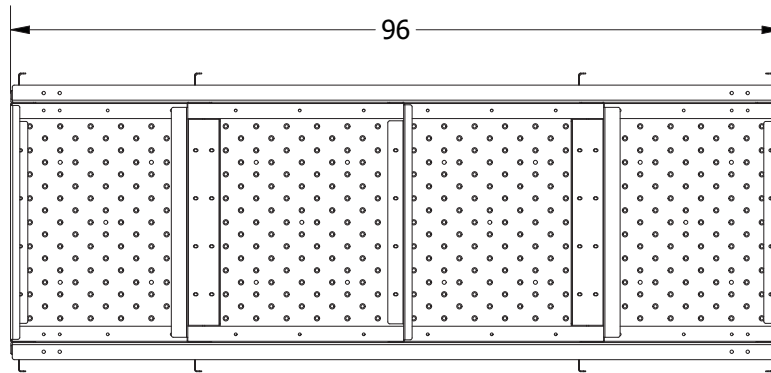
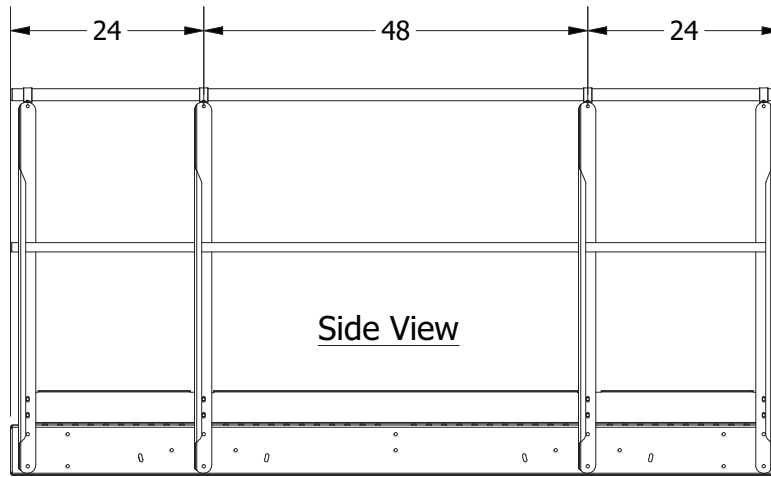
AMA03008

8' A-Series Manwalk

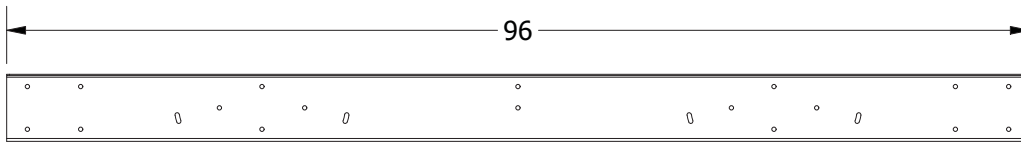
Assembly Instructions



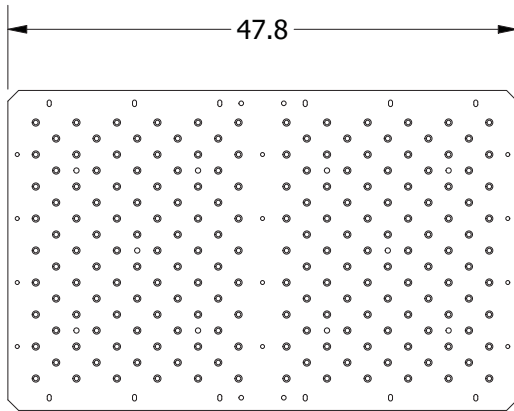
AMA03008
Assembly and Dimensions



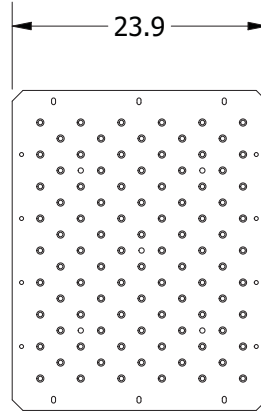
AMA03008 Parts ID



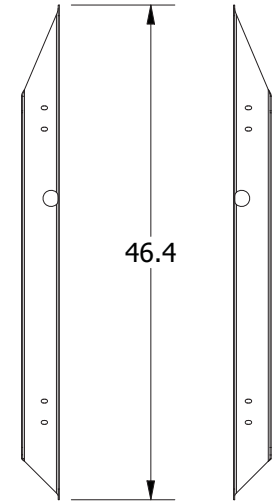
AM-06096



AM-64830

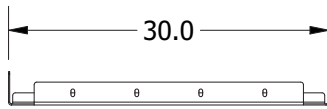


AM-62430

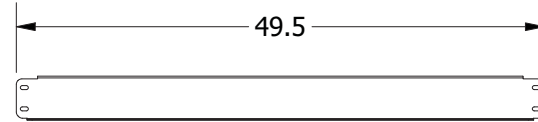


AM-30001

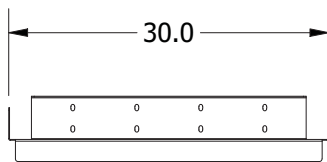
AM-30002



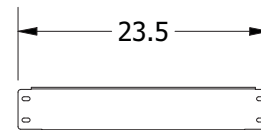
AM-20001



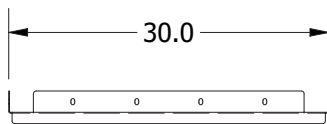
AM-40001



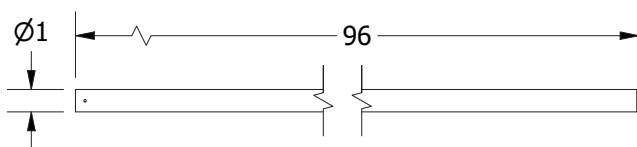
AM-20002



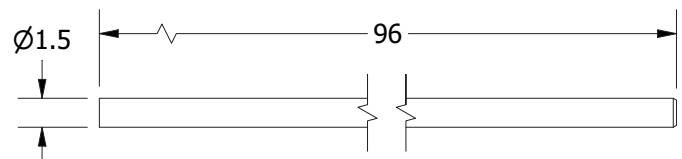
AM-40002



AM-20003



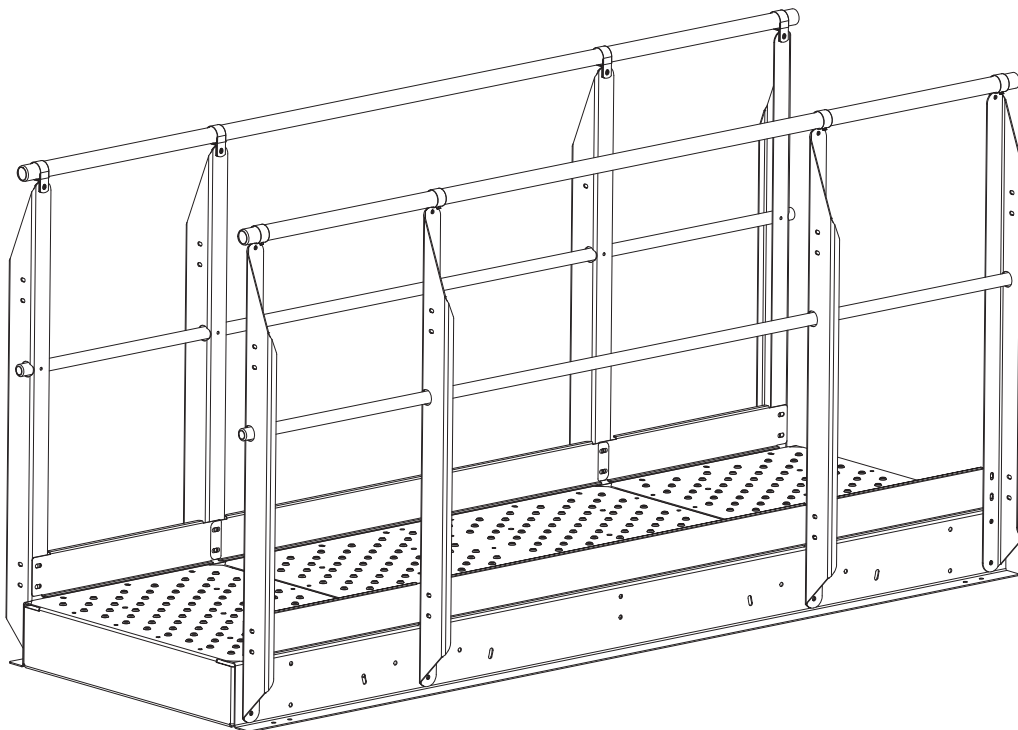
TR1009600



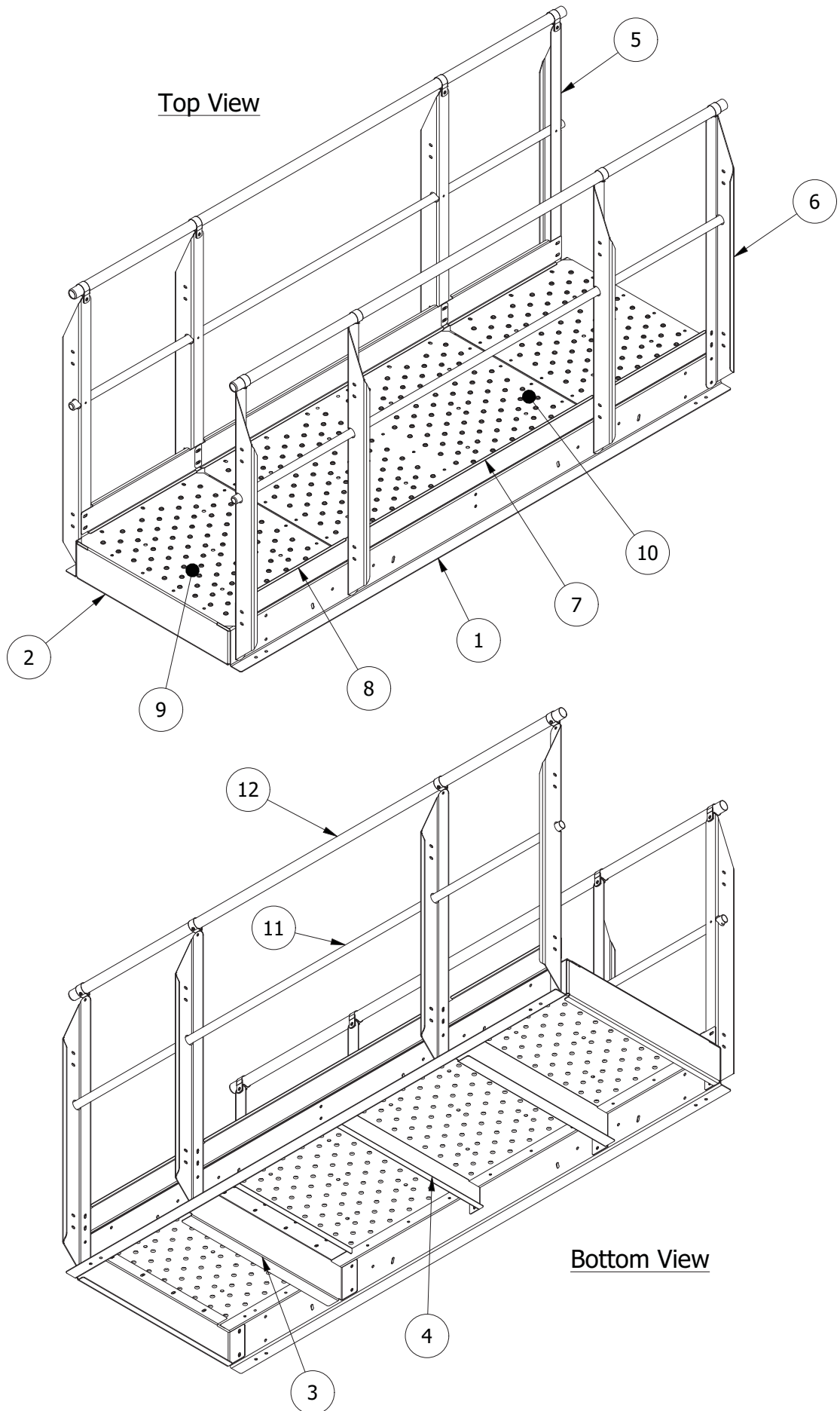
TR1509600

AMA03008 Parts List

PARTS LIST			
ITEM	QTY	PART NUMBER	DESCRIPTION
1	2	AM-06096	Z Rail, 6" x 2" x 96"
2	2	AM-20001	End Cross Support
3	2	AM-20002	Post Cross Support
4	1	AM-20003	Mid Cross Support
5	4	AM-30001	Left Post
6	4	AM-30002	Right Post
7	2	AM-40001	Kickboard, 48"
8	4	AM-40002	Kickboard, 24"
9	2	AM-62430	Deck Tread, 24" x 30"
10	1	AM-64830	Deck Tread, 48" x 30"
11	2	TR1009600	96 in 1.00 Tubing No Swage
12	2	TR1509600	96 in 1.50 Tubing No Swage

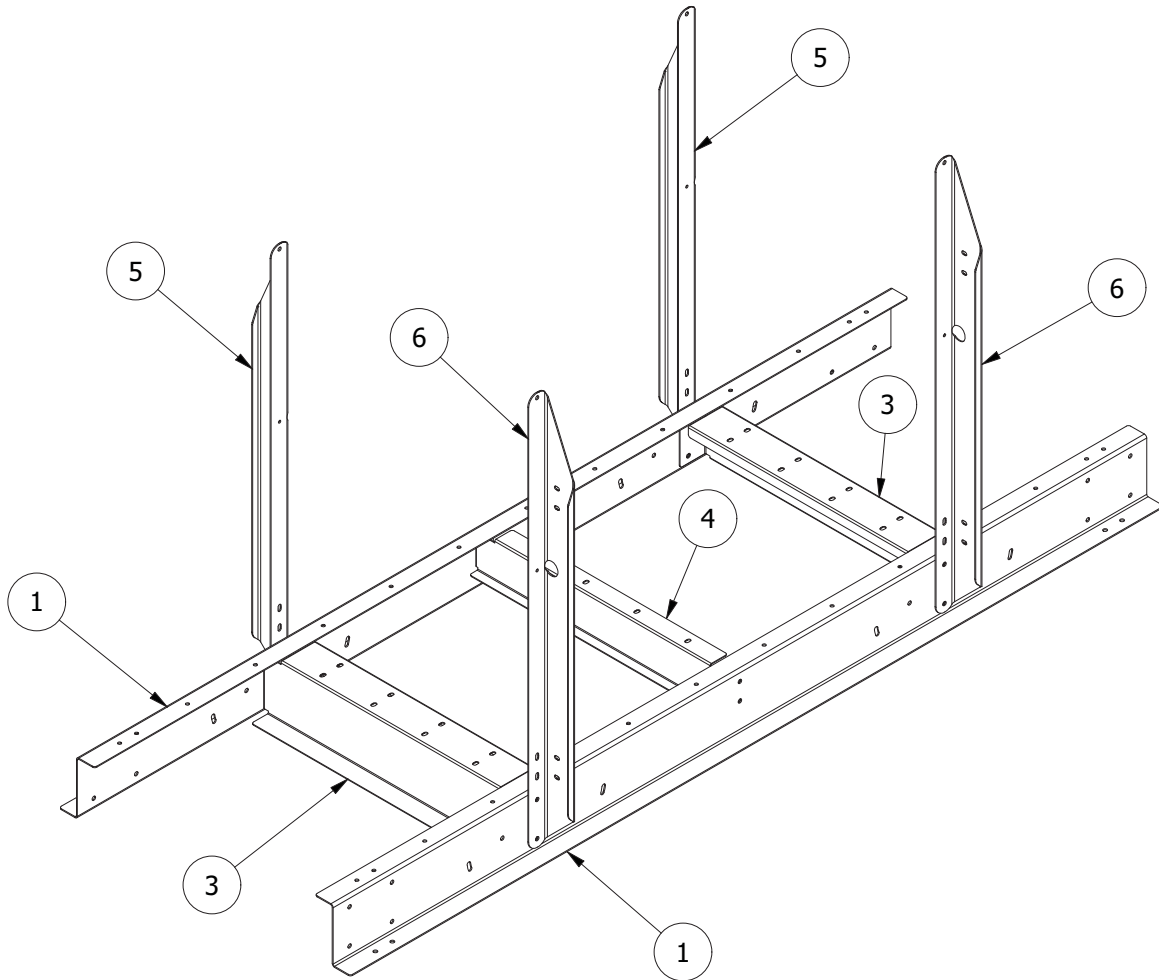


AMA03008 Parts List



Adding Mid and Post Cross Supports to Side Rails

PARTS LIST			
ITEM	QTY	PART NUMBER	DESCRIPTION
1	2	AM-06096	Z Rail, 6" x 2" x 96"
3	2	AM-20002	Post Cross Support
4	1	AM-20003	Mid Cross Support
5	4	AM-30001	Left Post
6	4	AM-30002	Right Post

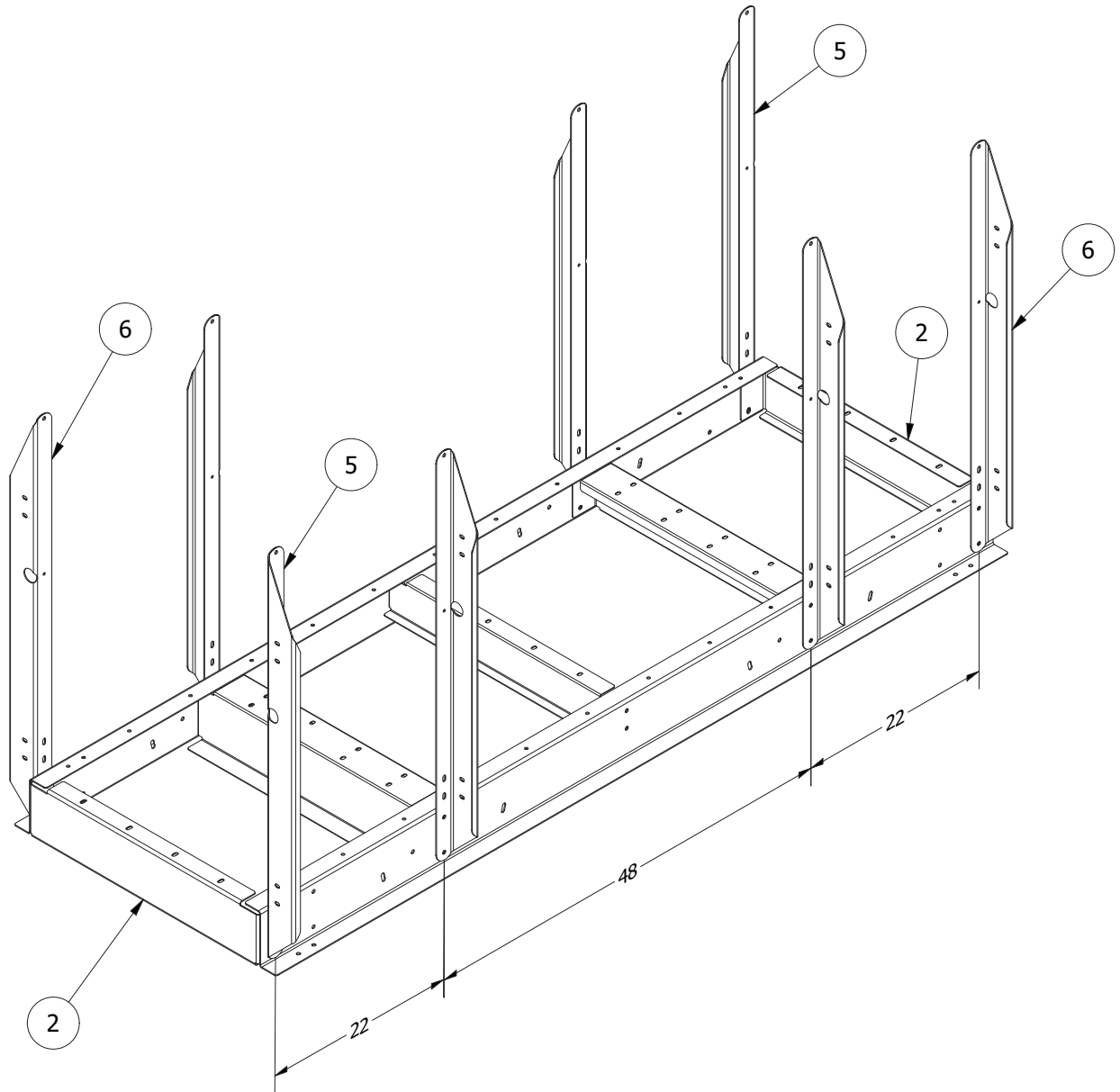


Position Z rails as shown and attach the mid cross supports and post cross supports. The posts may be added at the post cross supports.

Leave connections loose until structure is assembled.

Adding End Cross Supports and Posts

PARTS LIST			
ITEM	QTY	PART NUMBER	DESCRIPTION
2	2	AM-20001	End Cross Support
5	4	AM-30001	Left Post
6	4	AM-30002	Right Post

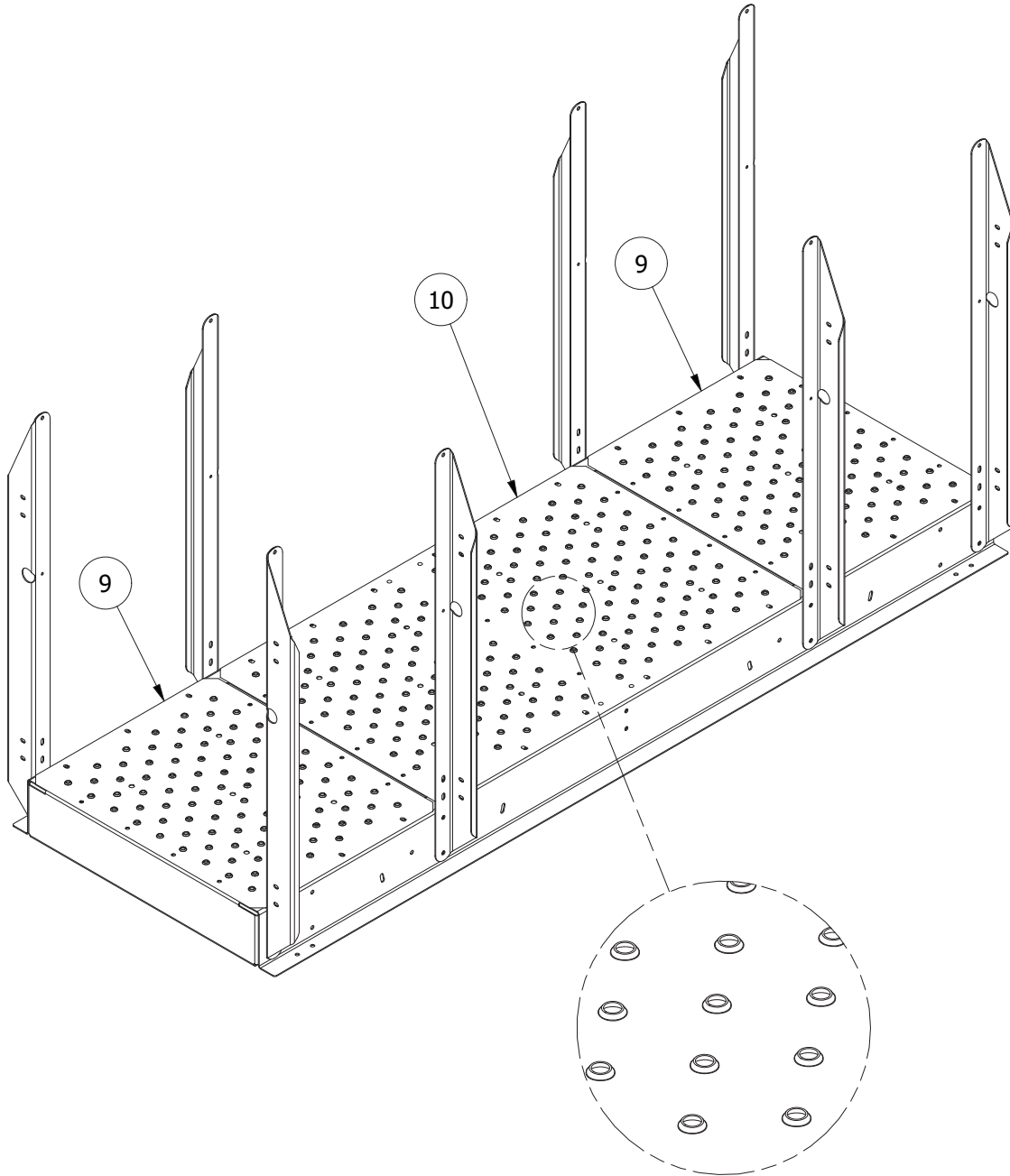


Add the end cross supports along with the end posts.

Leave connections loose until structure is assembled.

Adding Decks Treads

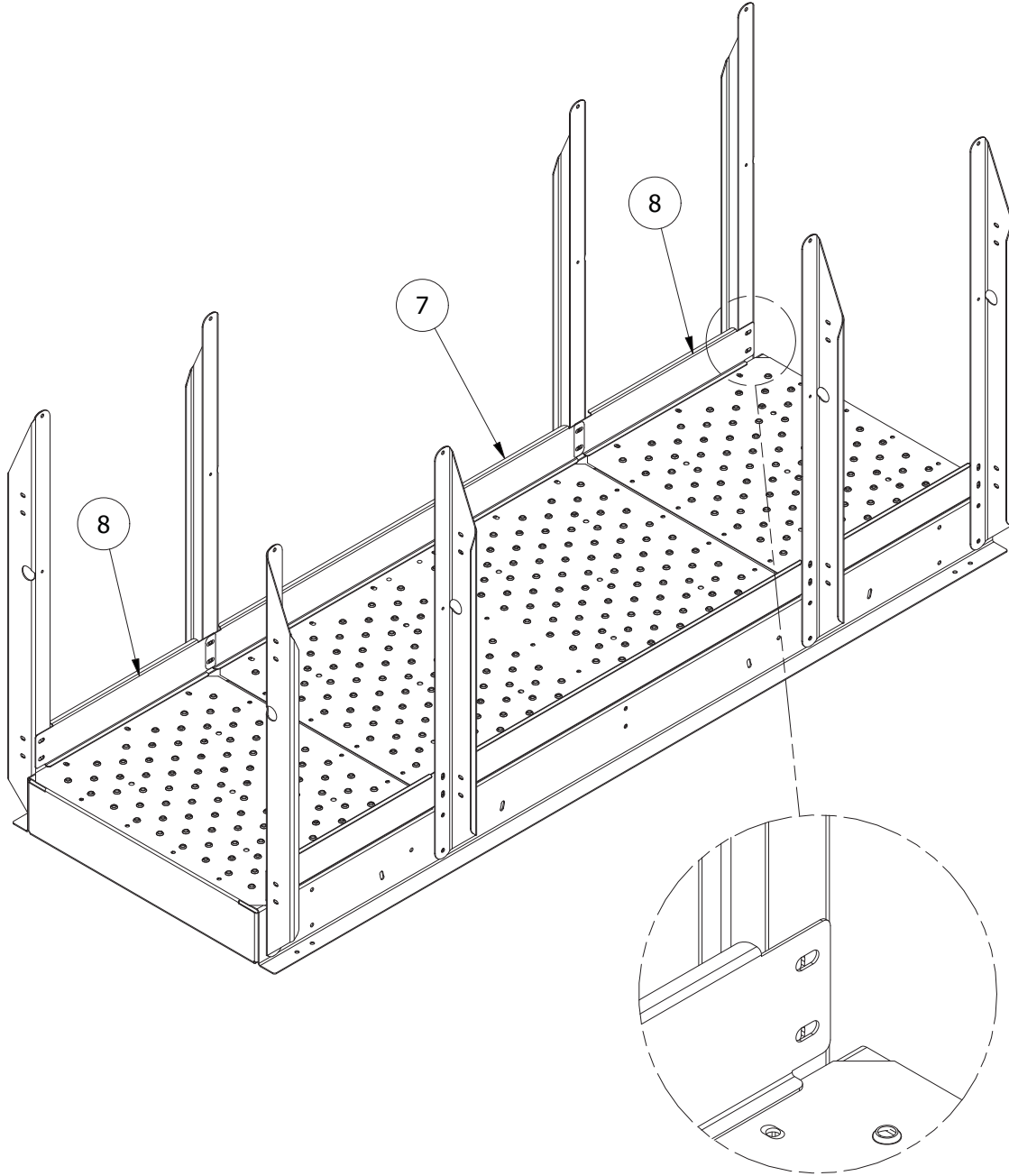
PARTS LIST			
ITEM	QTY	PART NUMBER	DESCRIPTION
9	2	AM-62430	Deck Tread, 24" x 30"
10	1	AM-64830	Deck Tread, 48" x 30"



Install the 24" deck treads on the ends, and the 48" deck tread in the center section. The raised tread pattern faces up to provide the walking surface.

Adding Kickboards

PARTS LIST			
ITEM	QTY	PART NUMBER	DESCRIPTION
7	2	AM-40001	Kickboard, 48"
8	4	AM-40002	Kickboard, 24"

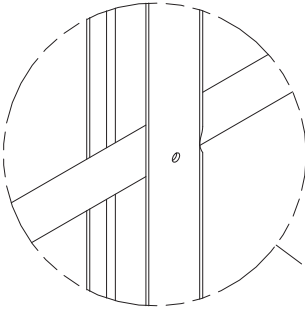


When installing the kickboards, the top flanges face outward and the bottom flanges face inward.

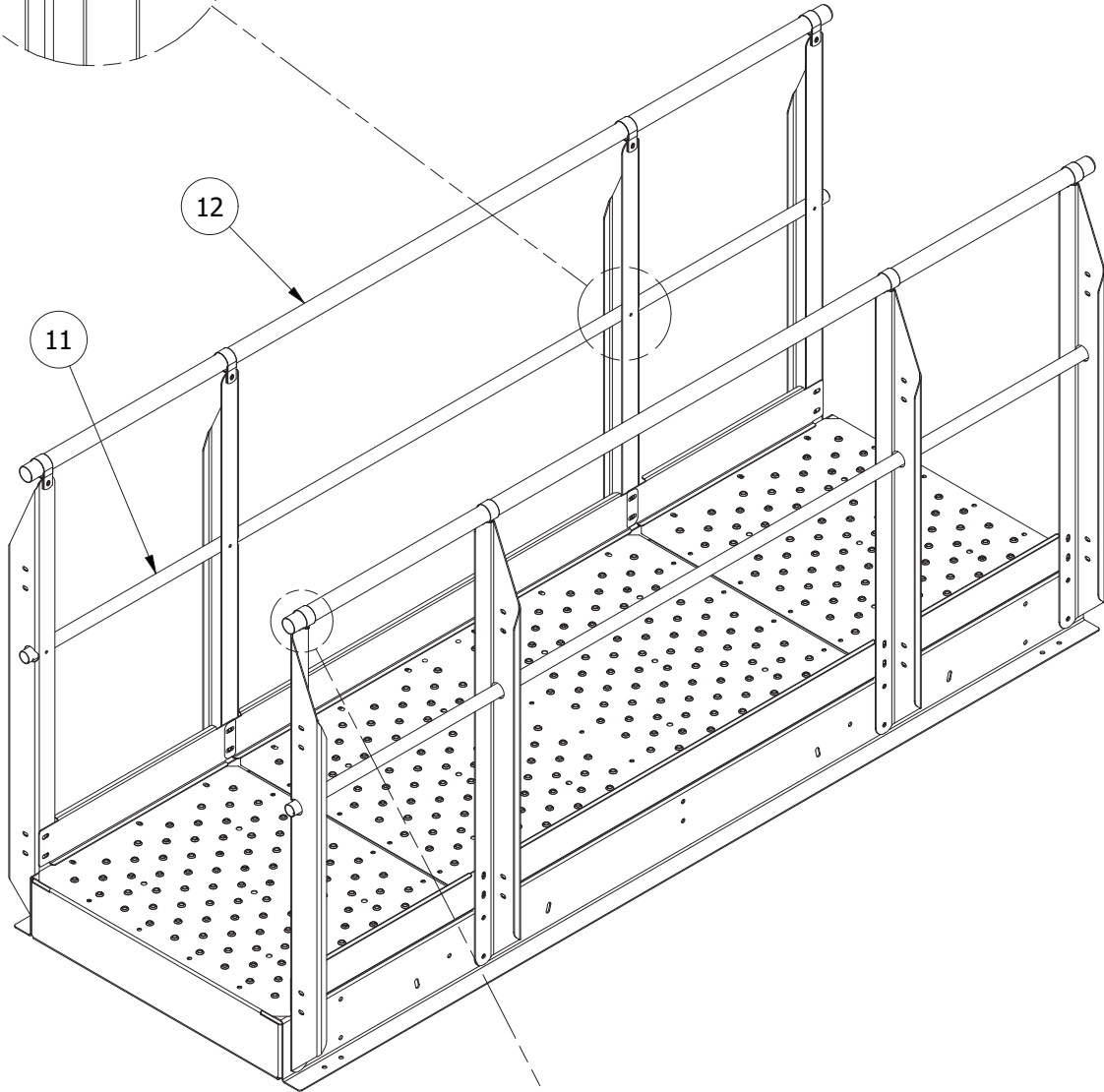
Adding Handrails and Intermediate Rails

PARTS LIST

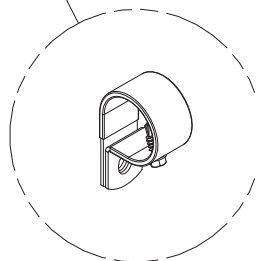
ITEM	QTY	PART NUMBER	DESCRIPTION
11	2	TR1009600	96 in 1.00 Tubing No Swage
12	2	TR1509600	96 in 1.50 Tubing No Swage



Attach int. rails using a self-tapping screw through the post into the railing.

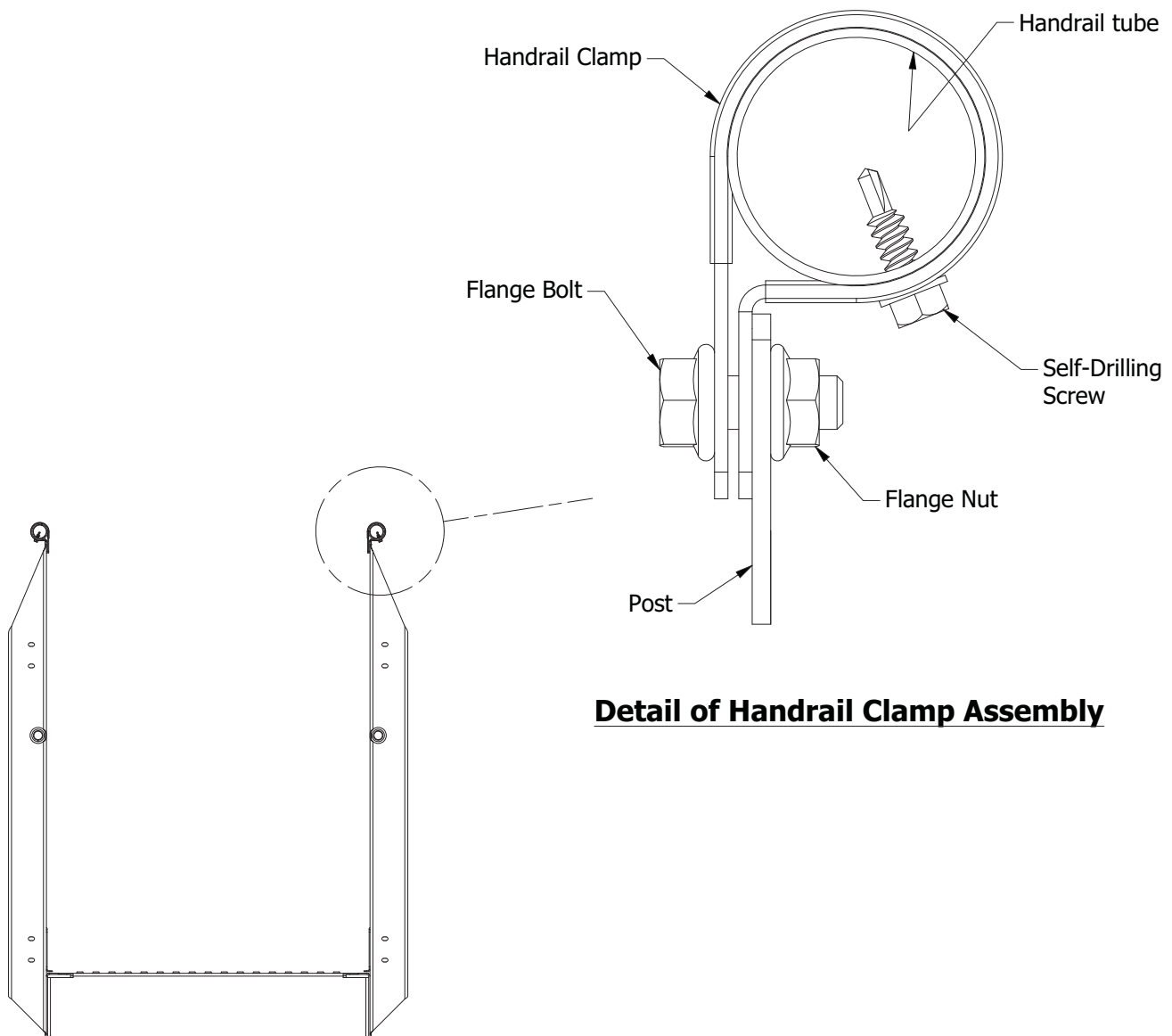


Attach handrails to posts using handrail clamps, see detail page.



Handrail Clamp Installation Instructions

- Position the handrail clamp so it is oriented facing outward, and so it does not interfere into the width of the stairs or walkway.
- Insert the bolt through both holes on the handrail clamp first, then push the bolt through the hole in the post from the inside. Install the nut on the outside so that the bolt head is on the inside of the stairs.
- Fasten the clamp tightly together so it is closed around the handrail, making sure the post is not between the two tabs.
- Install a self-drilling screw into the handrail clamp and through the handrail. It should be positioned on the outside near the bottom, approximately as shown, to minimize contact with the hands.



Detail of Handrail Clamp Assembly