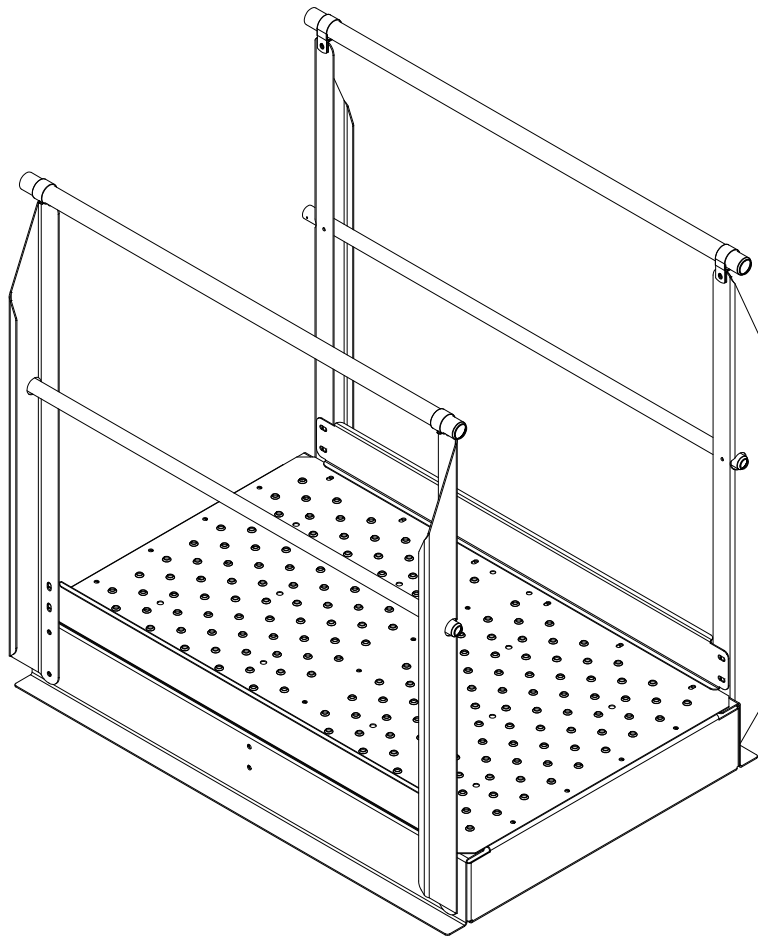
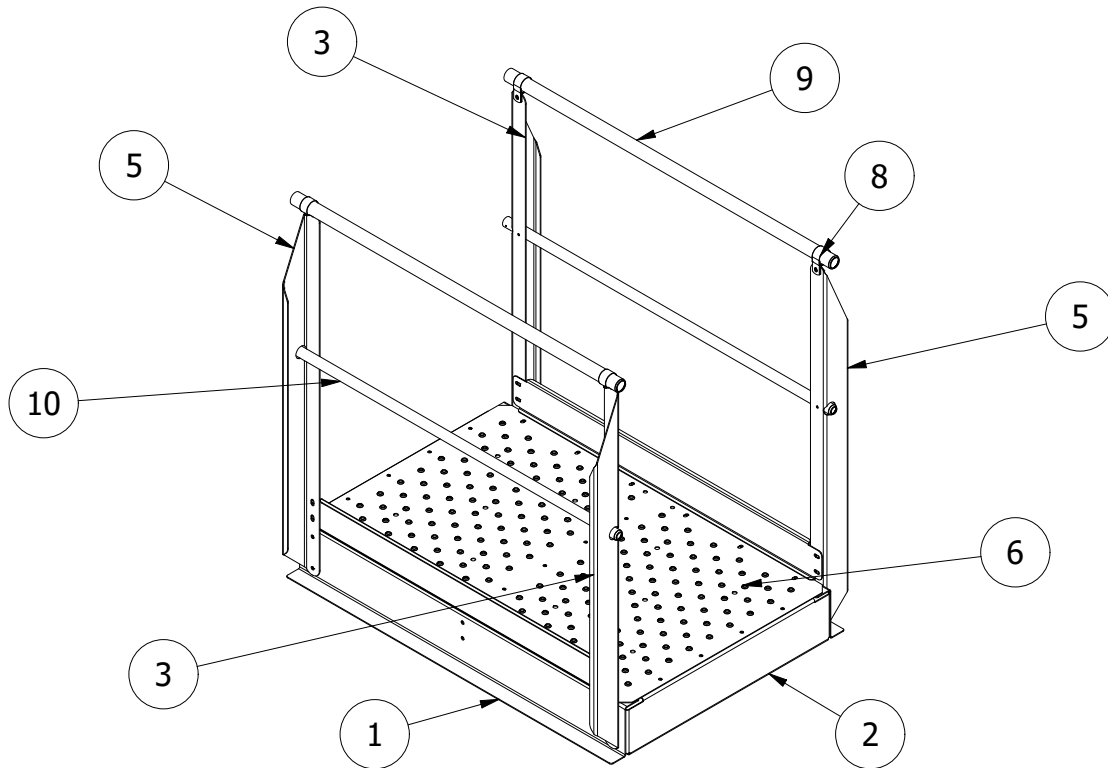


# AMA03004 Greene Galvanized Stairs



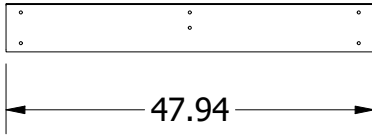
PARTS LIST

ITEM	QTY	PART NUMBER	DESCRIPTION
1	2	AM-06048	Z Rail, 6" x 2" x 48"
7	2	AM-40004	Kickboard, 48"
3	2	AM-30002	Right Post
4	1	AM-20003	Mid Cross Support
5	2	AM-30001	Left Post
6	1	AM-64830	Deck Tread, 48" x 30"
2	2	AM-20001	End Cross Support
8	4	HRC1500	Handrail Clamp for 1.5 in
9	2	TR1504800	48 in x1.5 in Railing No Swage
10	2	TR1004800	48 in 1 in dia tubing No Swage

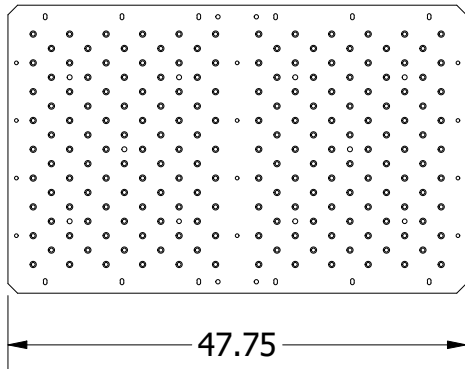


# Parts break down

AM-06048

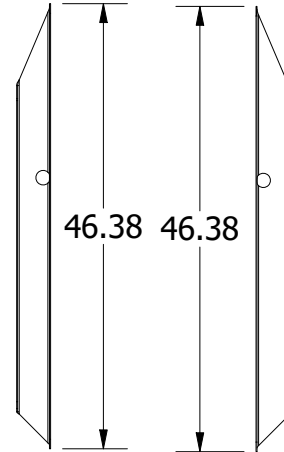


AM-64830

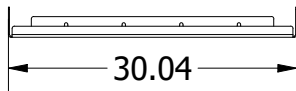


AM-30001

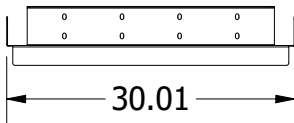
AM-30002



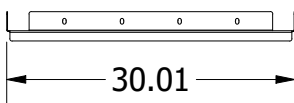
AM-20001



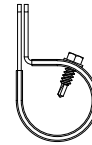
AM-20002



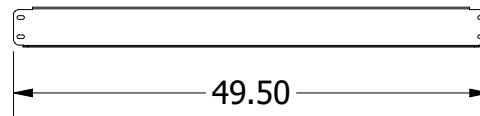
AM-20003



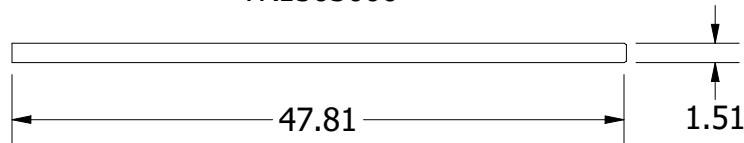
HRC1500



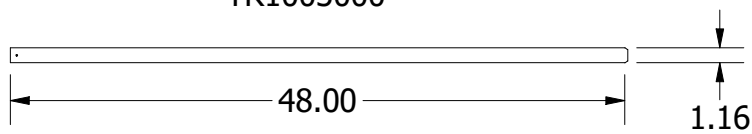
AM-40001



TR1503000



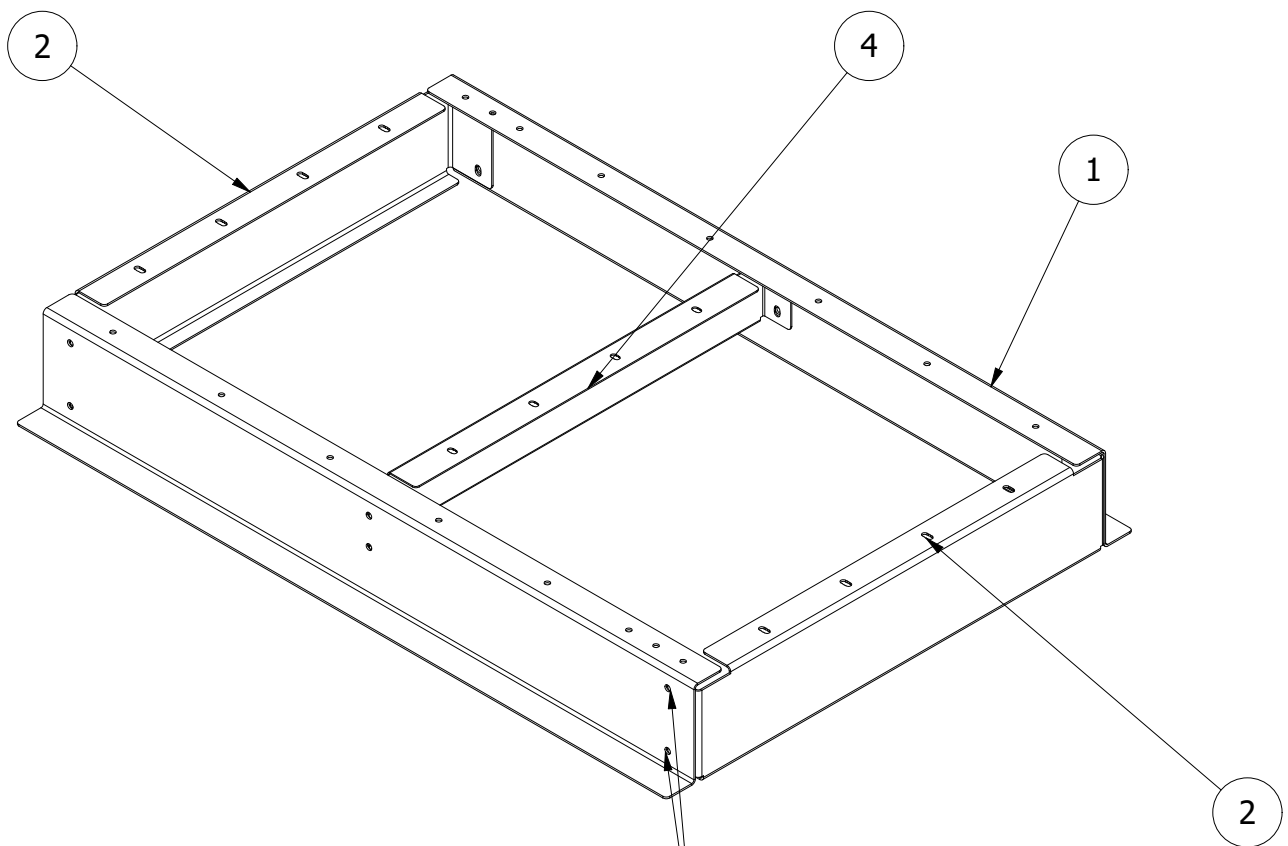
TR1003000



All units in inches

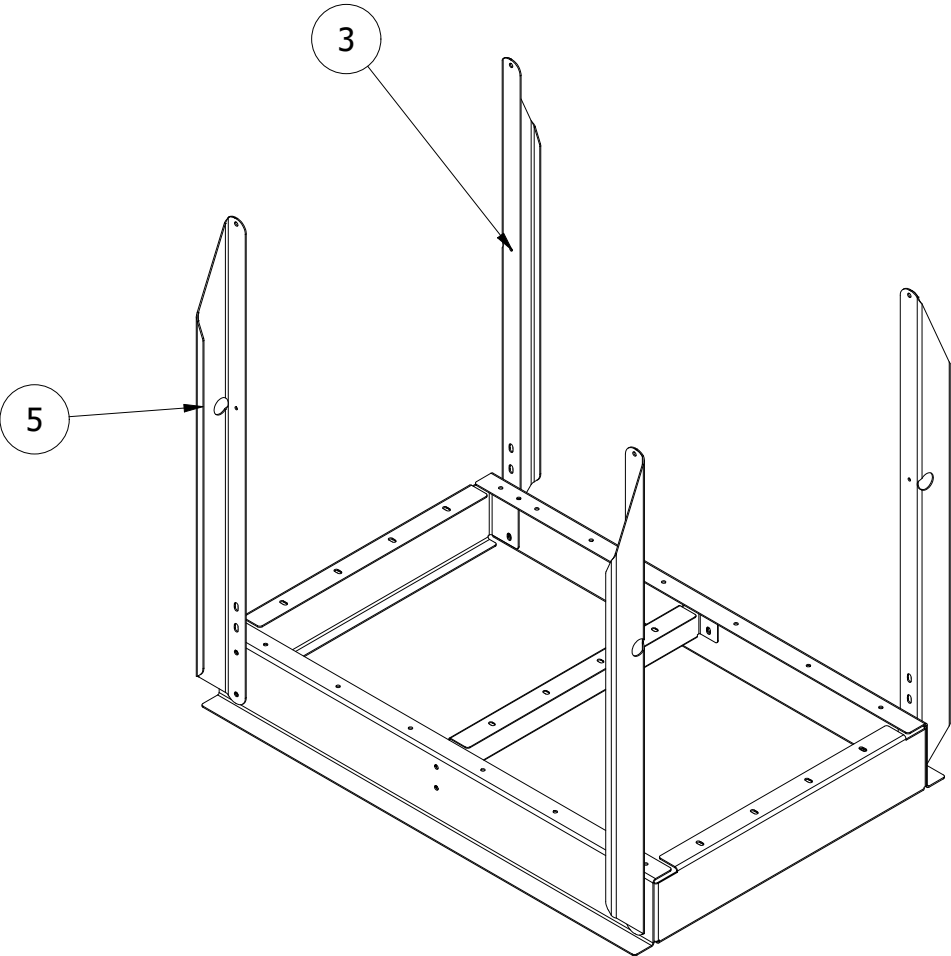
# STEP 1 : Z Rail and Mid Cross Support

PARTS LIST			
ITEM	QTY	PART NUMBER	DESCRIPTION
1	2	AM-06048	Z Rail, 6" x 2" x 48"
2	2	AM-20001	End Cross Support
4	1	AM-20003	Mid Cross Support



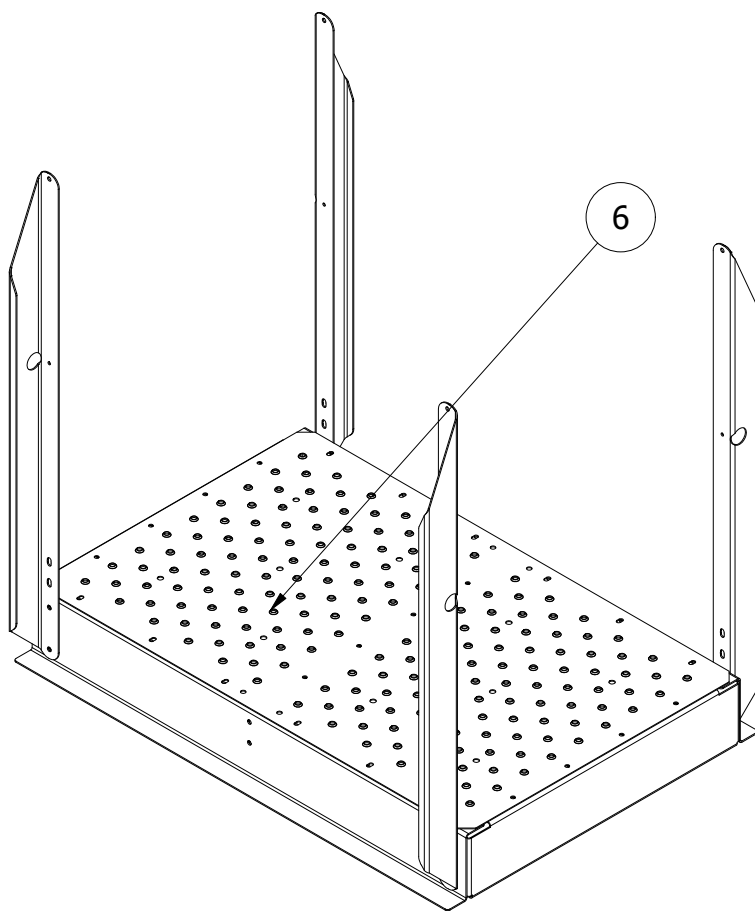
Attach the bolts loosley,  
cause you will have to remove  
the bolts to attach the  
posts on them in the next Step

# STEP 2: Adding the left and right Posts



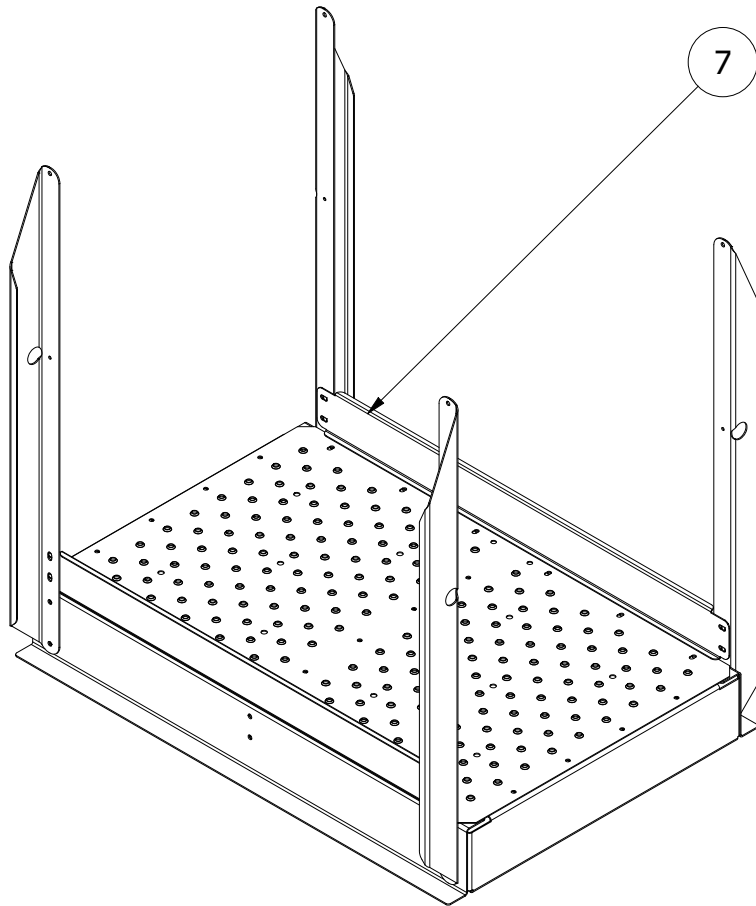
# STEP 3: Adding the Deck

PARTS LIST			
ITEM	QTY	PART NUMBER	DESCRIPTION
6	1	AM-64830	Deck Tread, 48" x 30"



# STEP 4: Adding the kickboards

PARTS LIST			
ITEM	QTY	PART NUMBER	DESCRIPTION
7	2	AM-40004	Kickboard, 48"



# STEP 5: Adding the Handrail and guardrail

PARTS LIST			
ITEM	QTY	PART NUMBER	DESCRIPTION
8	4	HRC1500	Handrail Clamp for 1.5 in
9	2	TR1504800	48 in x1.5 in Railing No Swage
10	2	TR1004800	48 in 1 in dia tubing No Swage

