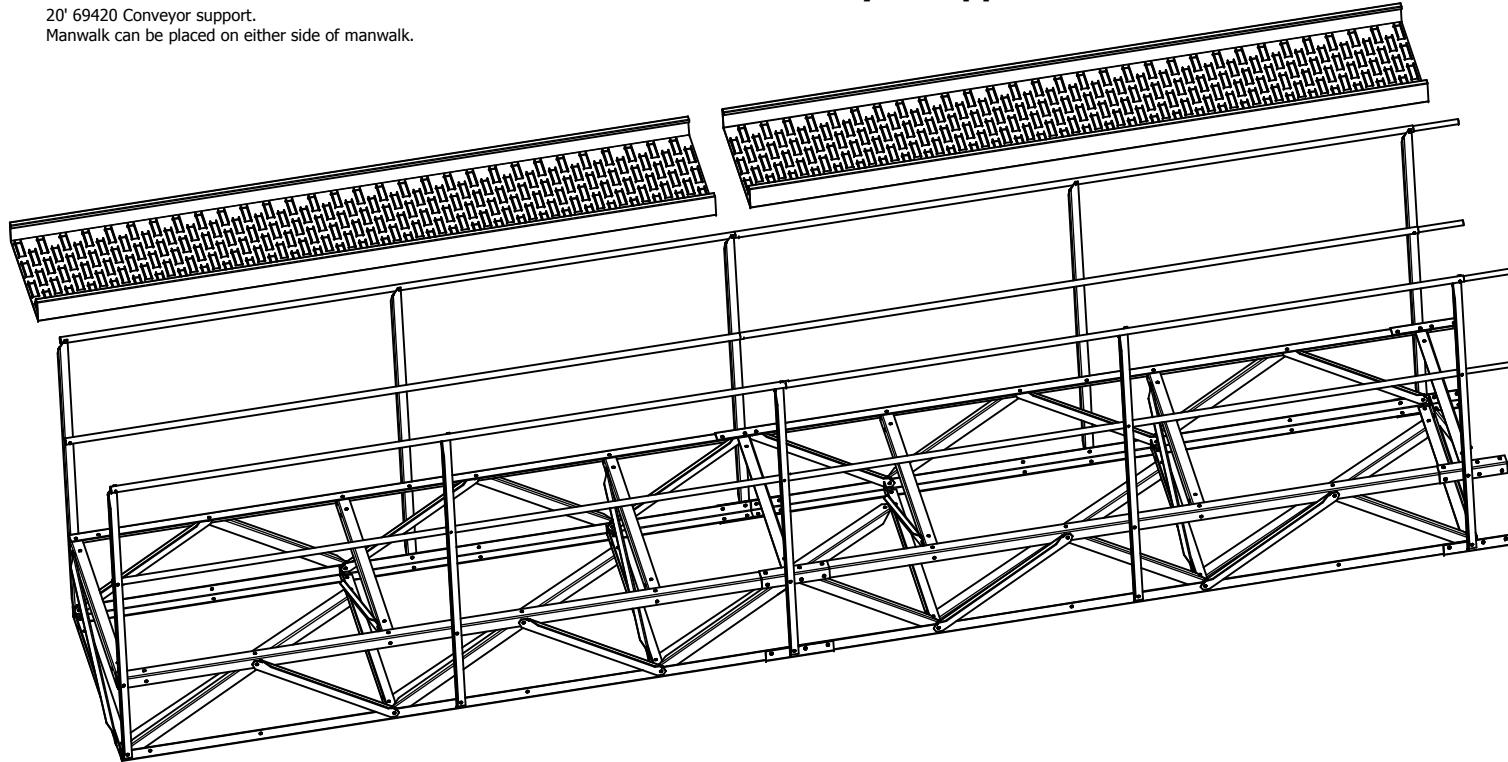


### 69420 Conveyor Support

20' 69420 Conveyor support.  
 Manwalk can be placed on either side of manwalk.



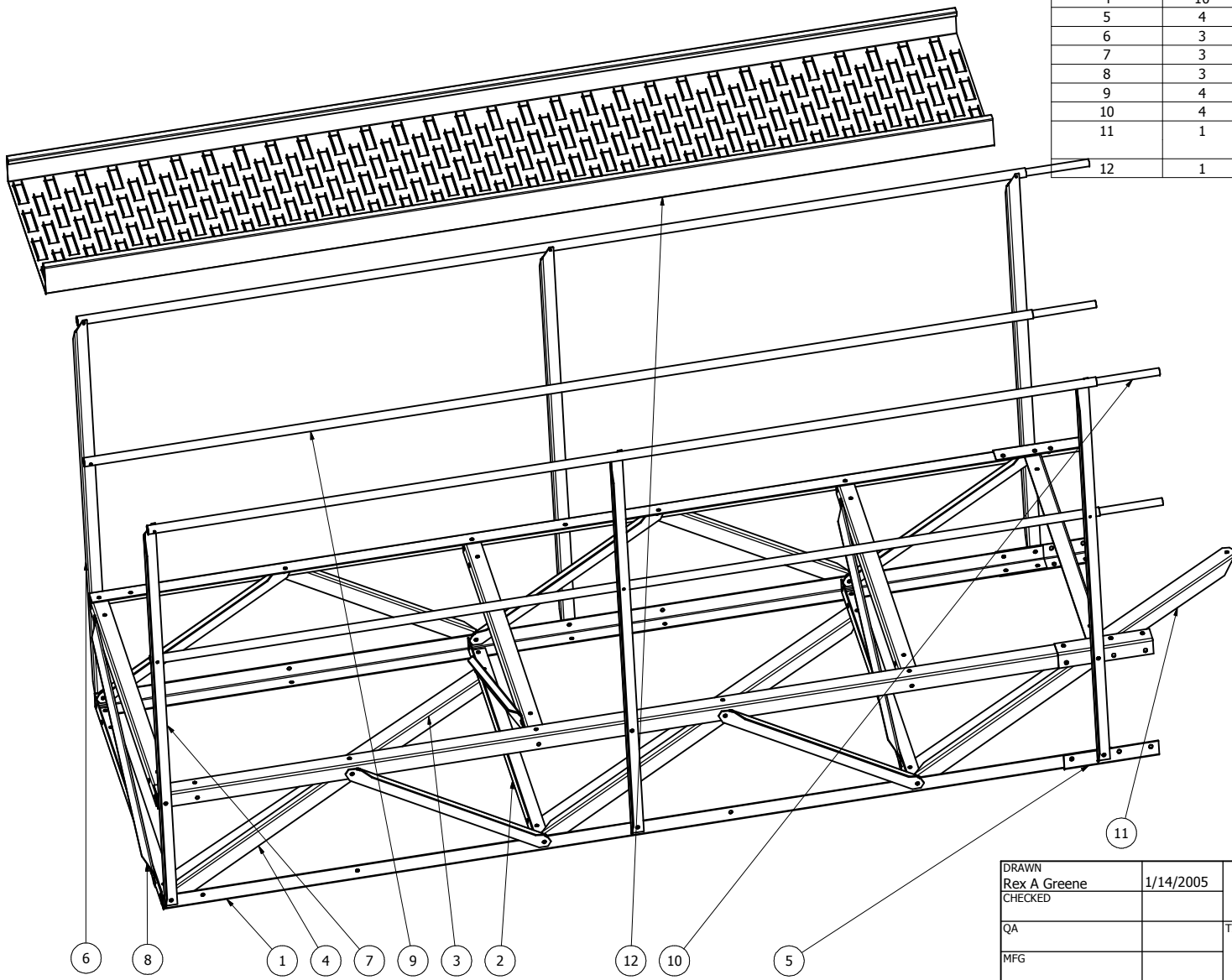
Make sure on both sides the Siderail Braces form W's  
 On bottom the Bottom Brace form Z's.  
 The Tie Braces alternate to form X's when looking from the end.

Use Hardware provided DO NOT Substitute  
 7/16 x 1 grade 5 bolts  
 7/16 whiz nuts  
 stitch screw for handrails  
 tech screws for mounting manwalk to support  
 Hold sections straight when tightening.  
**DO NOT drill holes out. This will allow support  
 to sag and reduce strength.**

DRAWN Rex A Greene	1/14/2005	Greene Welding and Hardware Inc. Greene Galvanized Stairs 217/375/4244 www.greenebinstairs.com		
CHECKED		TITLE		
QA		MFG		
APPROVED		SIZE C	DWG NO 69420 Conveyor Ins	REV
SCALE NA		SHEET 1 OF 4		

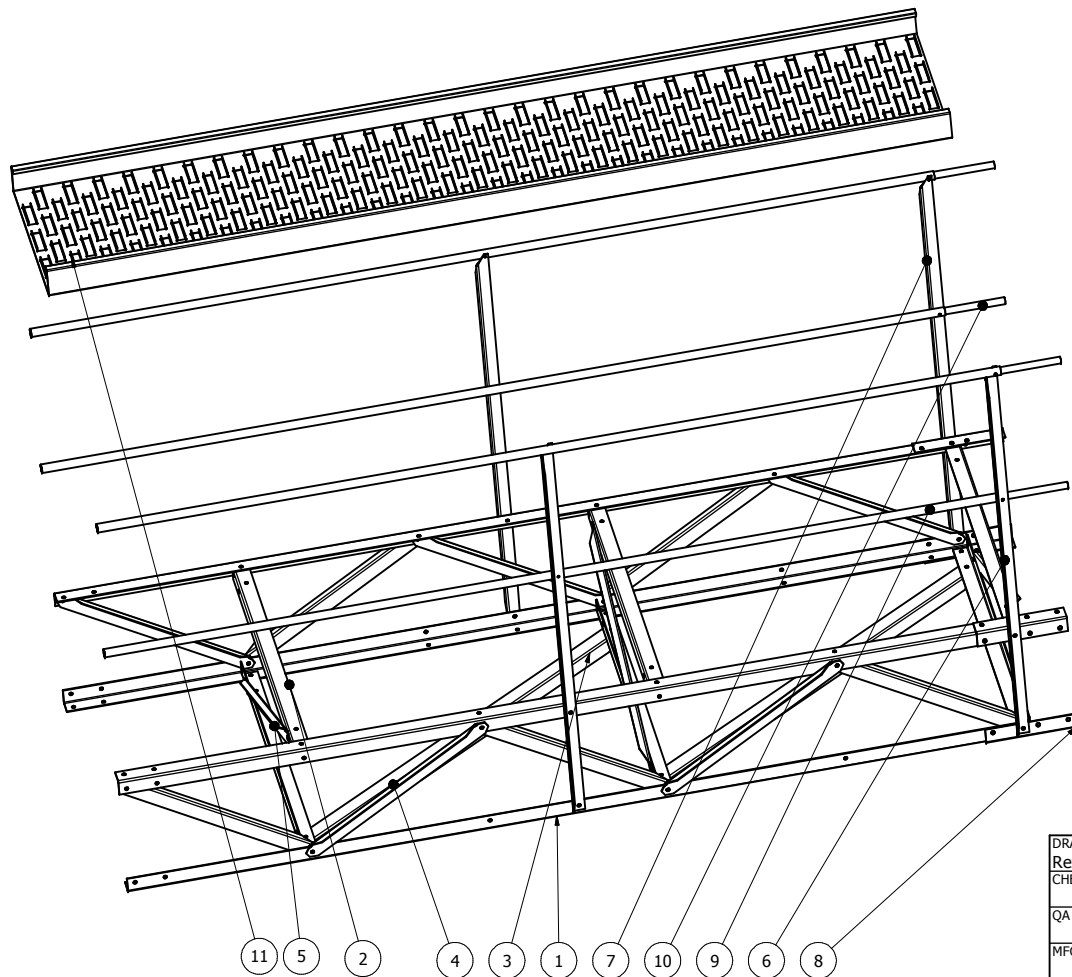
69420 Starter section

Parts List			
ITEM	QTY	PART NUMBER	DESCRIPTION
1	4	SR1010 Siderail	
2	7	CT0042 42 cross tie	
3	2	BB0042 Bottom Brace 42	
4	10	SB0017 Side Brace	
5	4	SS0010 Siderail Splice	
6	3	PL0017 17 post Left	
7	3	PR0017 17 post right	
8	3	TB4217 Tie Brace	
9	4	HR1120 Handrail 120	
10	4	HRS185 Handrail splice	
11	1	BBS042 Bottom Brace for Splice	
12	1	61610 Manwalk	



DRAWN Rex A Greene	1/14/2005	Greene Welding and Hardware Inc. Greene Galvanized Stairs 217/375/4244 www.greenebinstairs.com	
CHECKED		TITLE	
QA		SIZE	
MFG		C	
APPROVED		DWG NO	REV
		69420 Conveyor Ins	
SCALE	NA	SHEET 2 OF 4	

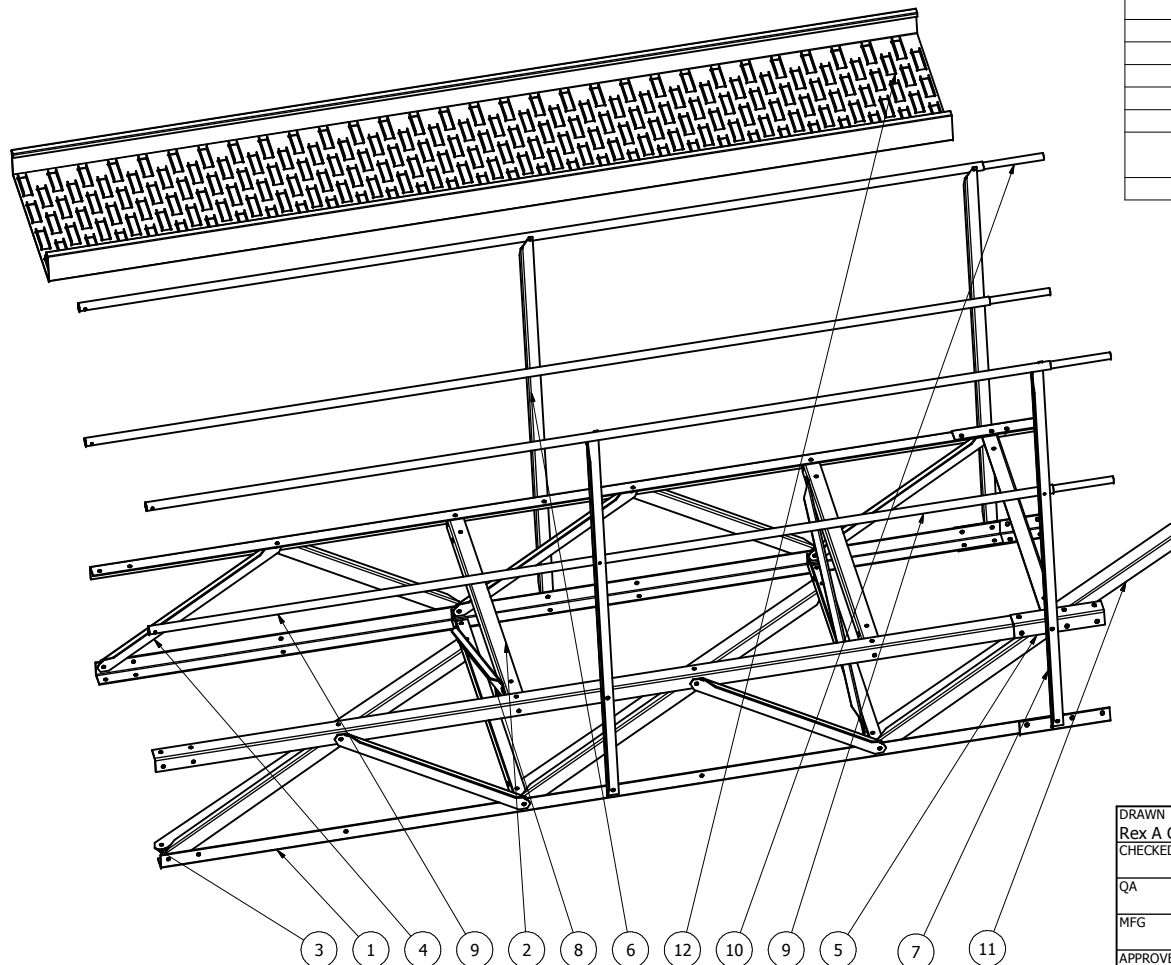
69420 Even sections



Parts List			
ITEM	QTY	PART NUMBER	DESCRIPTION
1	4	SR1010 Siderail	
2	6	CT0042 42 cross tie	
3	2	BB0042 Bottom Brace 42	
4	10	SB0017 Side Brace	
5	3	TB4217 Tie Brace	
6	2	PR0017 17 post right	
7	2	PL0017 17 post Left	
8	4	SS0010 Siderail Splice	
9	4	HR1120 Handrail 120	
10	4	HRS185 Handrail splice	
11	1	61610 Manwalk	

DRAWN Rex A Greene	1/14/2005	Greene Welding and Hardware Inc. Greene Galvanized Stairs 217/375/4244 www.greenebinstairs.com		
CHECKED		TITLE		
QA		MFG		
APPROVED		SIZE C	DWG NO 69420 Conveyor Ins	REV
		SCALE NA	SHEET 3 OF 4	

69420 Odd Sections



Parts List			
ITEM	QTY	PART NUMBER	DESCRIPTION
1	4	SR1010 Siderail	
2	5	CT0042 42 cross tie	
3	2	BB0042 Bottom Brace 42	
4	10	SB0017 Side Brace	
5	4	SS0010 Siderail Splice	
6	2	PL0017 17 post Left	
7	2	PR0017 17 post right	
8	2	TB4217 Tie Brace	
9	4	HR1120 Handrail 120	
10	4	HRS185 Handrail splice	
11	1	BBS042 Bottom Brace for Splice	
12	1	61610 Manwalk	

DRAWN Rex A Greene	1/14/2005	Greene Welding and Hardware Inc. Greene Galvanized Stairs 217/375/4244 www.greenebinstairs.com		
CHECKED		TITLE		
QA		MFG		
MFG		APPROVED		
APPROVED		SIZE C	DWG NO 69420 Conveyor Ins	REV
		SCALE NA	SHEET 4 OF 4	