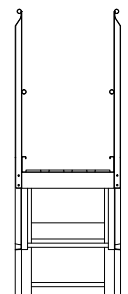
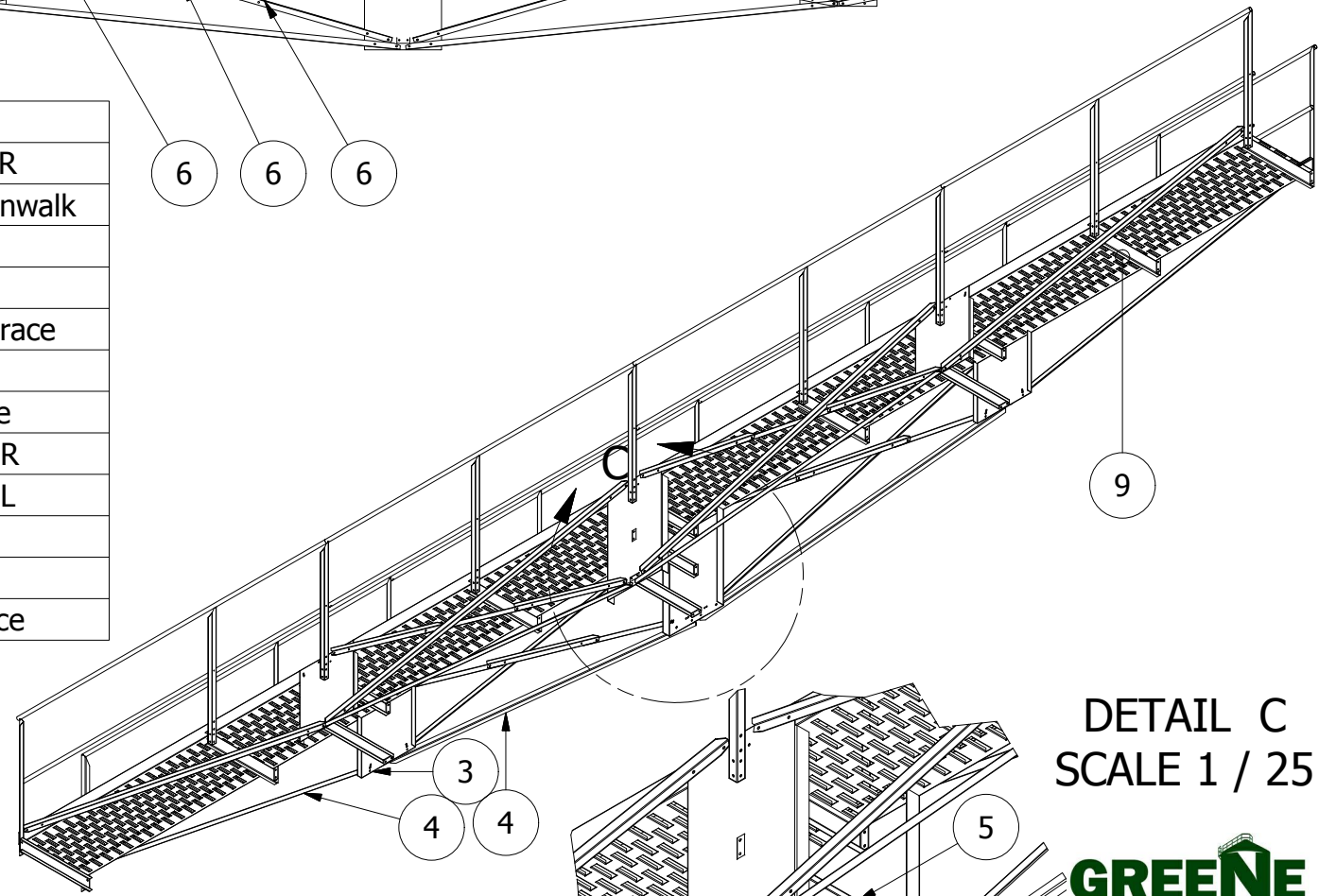
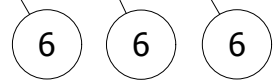


PARTS LIST		
ITEM	QTY	PART NUMBER
1	4	61210 10' 12 ga manwalk
2	2	6236 splice plate
3	4	6205 Splice Plate
4	12	6210 10' Manwalk brace
5	7	6203 Plate Brace
6	12	6310 Short 10' brace
7	9	6206 Manwalk Post R
8	9	6207 Manwalk Post L
9	6	6208 Post Brace
10	16	HR1120
11	1	HRS185 Handrail slice



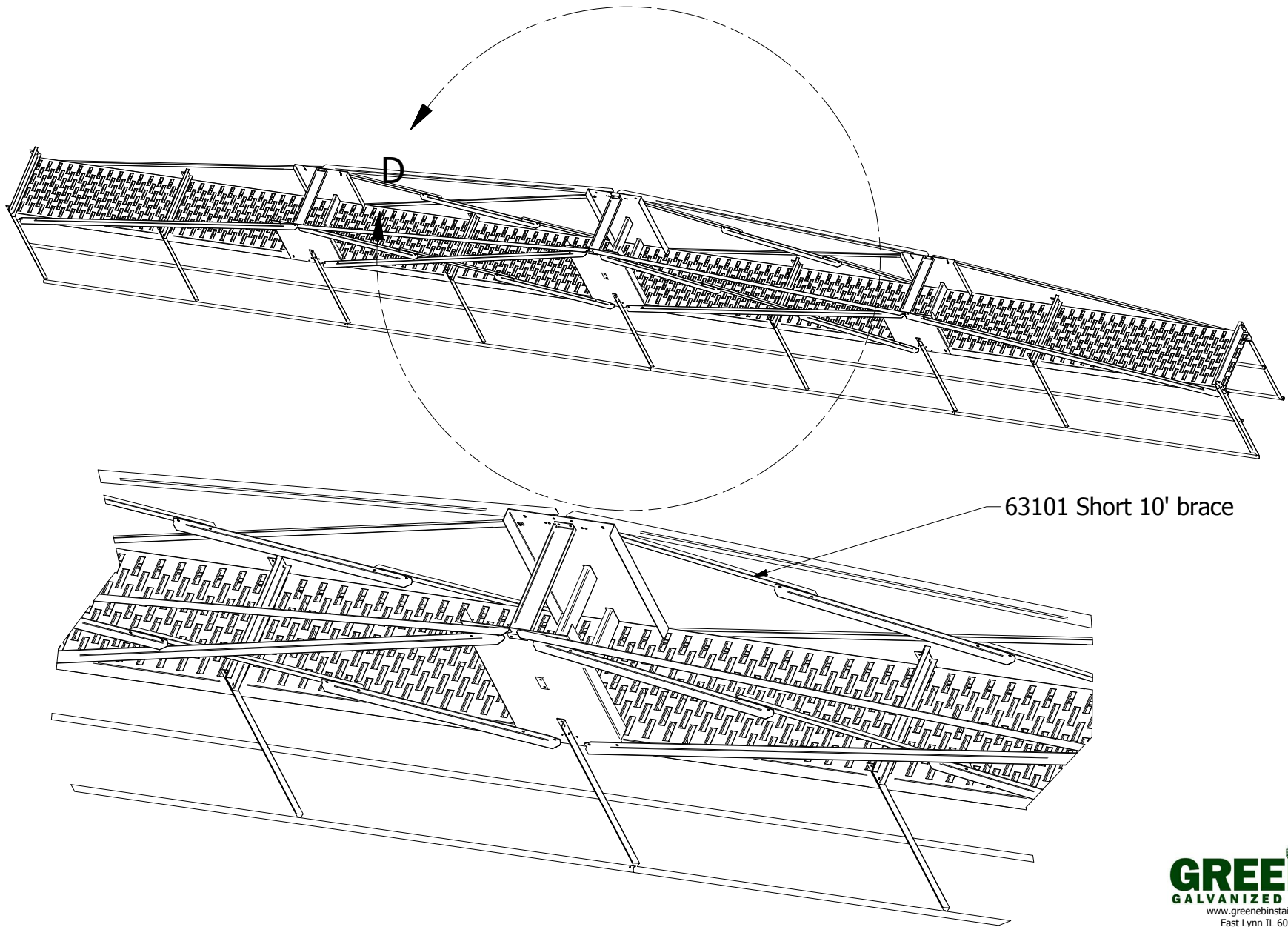
VIEW B-B  
SCALE 1/50

NOTE: All holes in manwalk deck are field drilled to application.

DETAIL C  
SCALE 1 / 25

**GREENE**  
GALVANIZED STAIRS  
www.greenebinstairs.com  
East Lynn IL 60932  
217-375-4244 / 217-375-4245 FAX

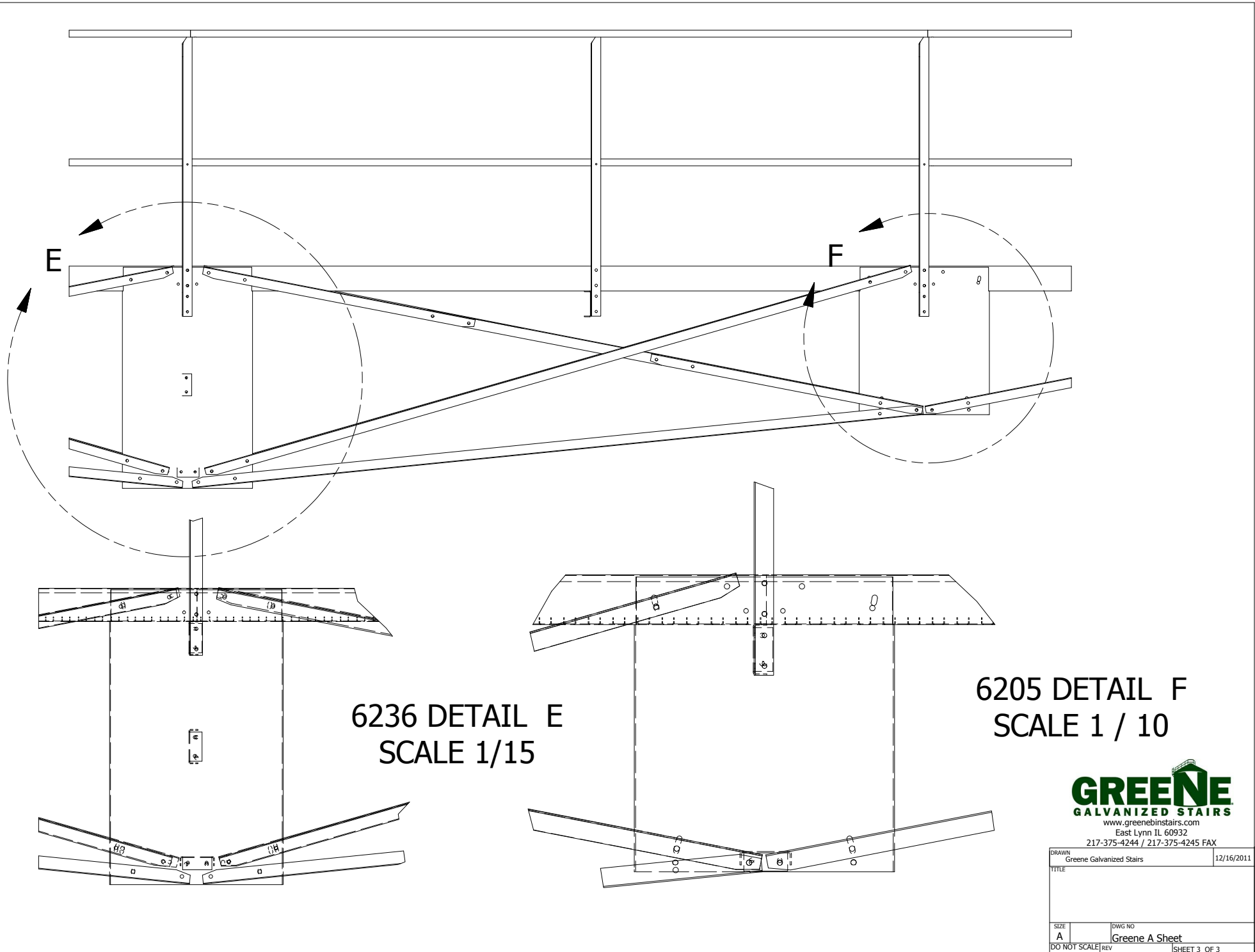
DRAWN Greene Galvanized Stairs	DWG NO Greene A Sheet	12/16/2011
TITLE <b>IN-62009</b>		
SIZE A	DO NOT SCALE REV	SHEET 1 OF 3



DETAIL D  
SCALE 1 / 25

**GREENE**  
GALVANIZED STAIRS  
www.greenebinstairs.com  
East Lynn IL 60932  
217-375-4244 / 217-375-4245 FAX

DRAWN Greene Galvanized Stairs		12/16/2011
TITLE		
SIZE A	DWG NO Greene A Sheet	
DO NOT SCALE	REV	SHEET 2 OF 3



6236 DETAIL E  
SCALE 1/15

6205 DETAIL F  
SCALE 1 / 10

**GREENE**  
GALVANIZED STAIRS

www.greenebinstairs.com  
East Lynn IL 60932  
217-375-4244 / 217-375-4245 FAX

DRAWN Greene Galvanized Stairs		12/16/2011
TITLE		
SIZE A	DWG NO Greene A Sheet	
DO NOT SCALE REV		SHEET 3 OF 3