



ITEM	QTY	PART NUMBER
1	2	61212 Manwalk 12'
2	2	6205 Truss Plate
3	4	6212 12' Manwalk Brace
4	2	6213 Plate Brace
5	5	6206 Manwalk Post Right
6	5	6207 Manwalk Post Left
7	4	6208 Post Brace
8	8	HR1144 Handrail
	4	HRS185 Handrail Splices



DRAWN Ray A Greene	4/13/2005	Greene Welding and Hardware Inc. Greene Galvanized Stairs 217/3754244 www.greenebstairs.com
CHECKED		TITLE
QA		IN-62004
RPG		SIZE
APPROVED		C
		SCALE
		NA
		KEY
		24' manwalk
		SHEET 1 OF 1

GREENE

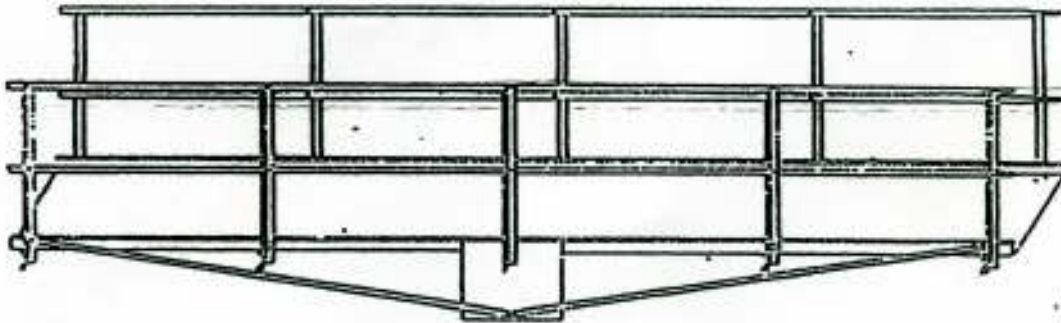
WELDING & HDW., INC.

BOX 191 • EAST LYNN, IL 60932 • 217-375-4244

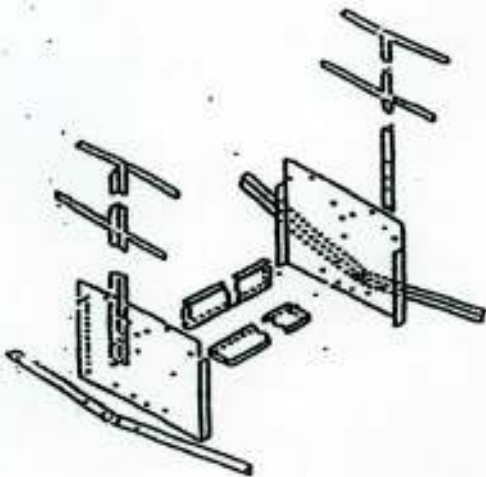
Galvanized Stairs

COMMERCIAL AND FARM

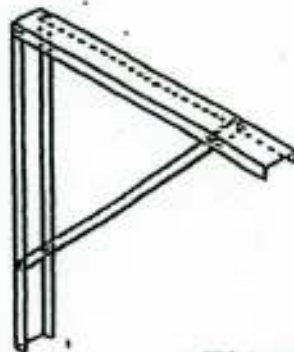
MANWALK INSTALLATION INSTRUCTIONS



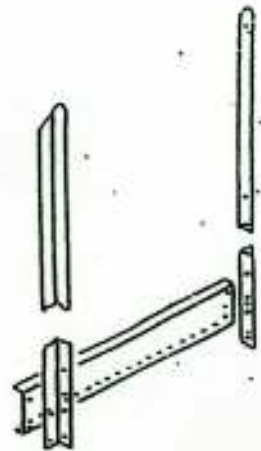
ASSEMBLED MANWALK



TRUSS PLATE ASSEMBLY



A-FRAME



POST ASSEMBLY

Note: All holes in the walkway are to be field drilled

Assemble the truss plate assembly and fasten it to the walkway keeping the two pieces of walkway straight. Find the desired length of the walkway, if cutting is required, cut equally from both ends of the walkway. Mount a post assembly 6" from each end of the walkway (if the end of the walkway is cut at an angle, the post assembly should be 6" from the shorter side of the walkway leaving 6" plus on the other side). Fasten one end of the truss brace to the truss plate assembly and the other end mounts next to the end post assembly, some cutting may be necessary. Place the intermediate post assembly between the end post assembly and the truss plate assembly sliding it toward the end post assembly and fasten unit to the walkway where it touches the truss brace. When fastening the handrails to the post use TEK screws keeping the splices of the handrails on the post (some cutting may be necessary).