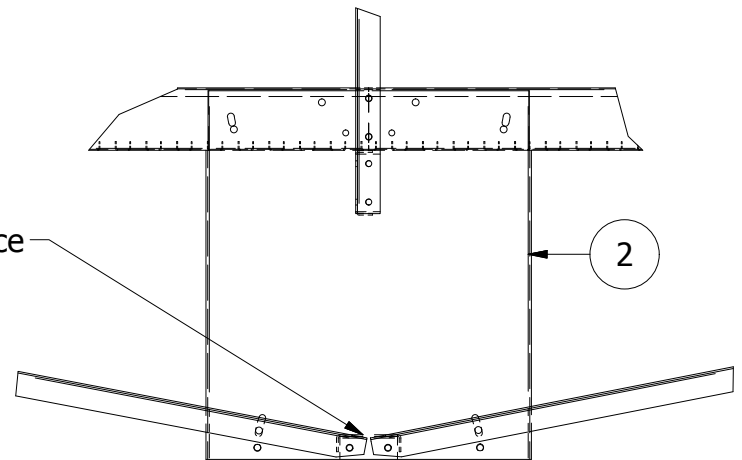


DETAIL B
SCALE 0.08 : 1

6213 Plate Brace



DETAIL A
SCALE 0.08 : 1

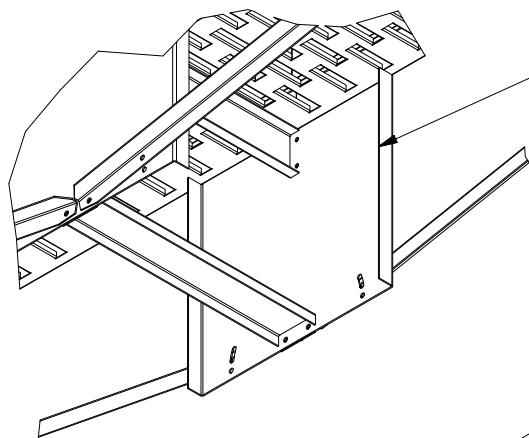
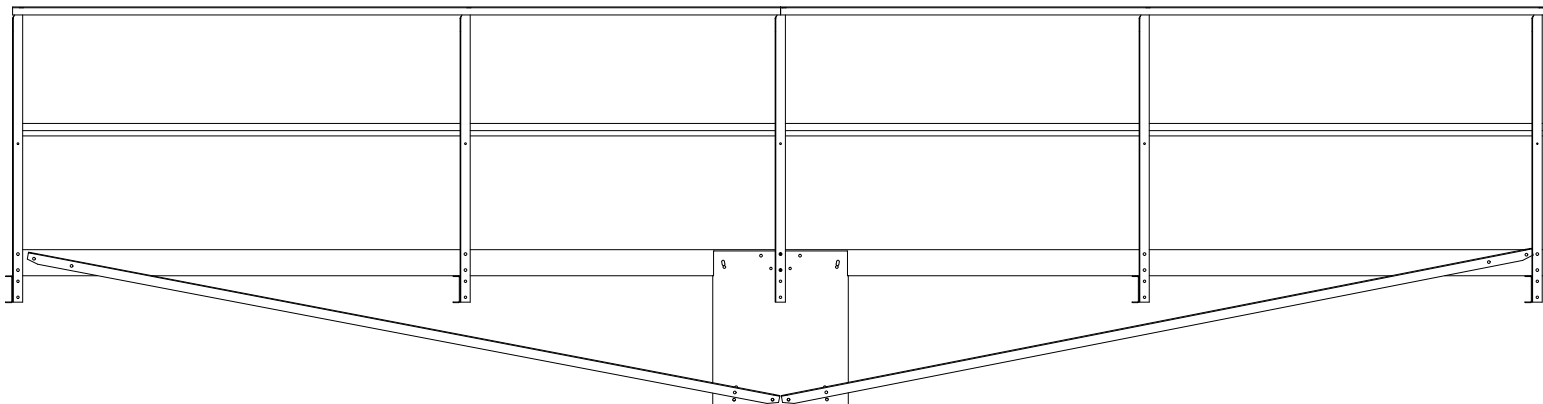
IN-62003

GREENE
GALVANIZED STAIRS

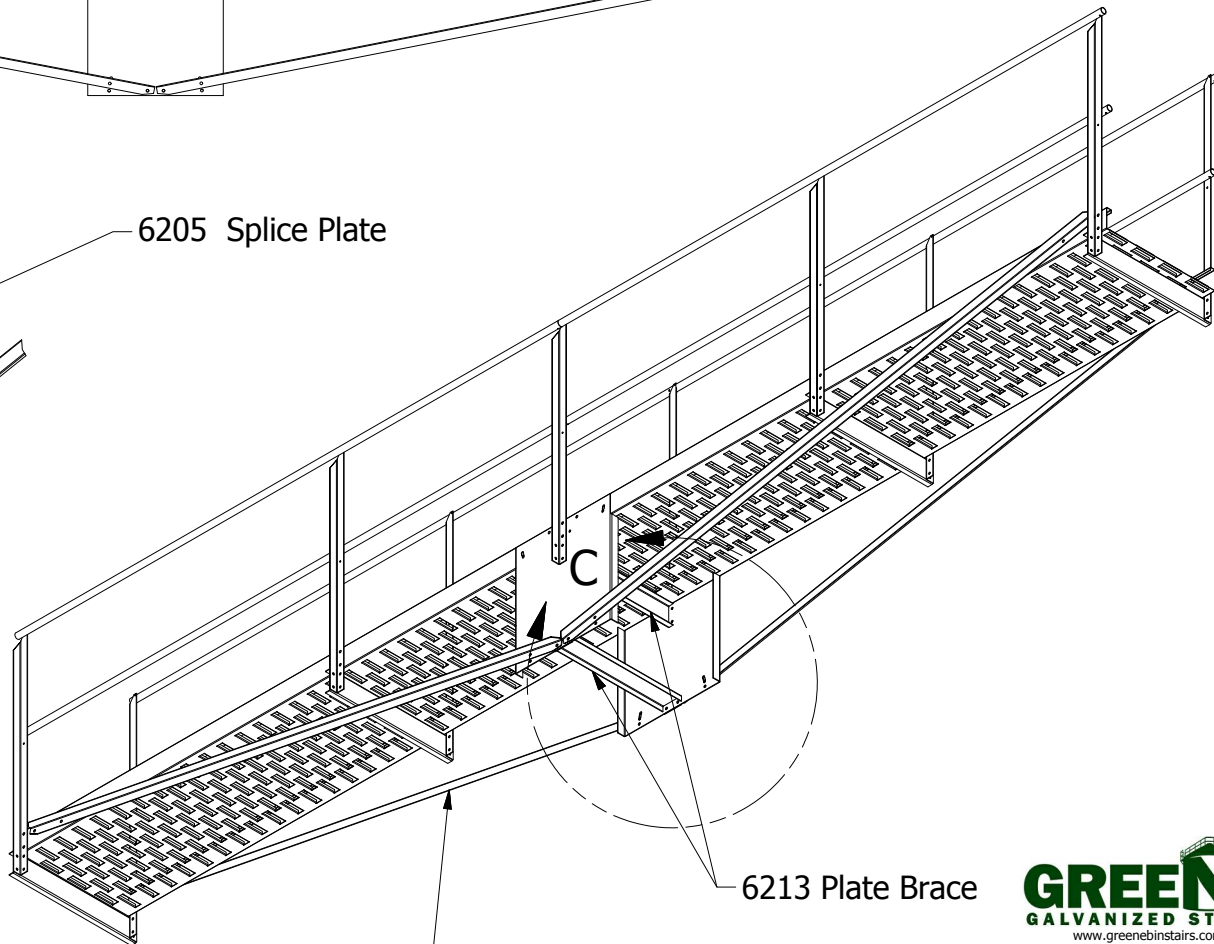
www.greenebinstairs.com
East Lynn IL 60932
217-375-4244 / 217-375-4245 FAX

PARTS LIST		
ITEM	QTY	PART NUMBER
1	2	61610
2	2	6205 Splice Plate
3	4	6210 10' Manwalk brace
4	2	6213 Plate Brace
5	5	6206 Manwalk Post R
6	5	6207 Manwalk Post L
7	4	6208 Post Brace
8	8	HR1120

DRAWN Mike Adams	DWG NO 20' Manwalk Instructions	1/29/2013
TITLE 20' Manwalk Instructions		
SIZE A	DO NOT SCALE	REV B
SHEET 1 OF 2		



6205 Splice Plate



6213 Plate Brace

6210 10' Manwalk brace

DETAIL C
SCALE 1 / 15

GREENE
GALVANIZED STAIRS

www.greenebinstairs.com
East Lynn IL 60932
217-375-4244 / 217-375-4245 FAX

DRAWN Mike Adams		1/29/2013	
TITLE 20' Manwalk Instructions			
SIZE A	DWG NO 20' Manwalk Instructions		
DO NOT SCALE	REV B	SHEET 2 OF 2	