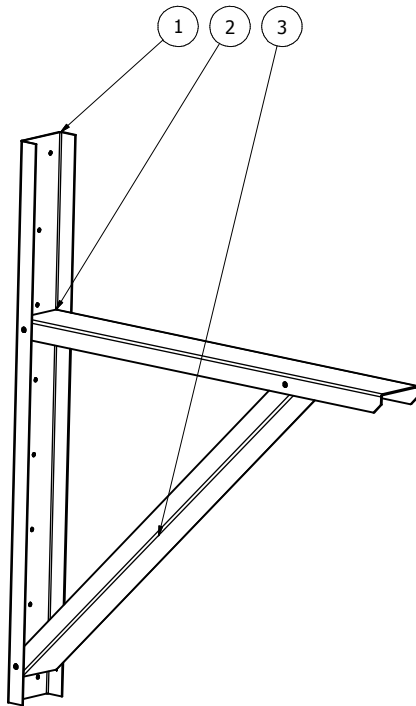


GREENE
GALVANIZED
STAIRS
 www.greenebinstairs.com

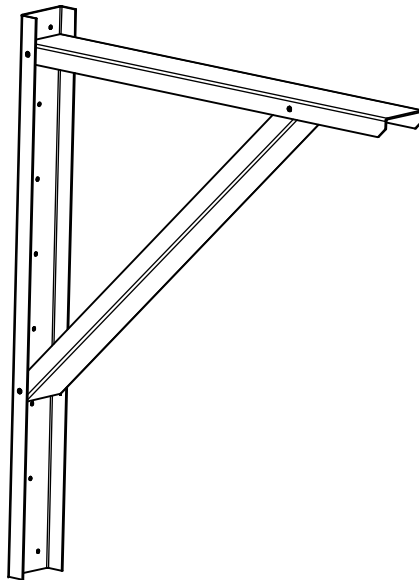
GREENE
Welding & Hdw., Inc.
 41774 Main St.
 Box 191 • East Lynn, IL 60932
 217-375-4244 • Fax: 217-375-4245

60048 A Frame

Cross bar middle.



Cross bar high.



Parts List			
ITEM	QTY	PART NUMBER	DESCRIPTION
1	1	6243 48 A Frame Mount	
2	1	6241 48 A Frame Top	
3	1	6242 48 A Frame Brace	

IN-60003

DRAWN Rex A Greene	1/7/2005	Greene Welding and Hardware Inc. Greene Galvanized Stairs 217/375/4244 www.greenebinstairs.com	
CHECKED		TITLE	
QA			
MFG			
APPROVED			
	SIZE C	DWG NO 60048 48 Bin A Frame	REV
	SCALE NA	SHEET 1 OF 1	