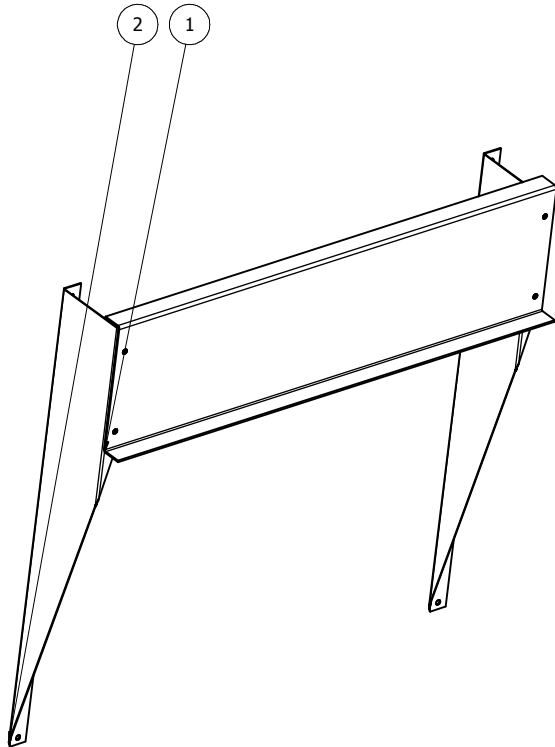


**GREENE**  
**GALVANIZED**  
**STAIRS**  
 www.greenebinstairs.com

**GREENE**  
**Welding & Hdw., Inc.**  
 41774 Main St.  
 Box 191 • East Lynn, IL 60932  
 217-375-4244 • Fax: 217-375-4245

**60039 Bin Wall Bracket**



Parts List		
ITEM	QTY	PART NUMBER
1	1	6204 Z Plate
2	2	4401 Plat Wall Bracket

IN-60002

DRAWN Rex A Greene	1/7/2005	Greene Welding and Hardware Inc. Greene Galvanized Stairs 217/375/4244 www.greenebinstairs.com		
CHECKED		TITLE		
QA		MFG		
MFG		APPROVED		
APPROVED		SIZE C	DWG NO 60039 Bin Wall Bracket	REV
SCALE NA		SHEET 1 OF 1		