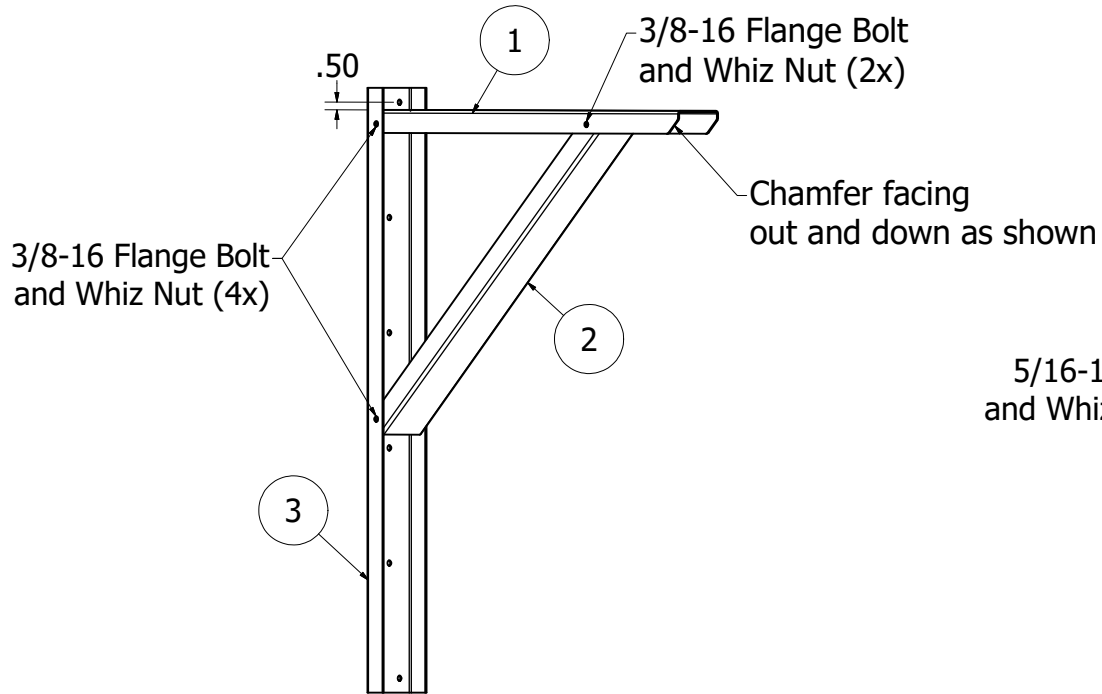


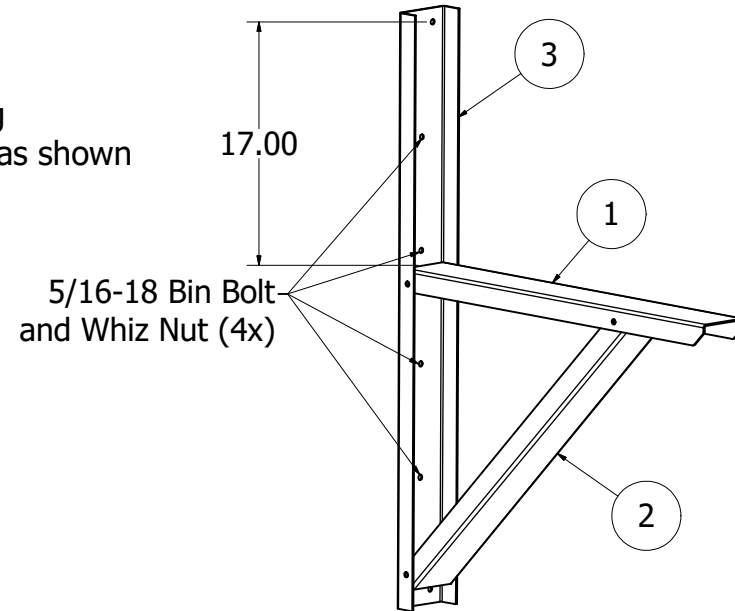
60036 A Frame

60036 A Frame can be mounted with the Cross Bar in either the High Mount or the Low Mount Position.

Cross Bar High Mount



Cross Bar Low Mount



Parts List			
ITEM	QTY	PART NUMBER	DESCRIPTION
1	1	6201	A Frame Top
2	1	6202	A Frame Brace
3	1	6203	A Frame Mount
4	4	5/16-18SFN	5-16-18 Whiz Nut
5	4	5/16-18 x 1BB	5/16-18 X 1" Bin Bolt
6	6	3/8-16SFN	3/8-16 Whiz Nut
7	6	3/8-16 x 1SFB	3/8-16 X 1 Flange Bolt

DRAWN Ziegler	1/31/2020	Greene Welding and Hardware Inc. Greene Galvanized Stairs 217/375/4244 www.greenebinstairs.com	
CHECKED		TITLE	
QA		60036 A Frame Instructions	
MFG		SIZE C	DWG NO IN-60001 60036 A Frame
APPROVED		SCALE NA	REV
		SHEET 1 OF 1	