



Sidewall Stair Assembly Instructions



35000

14400

13200

12100

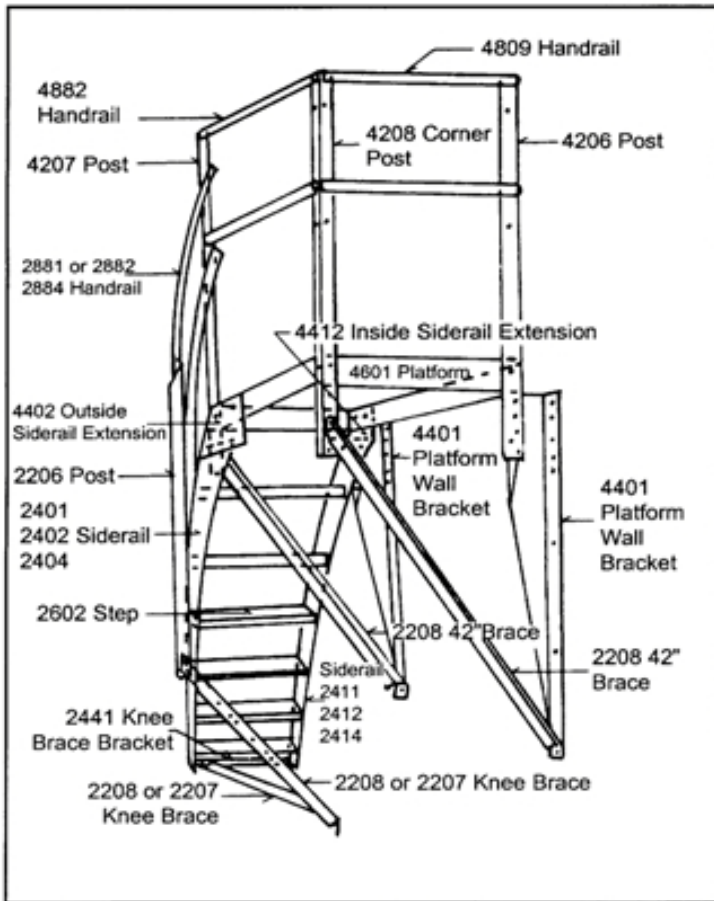
14200 CHIEF Specific Instructions

Side Wall Stairs Assembly

Before you begin, read these directions completely and carefully. Make sure you have all the necessary packages for installation (see chart 1)

The location of the Platform is determined by using different packages for the top two rings of the bin. Use the same number of sections as bin rings below the top two rings.

Height of Rings	5 ½' Below Eave	16" Below Eave	26 ½" Below Eave	Intermediate Platform
44"	1-14400 Section 1-13200 Section 1-35000 Platform	1-14400 Section 1-12100 Section 1-35000 Platform	1-13200 Section 1-12100 Section 1-35000 Platform 1-40000 Booster Step	1-13200 Section 1-36000 Intermediate Platform
32"	1-13200 Section 1-12100 Section 1-35000 Platform	1-14400 Section 1-35000 Platform	1-13200 Section 1-35000 Platform 1-40000 Booster Step	1-12100 Section 1-36000 Intermediate Platform



					21" Stair Section 12100	32" Stair Section 13200	44" Stair Section 14400	Platform 35000	Intermediate Platform 36000	Twin Platform 37000	Ladder Platform 38000	Booster Step 40000	Each package has a hardware package
1	1	1	1										2205 Wall Bracket
1	1	1											2206 Balluster Post 54"
1	1												2207 Knee Brace 32" section 34 3/4"
		1	2	2	2	2							2208 Knee Brace 44" 42 1/2"
1													2401 Siderail outside 21" section 38"
	1												2402 Siderail outside 32" section 53"
		1											2404 Siderail outside 44" section 70 1/4"
1													2411 Siderail inside 21" section 35"
	1												2412 Siderail inside 32" section 50"
		1											2414 Siderail inside 44" section 65"
			1										2441 Bottom Knee Brace bracket
2	3	4											2602 Step 9" X 20"
									1				2802 Booster Step 7" X 20"
2													2881 Handrail 21" section 34"
	2												2882 Handrail 32" section 51"
		2											2884 Handrail 44" section 67 1/2"
			1	2		1							4205 Post 9 1/2"
			1	1	2	1							4206 Platform Post Right 51 1/2"
			1	1	2	1							4207 Platform Post Left 51 1/2"
			1			1							4208 Platform Corner Post 51 1/2"
		2		2	2								4401 Platform Wall Bracket 37"
		1	2										4402 Outside Siderail extension
		1	2										4412 Inside Siderail extension
		1		1	1								4601 Platform
													4801 Side Kickboard (optional)
													4802 End Kickboard (optional)
		2	4	2									4809 Platform Handrail 20"
		2	2		2								4882 Platform Side Handrail 39"
									1				5401 Right Booster Handrail
									1				5402 Left Booster Handrail

On standard 32" or 44" sidewall bins the 35000 Platform will go around the bin 4 bolt spaces or 37 1/2".

12100 Stair Section will go around the bin 2 bolt spaces or 18 3/4".

13200 Stair Section will go around the bin 3 bolt spaces or 28 1/8".

14400 Stair Section will go around the bin 4 bolts or 37 1/2".

On bins with different size sheets the measurement will be the same but the bolt spacing may be different. On these bins the wall brackets and knee braces will have to be field-drilled.

Regular platforms are 39" long and extend 26" from the bin wall. All Stair Sections are 26" from the outside siderail to the bin wall and have a 6" wall bracket to hold away from the bin wall. The post and handrail will add another 1 1/2" to the width of the stairs and platform.

Installing Sidewall Stairs

Attach wall brackets 2205 using the center hole of the wall bracket on the horizontal seam and knee braces to bin, using bin bolts with seals. If this is a new bin the brackets and sections can be put on as the bin is going up. If it is an existing bin install all the wall brackets and knee braces on to the bin, then assemble and install the stairs starting from the bottom. One person can then climb the stairs as you are going up.

44" SIDEWALL INSTALLATION

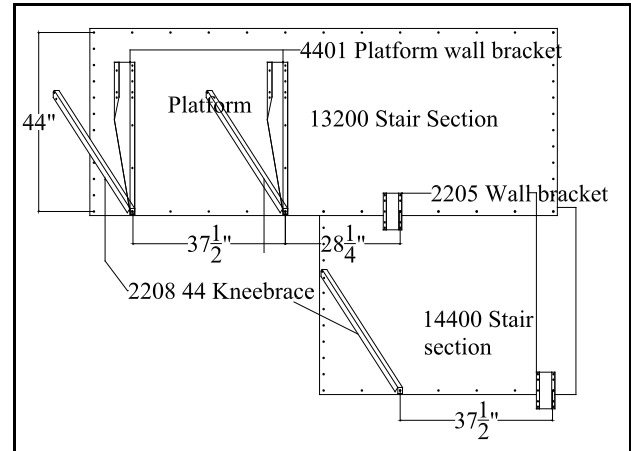


Figure 1 44" Sidewall Platform at 5 1/2"

For applications with a platform height 5 1/2" below the eave of the bin (See Fig. 1), on the top two rings use a combination of a 35000 Platform on top then a 13200 Stair Section followed by a 14400 Stair Section. Continue down the bin with 14400 sections. Holes at the top of the Platform wall brackets will be field drilled. The rest of the holes fit on the horizontal holes punched in the bin.

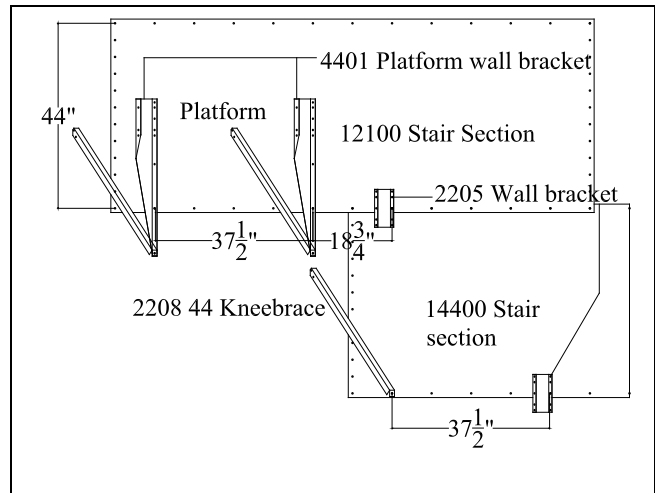


Figure 2 44" Sidewall Platform at 16"

For applications with a platform height 16" below the eave of the bin (See Fig. 2), on the top two rings use a combination of a 35000 platform on top, then a 12100 Stair Section followed by a 14400 Stair Section.

Continue down the bin with 14400 sections. The holes at the top and bottom of the Platform wall brackets will be field drilled. The rest of the holes will fit on the horizontal holes punched in the bin.

32" SIDEWALL INSTALLATION

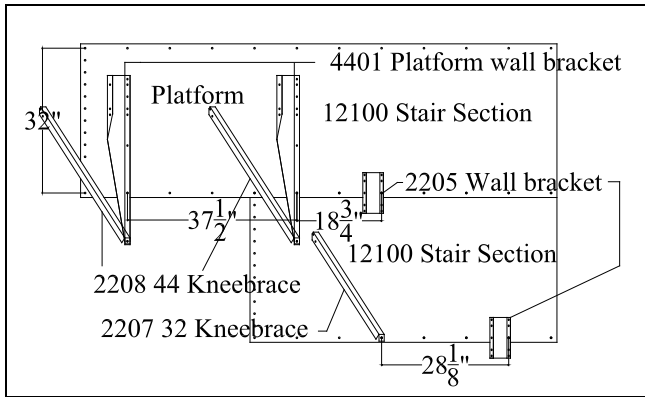


Figure 3 32" Sidewall Platform at 5 1/2"

For applications with a platform height 5 1/2" below the eave of the bin (See Fig. 3), on the top two rings use a combination of a 35000 Platform on top then a 12100 Stair Section followed by a 13200 Stair Section. Continue down the bin with 13200 sections. Holes at the top of the Platform wall brackets will be field drilled. The rest of the holes fit on the horizontal holes punched in the bin.

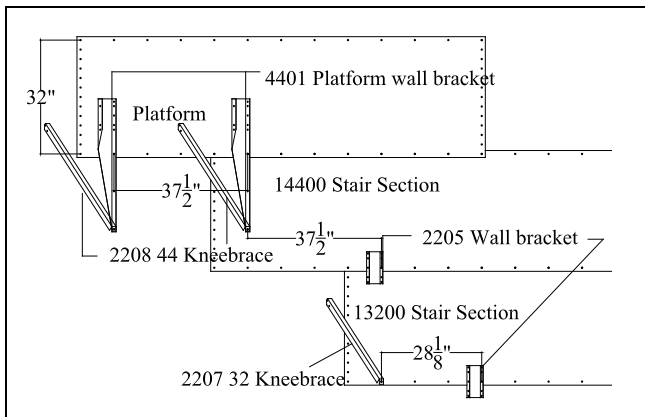


Figure 4 32" Sidewall Platform at 16"

For applications with a platform height 16" below the eave of the bin (See Fig. 4), on the

top two rings use a combination of a 35000 platform on top, then a 14400 Stair Section followed by a 13200 Stair Section. Continue down the bin with 13200 sections. Holes at the top and bottom of the Platform wall brackets will be field drilled. The rest of the holes fit on the horizontal holes punched in the bin.

The stairs and platform are assembled with 5/16 x 3/4" cap screws and 5/16" nuts. Use a 5/16" flat washer on a slot.

Assembling the 35000 Platform

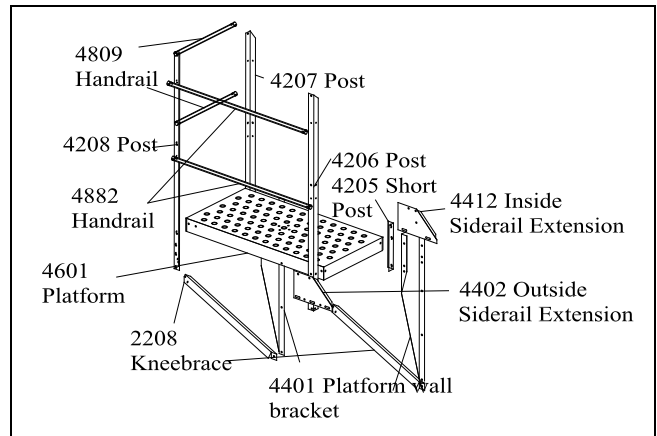


Figure 5 35000 Platform

After attaching wall brackets and knee braces to the bin wall assemble the platform.

First take the platform deck and attach the 4 corner posts. The post position will be determined by which way you are going around the bin.

Attach the inside and outside siderail extensions. (4412, 4402) The outside is the one with 7 holes.

Attach platform to the (4401) wall brackets and (2208) knee braces on the bin. The top of the platform deck will be 3" above the top of the wall brackets. The knee brace attaches to the platform post in the second and third holes

from the bottom of the post. Attach the handrails. The handrails go on the outside of the posts and are attached with 5/16" x 1 1/2" carriage bolt and 5/16" whiz nuts. Tighten all bolts.

ASSEMBLING STAIR SECTIONS

All of the stair sections go together the same way.

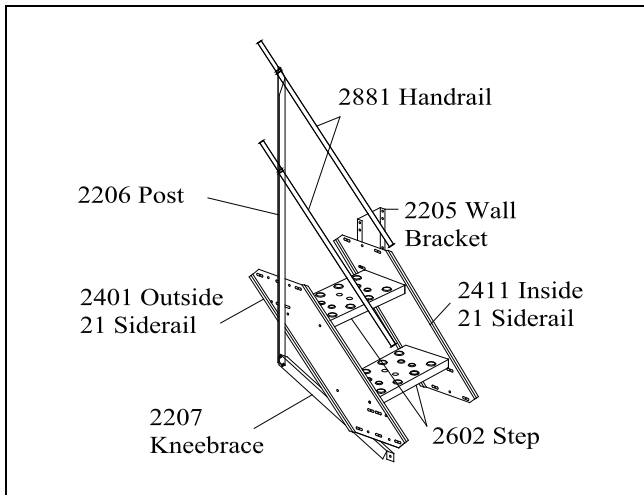


Figure 6 12100 Stair Section

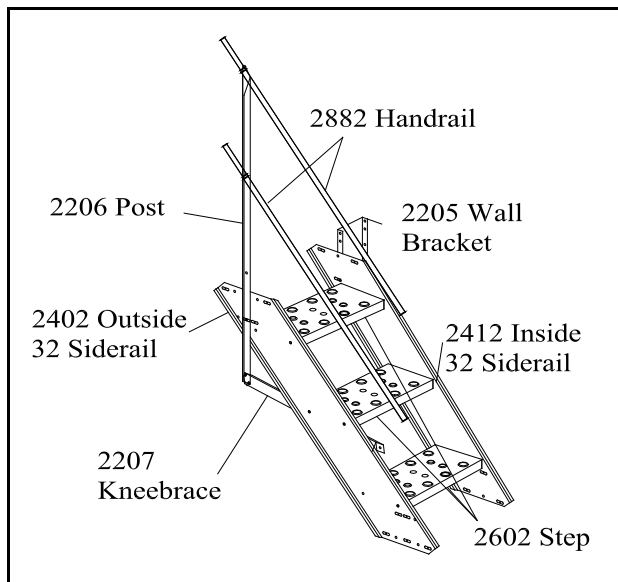


Figure 7 13200 Stair Section

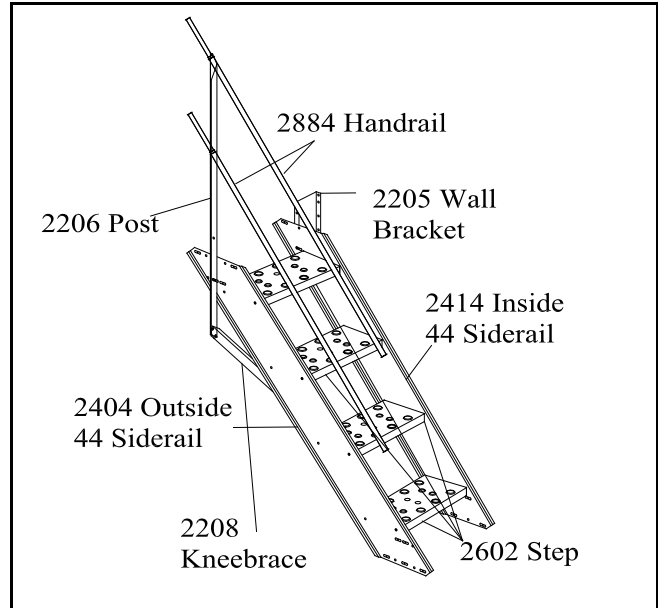


Figure 8 14400 Stair Section

Assembling Sections

Attach the inside and outside siderails to the steps. The side of the step the siderails go on is determined by the direction the stairs go around the bin. The *Outside* siderail is the one with the 5 holes in the ends and is longer than the *Inside* siderail. Attach with the painted end up. The ends of the siderails will be parallel with the steps. On 14400 Stair Sections the outside siderail has slots where the upper and lower steps attach. The steps can be adjusted to fit the curve of the bin. These bolts will be tightened after the section is on the bin. Tighten the rest of the bolts.

Attaching Sections to Bin

Attaching Inside Siderail

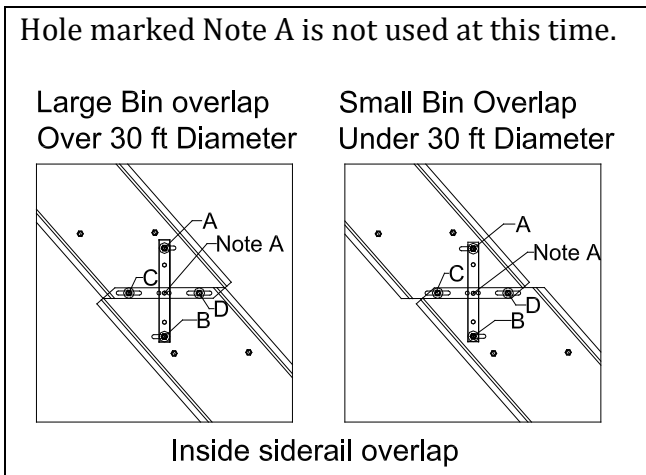


Figure 9 Inside Siderail Overlap

Attach the inside siderail using the single slot (A and B) 4" from end of siderail to the wall brackets using the lowest hole (B) in the upper wall bracket and the highest hole in the lower wall bracket. (A)

Fasten the inside siderails together holes (C and D) using 5/16" bolts, nuts and flat washers (since slots are present). At this time equalize the siderail on the slotted holes and tighten bolts.

Attaching Outside Siderail

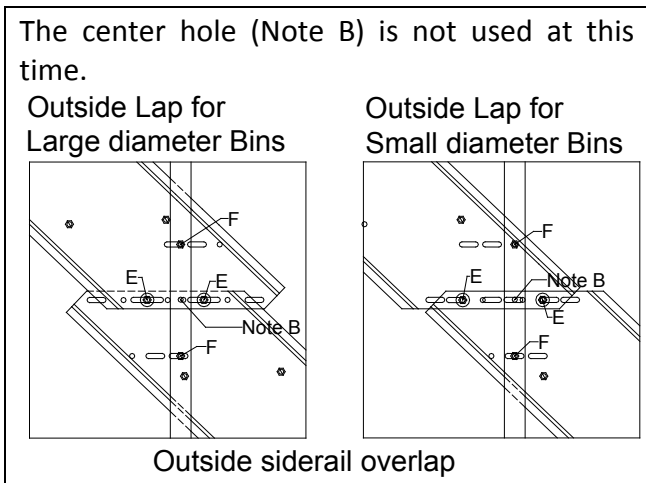


Figure 10 Outside Siderail Overlap

Level the step farthest from the splice. Align the horizontal row of holes in the end of the siderail. There will be an offset in the upper and lower siderail depending on the diameter of the bin; the smaller the bin the longer outward lap, the larger the bin the longer the inward lap. Fasten the splice using the 2 most outward (E) holes that line up. Attach the post to the outside siderails using the upper and lower holes (F) of the set of 3.

Attach the knee brace to the end of the post. Level step and tighten bolts in outside siderail splice. Plumb post and tighten. Tighten all bolts in the sections. Attach the rest of the sections by repeating process.

Bottom Knee Brace Bracket

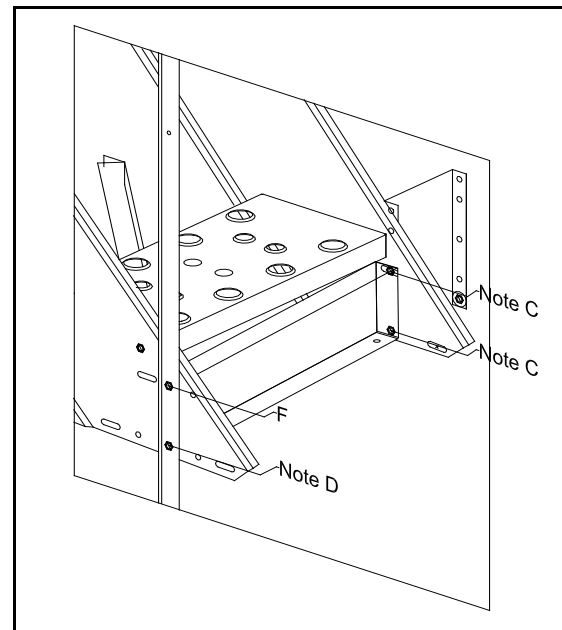


Figure 11 Knee Brace Bracket

This item is shipped in the Stair Platform bundle but it goes at the very bottom of the stairs, place the long flange with the holes down. Attach to the inside siderail and the wall bracket using holes marked Note C.

This is the only time the hole marked Note A from figure 9 is used.

Attach to the outside side rail and post using the holes marked F and Note D. **(This is the only time this hole marked Note D is used).** Using the knee brace that was replaced at the top section attach the knee brace to the hole in the lower flange of the knee brace bracket near the outside rail. Level the step. *Field-drill* the hole in the sidewall for the other end of knee brace, and attach it to bin wall. Tighten all bolts.

Attaching Handrails

After all the sections are installed, attach the handrails. The stair handrails need to be arched to fit the bin diameter. They should be arched so that the curve will match the side of the bin.

The handrails can be formed by pressing the handrail against the bin wall, where the wall brackets are attached until the desired arc is achieved. The upper handrail should go on the outside of the post. The intermediate rail goes on the inside of the post. The handrails have 1 starter hole in the large end check position of hole before bending handrail. Beginning at the bottom and progressing up the stairs attach the handrail with a self drilling stitch screw.

Read and follow directions carefully for installation. We are not responsible for damage or accidents caused by improper installation.

Our stairs are designed to hold one person and weight one person can carry per set.

Installing 36000 Intermediate Platform

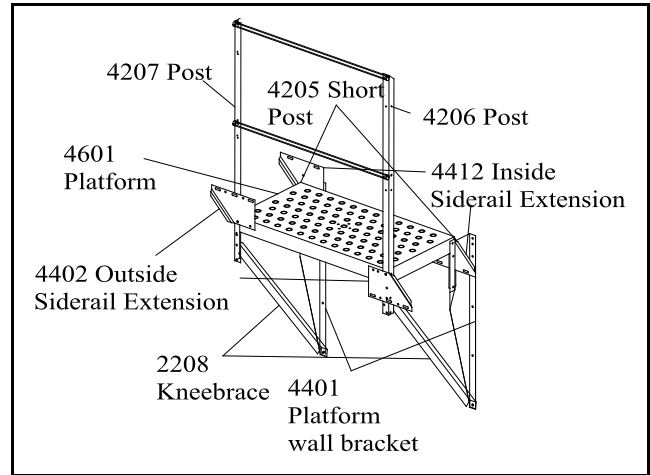


Figure 12 36000 Intermediate Platform

The 36000 Intermediate Platform will add one step to the rise of the stairs. The section above or below will need to be one step shorter. As on a 44" sheet bin a 13200 Stair Section will be used either above or below the Intermediate Platform. On a 32" sheet a 12100 Stair Section will be used.

Table of Figures

Figure 1	44" Sidewall Platform at 5 ½"	2
Figure 2	44" Sidewall Platform at 16"	2
Figure 3	32" Sidewall Platform at 5 ½"	3
Figure 4	32" Sidewall Platform at 16"	3
Figure 5	35000 Platform	3
Figure 6	12100 Stair Section	4
Figure 7	13200 Stair Section	4
Figure 8	14400 Stair Section	4
Figure 9	Inside Siderail Overlap	5
Figure 10	Outside Siderail Overlap	5
Figure 11	Knee Brace Bracket	5
Figure 12	36000 Intermediate Platform	6

Chief 42" Instructions

Unpacking Stair Packages

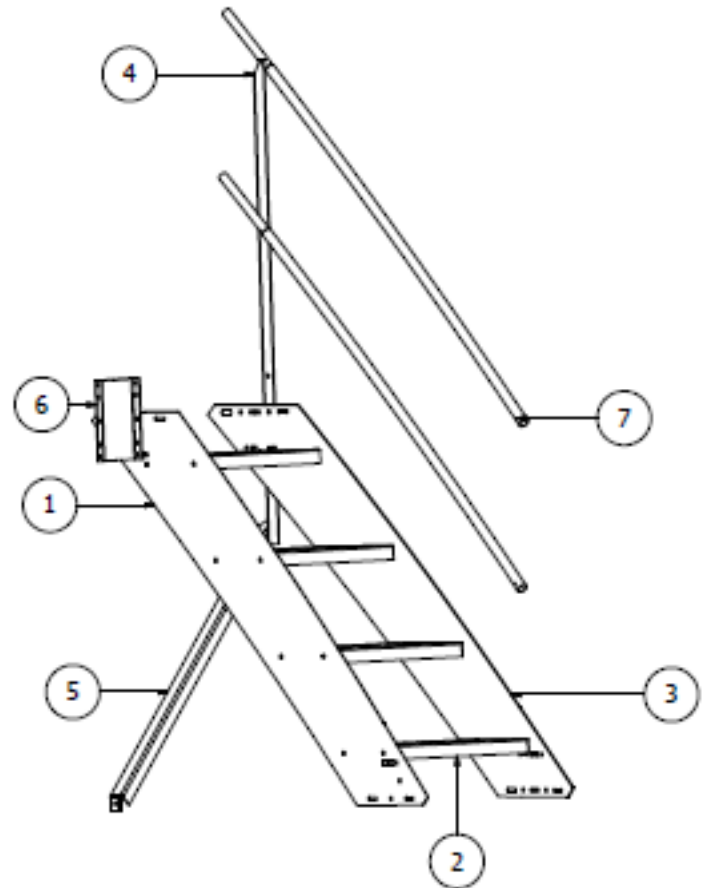
Bin packs will come packaged as follows:

1-Platform 35000

1-13200 Stair Section or 12100 Stair Section

_14200 Stair Sections determined by number of rings

ITEM	QTY	PART NUMBER	DESCRIPTION
1	1	2442	42 inside siderail
2	4	2602	9" X 20" Step
3	1	2452	14200 Outside Siderail
4	1	2206	Baluster Post
5	1	2217	42 Knee Brace
6	1	2205	Stair Wall Bracket
7	2	2883	42 handrail
8	1	Hardware	Fastener Pack
9	1	Instructions	In Platform Package



Read and follow directions carefully for installation.

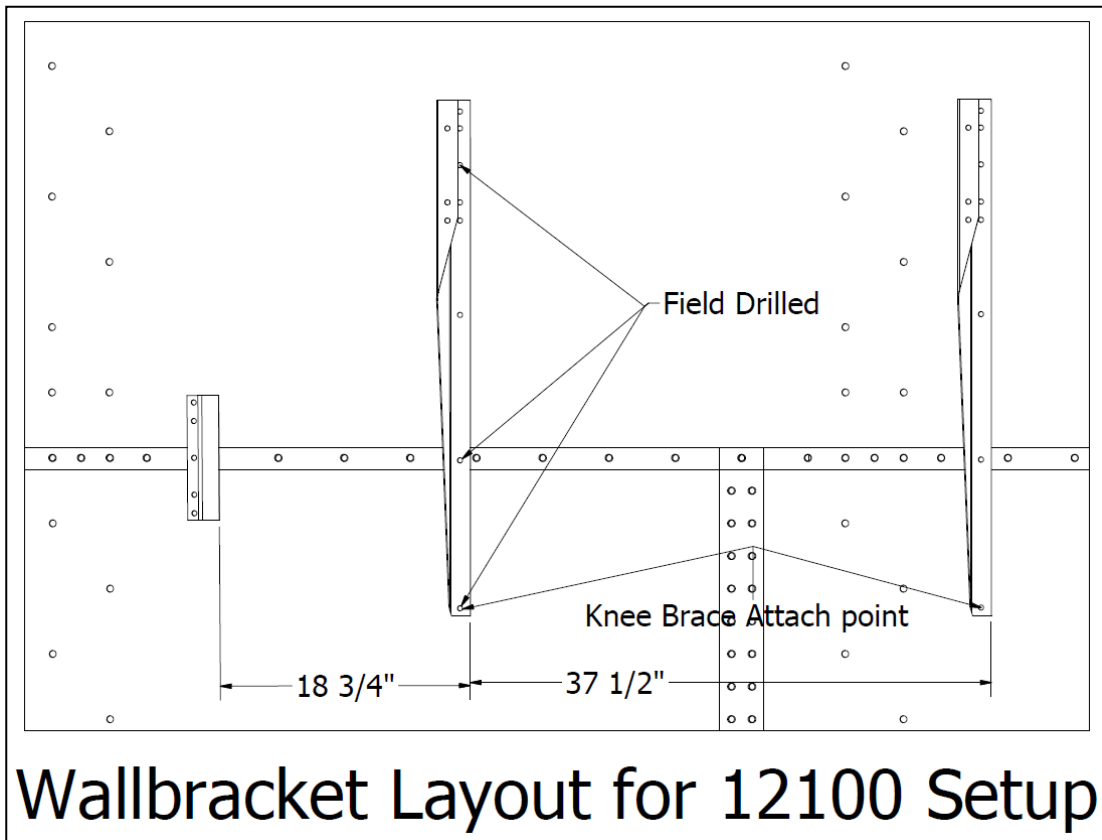
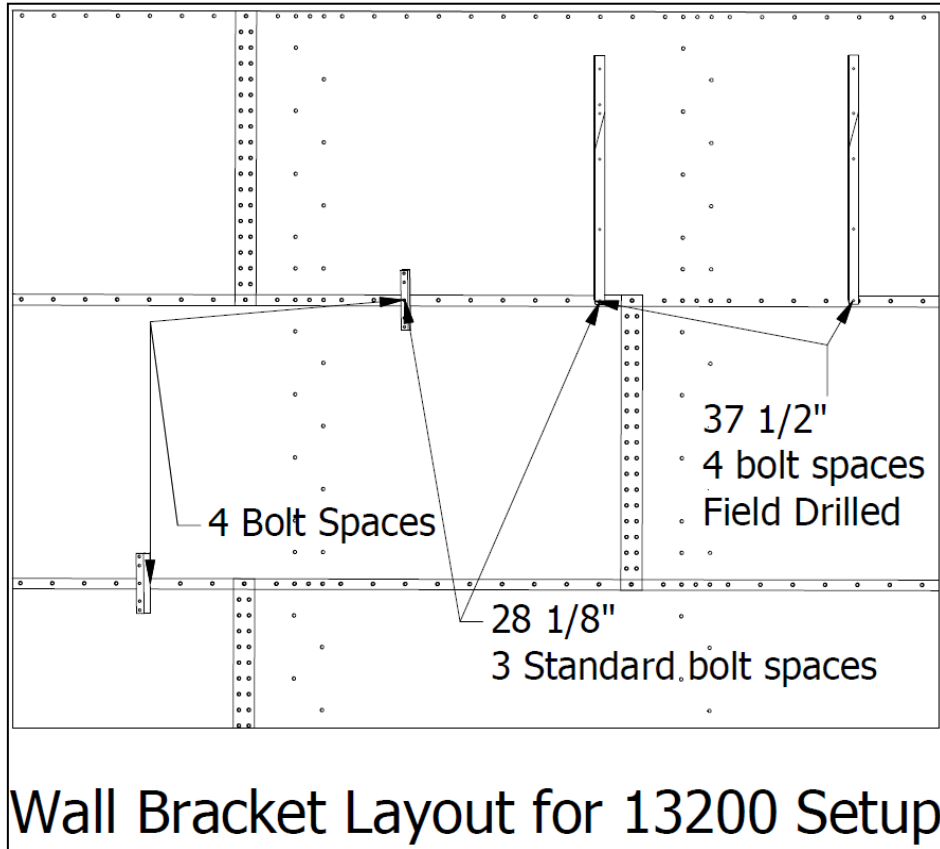
We are not responsible for damage or accidents caused by improper installation.

Our stairs are designed to hold one person and weight one person can carry per set.

14200 Sidewall Stairs Preparations

1. Establish platform location on the bin wall. This is done by deciding where the platform will be located in relation to the manhole and the roof ladder.
2. The 35000 platform travels 37 ½ inches around the bin and needs to be field drilled. The 35000 platform travels 4 single punch bolt spaces.
3. The 12100 stair section travels 18 ¾ inches, or 2 single punch bolt spaces around the bin and connects to the platform using the Siderail Extensions (4412, 4402)
4. The 13200 stair section travels 28 1/8 inches, or 2 single punch bolt spaces around the bin and connects to the platform using the Siderail Extensions (4412, 4402)
5. The 14200 Stair Section travels 4 single punch bolt spaces around the bin.

Platform Wall Brackets

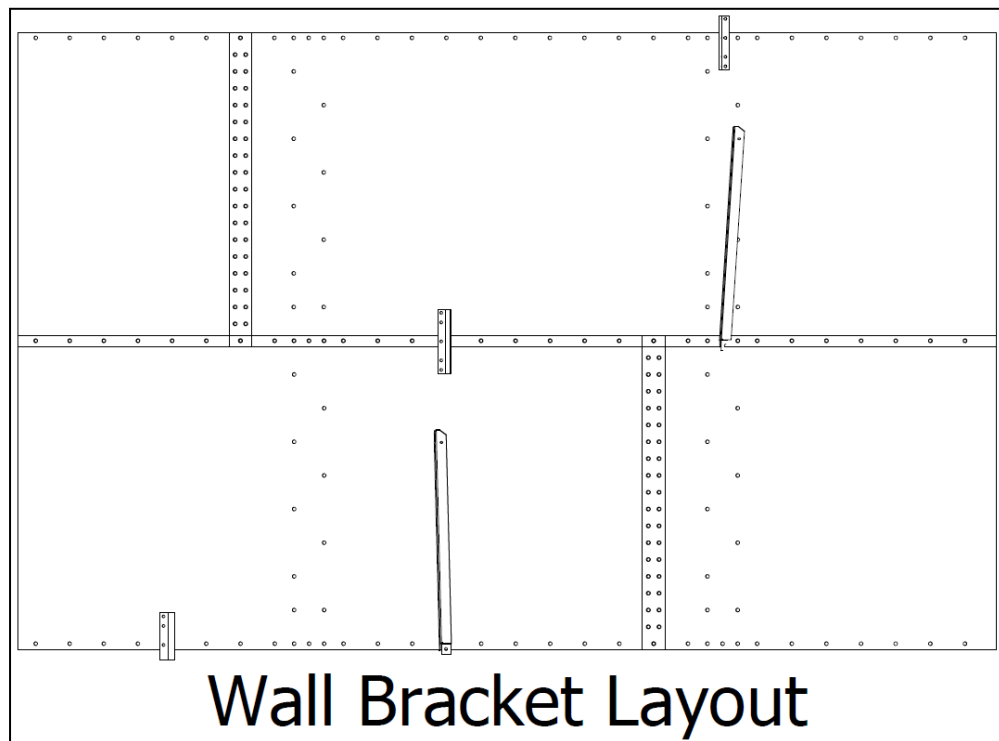


Attaching wall brackets

1. It is preferable to install the wall brackets from the top down, as this point is fixed by the position of the roof ladder and manhole.
2. Beginning at the top ring of the bin, establish approximately where the platform will be positioned in relation to the roof ladder or roof stairs, and the manhole. Once this is determined place the first 2205 stair wall bracket two standard bolt spaces (approx 18 $\frac{3}{4}$ ") for 12100 applications, or 3 standard bolt spaces (approx 28 $\frac{1}{8}$ inches) for 13200 applications, away from the desired edge of the platform in the direction of the stair run on the bottom seam of the top ring. See Platform Wall bracket Figure for details

NOTE: 2205 wall bracket must go in an existing bolt hole to maintain alignment of the remaining stairs sections to be installed. Any holes to be drilled need to be drilled for the platform wall brackets. See Platform Layout Figure

3. Directly below the first 2205 wall bracket at the next horizontal bolt seam, remove the bin bolt and attach the 2217 knee brace through the hole in the bent tab and position it upright as shown in the wall bracket layout figure.
4. On that same horizontal seam count 4 standard bolt spaces approximately 38" in the direction of the stair run and repeat the process of the wall bracket and knee brace attachment. Continue this process down the bin.



5. For more details please consult the sidewall stair installation instruction manual.