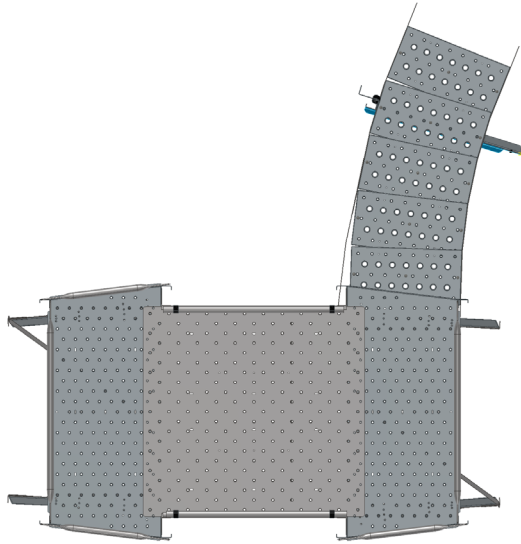




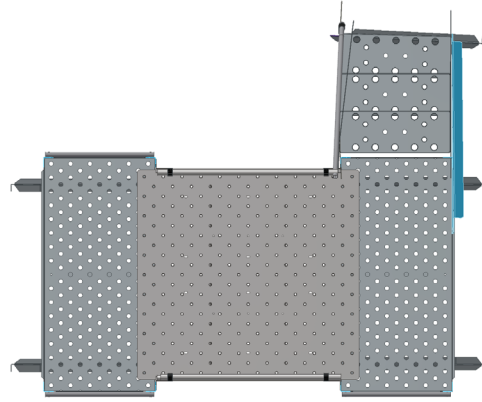
- Allows the joining of 2 bins
- Bridge is 46" wide with integrated kickboards providing a 44" walkway
- 1 1/2" tube handrail connected with a vinyl coated P clamp for a secure and stable grip
- Connects securely to the platforms of two bins to allow for one large access area
- Can facilitate ascending or descending stair access or additional platforms on either bin

# C-Series Crossover Platform

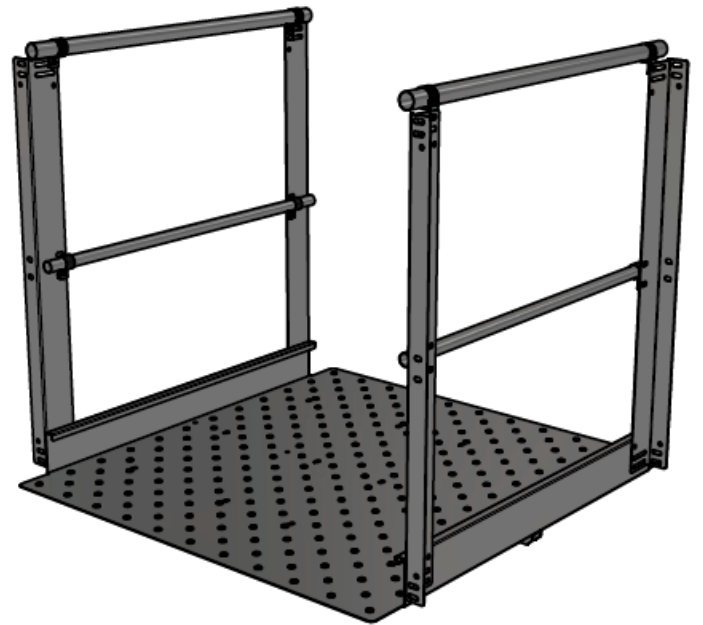
- Can be used on C-Series and Easy Step Sidewall Stair Platforms
- C-Series MAXIMUM bin wall to bin wall clearance is 8' 10"
- Easy Step MAXIMUM bin wall to bin wall clearance is 8' 6"



C-Series (8' 10" between bins)



Easy Step (8' 6" between bins)



Greene Galvanized Stairs  
41774 Main Street; PO Box 191  
East Lynn, IL 60932  
Phone: 217-375-4244 Fax: 217-375-4245  
Web: [www.greenestairs.com](http://www.greenestairs.com)

**GREENE**  
GALVANIZED STAIRS