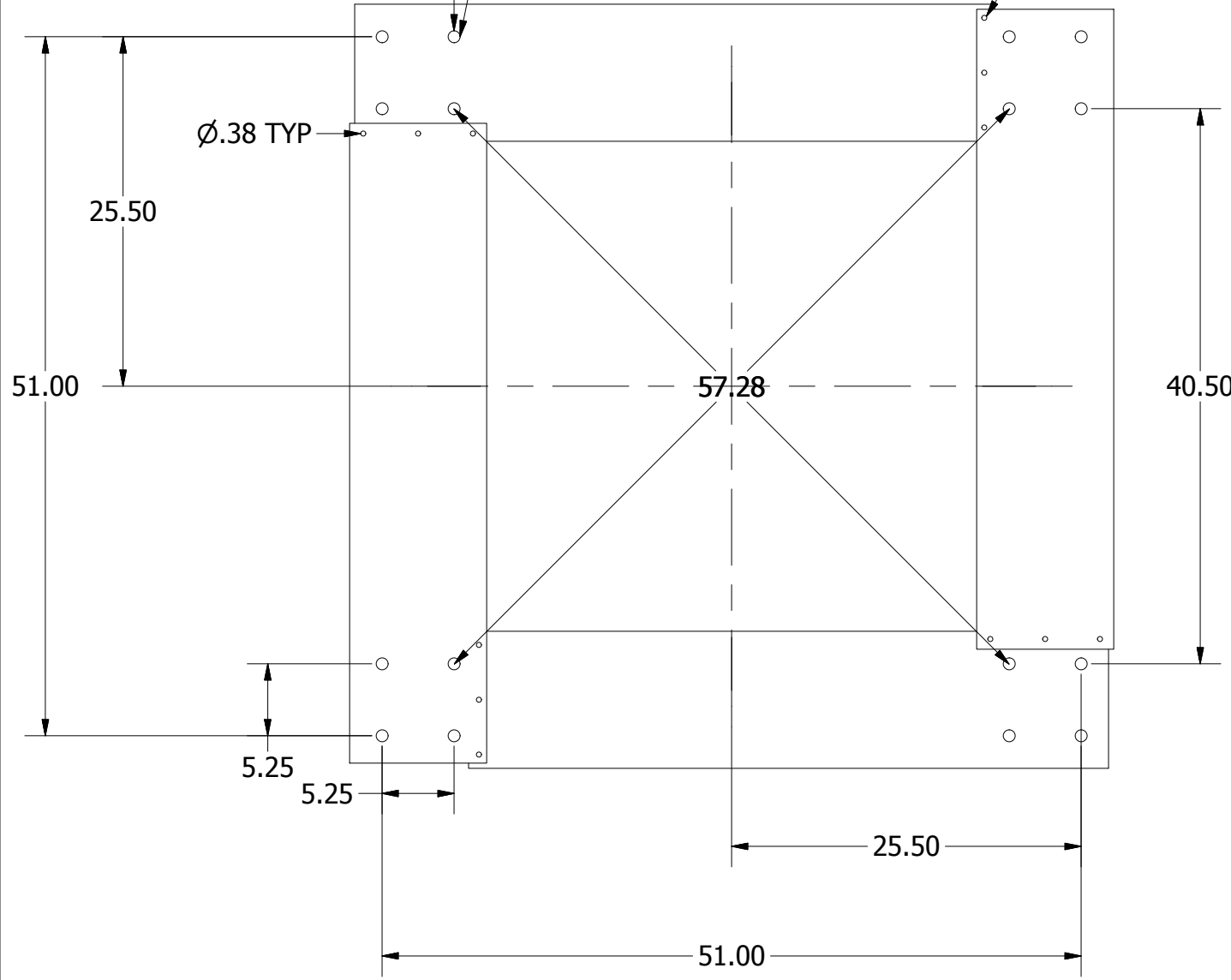


3/4-10 x 36" Gr 8 AllThread or Equivalent
Nut and Washer on Bottom 30" in concrete

5/16-18 x 1" FLGCS Bolt and FLGWZ Whiz Nut TYP

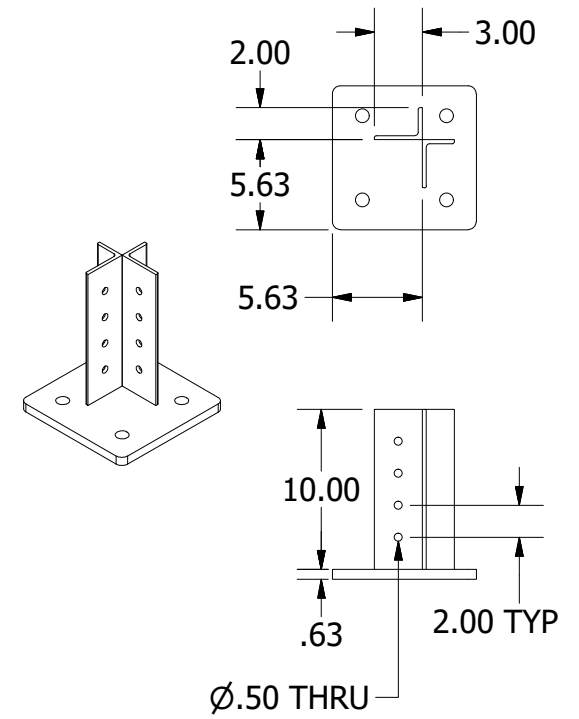
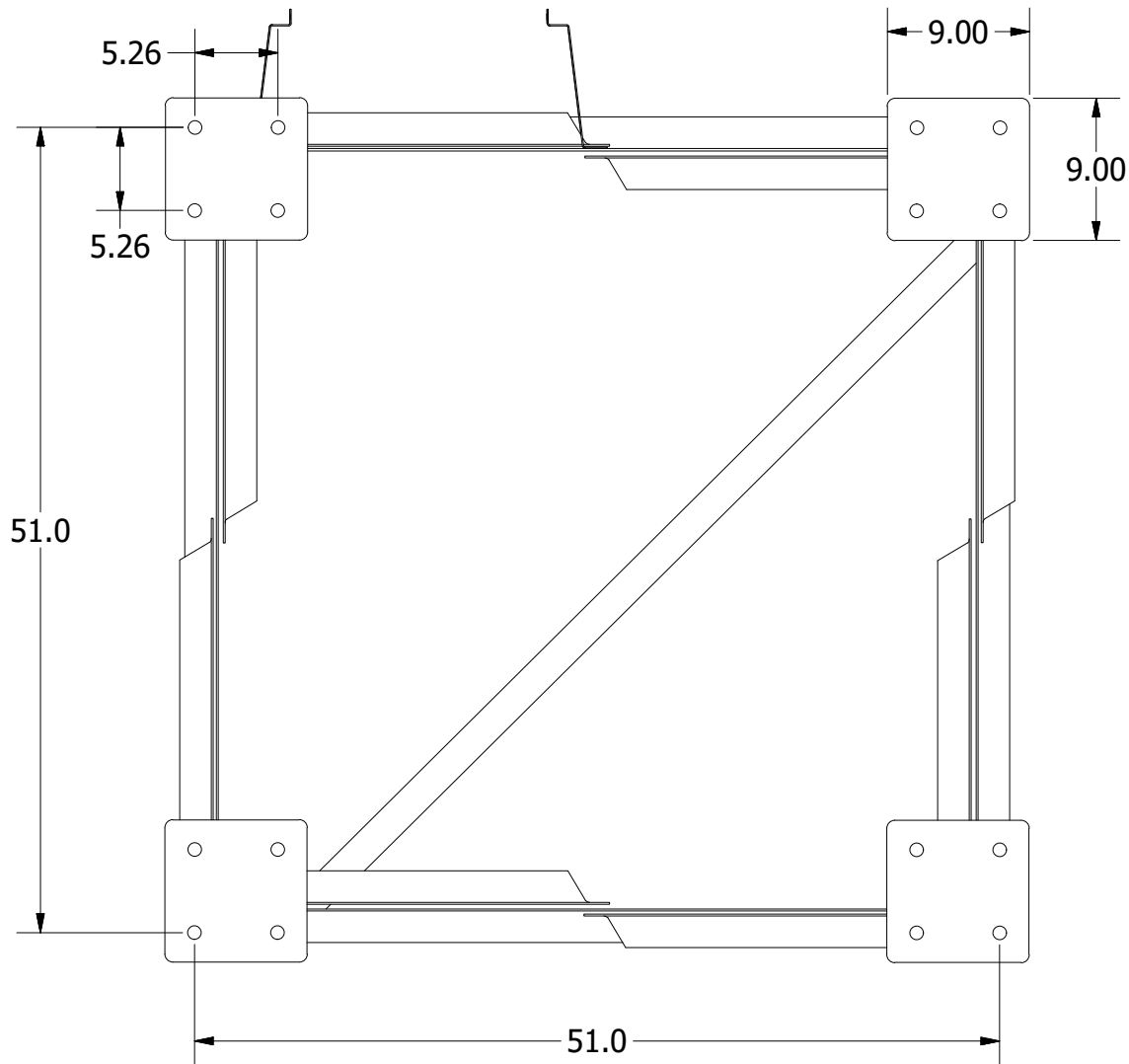
Ø.88 TYP

Ø.38 TYP



GREENE
GALVANIZED STAIRS
www.greenebinstairs.com
East Lynn IL 60932
217-375-4244 / 217-375-4245 FAX

DRAWN Mike Adams		9/5/2013	
TITLE			
SIZE A	DWG NO Template assy		
DO NOT SCALE	REV	SHEET 1 OF 3	



GREENE
 GALVANIZED STAIRS
 www.greenebinstairs.com
 East Lynn IL 60932
 217-375-4244 / 217-375-4245 FAX

DRAWN Mike Adams		DATE 9/5/2013	
TITLE			
SIZE A	DWG NO Template assy		
DO NOT SCALE	REV	SHEET 2 OF 3	