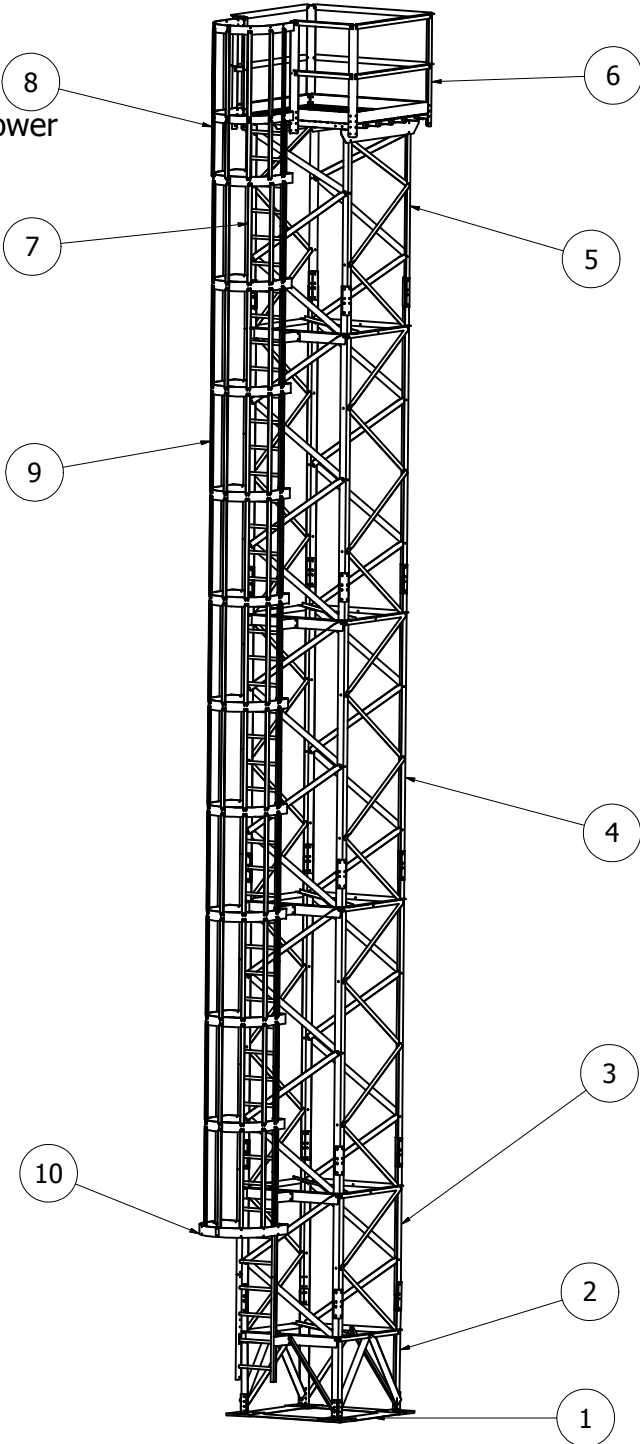


64451 45' Loop Tower



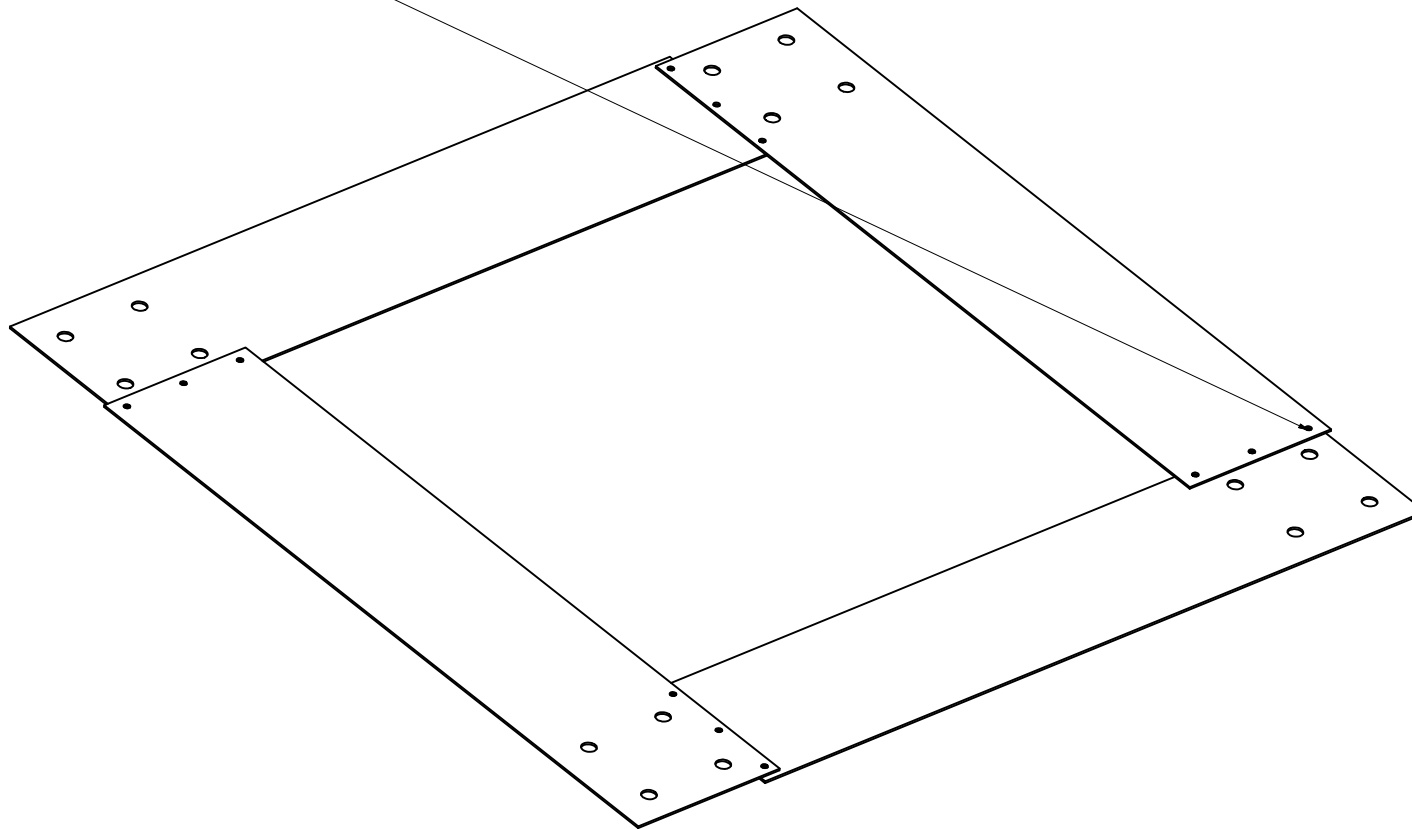
Parts List			
ITEM	QTY	PART NUMBER	DESCRIPTION
1	1	Template assy	
2	1	44404 base section	
3	1	44404 5 ft int section	
4	3	44310 10 ft int section	
5	1	44306 6 ft top section	
6	1	64550 5 x 5 top deck assy	
7	13	Sukup ladder	
8	1	SP-C003 Safety cage Top	
9	10	SP-C002 Safety cage main	
10	1	SP-C001 Safety cage flare	

DRAWN Rex A Greene 4/2/2007		Greene Welding and Hardware Inc.	
		Greene Galvanized Stairs	
		TITLE 217/375/4244 www.greenebinstairs.com	
MFG		SIZE C	DWG NO 64451 45' Loop tower assy
APPROVED			REV
		SHEET 1 OF 12	

Template Assy

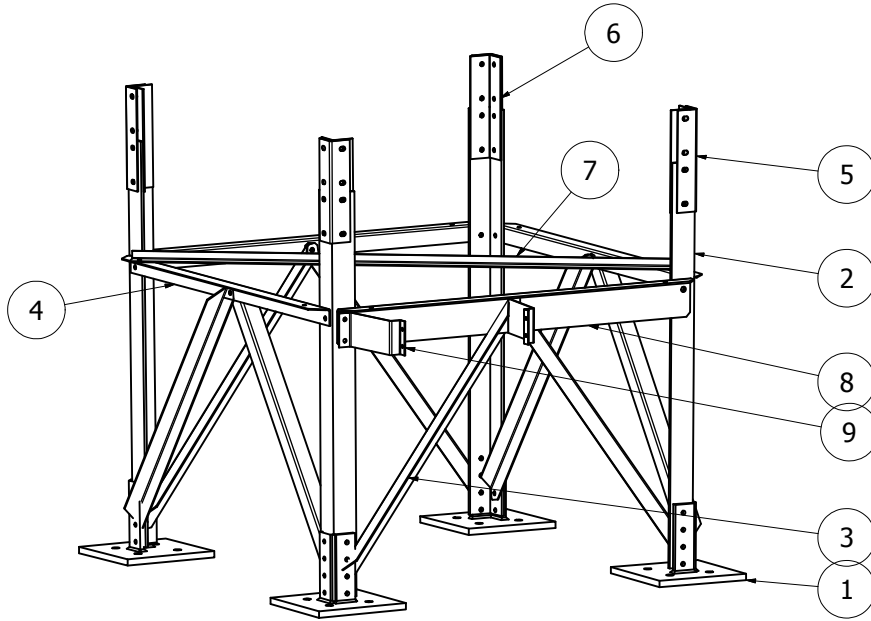
Parts List			
ITEM	QTY	PART NUMBER	DESCRIPTION
1	4	Anchor template 48	47x10x12ga
2	14	3/8" x 3/4 cap screws	
3	14	3/8 nuts	

1



DRAWN Rex A Greene		Greene Welding and Hardware Inc.	
DATE 4/2/2007		Greene Galvanized Stairs	
		TITLE 217/375/4244	
		www.greenebinstairs.com	
MFG			
APPROVED			
		SIZE C	DWG NO 64451 45' Loop tower assy
		REV	
		SHEET 2 OF 12	

44404 1/4 base section

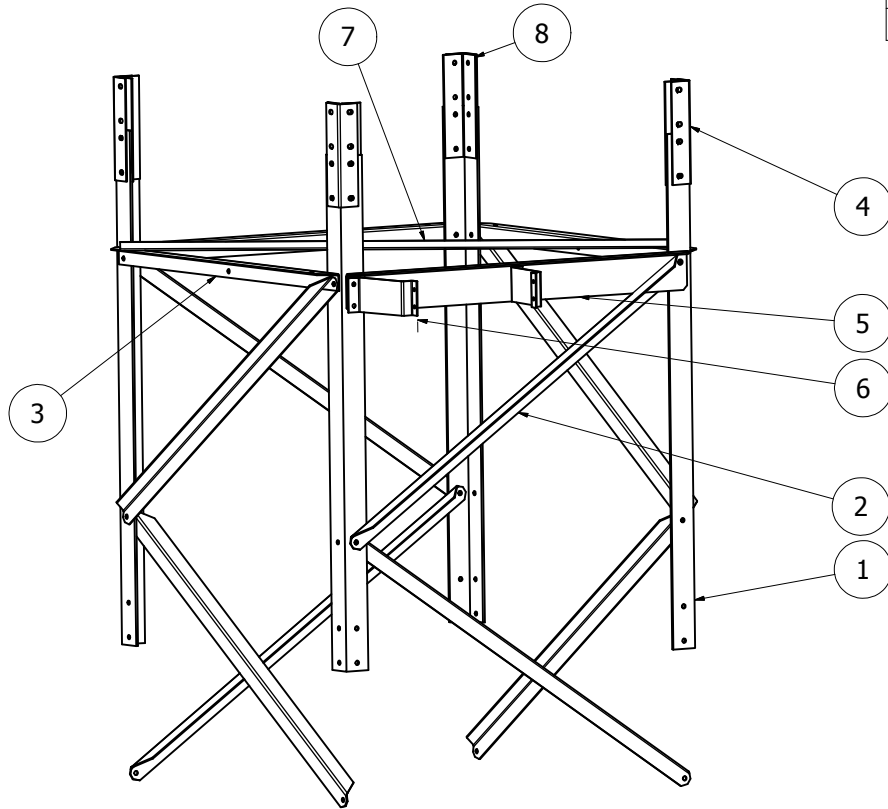


Parts List			
ITEM	QTY	PART NUMBER	STOCK NUMBER
1	4	66-B001 Anchor assy	
2	4	64-L004 Base leg 1/4	
3	8	64-D001 short base diag	39.25 x 2 x 2 x 8 ga L
4	3	64-C001 Cross angle	47 x 2 x 2 x 8 ga L
8	1	64-LC002 Ladder Cross bar	46.75 x 4.5 x 2 x 8 ga L
5	4	SS2008 Siderail Splice	12 x 2.5 x 2.5 x 8 ga L
6	8	SS018 Siderail splice 8 ga	12 x 2 x 8 ga
7	1	64-T001 tie brace	65.5 x 2 x 1 x 8 ga L
9	2	64-LB003 Ladder Bracket	9 x 1.5 x 12 ga LB
10	65	7/16 x 1 1/2 cap screw	
11	65	7/16 whiz nut	
12	4	5/16 x 3/4 cap screw	
13	4	5/16 Whiz nut	

DRAWN Rex A Greene 4/2/2007		Greene Welding and Hardware Inc.	
		Greene Galvanized Stairs	
		TITLE 217/375/4244 www.greenebinstairs.com	
MFG			
APPROVED			
SIZE C	DWG NO 64451 45' Loop tower assy	REV	
SHEET 3 OF 12			

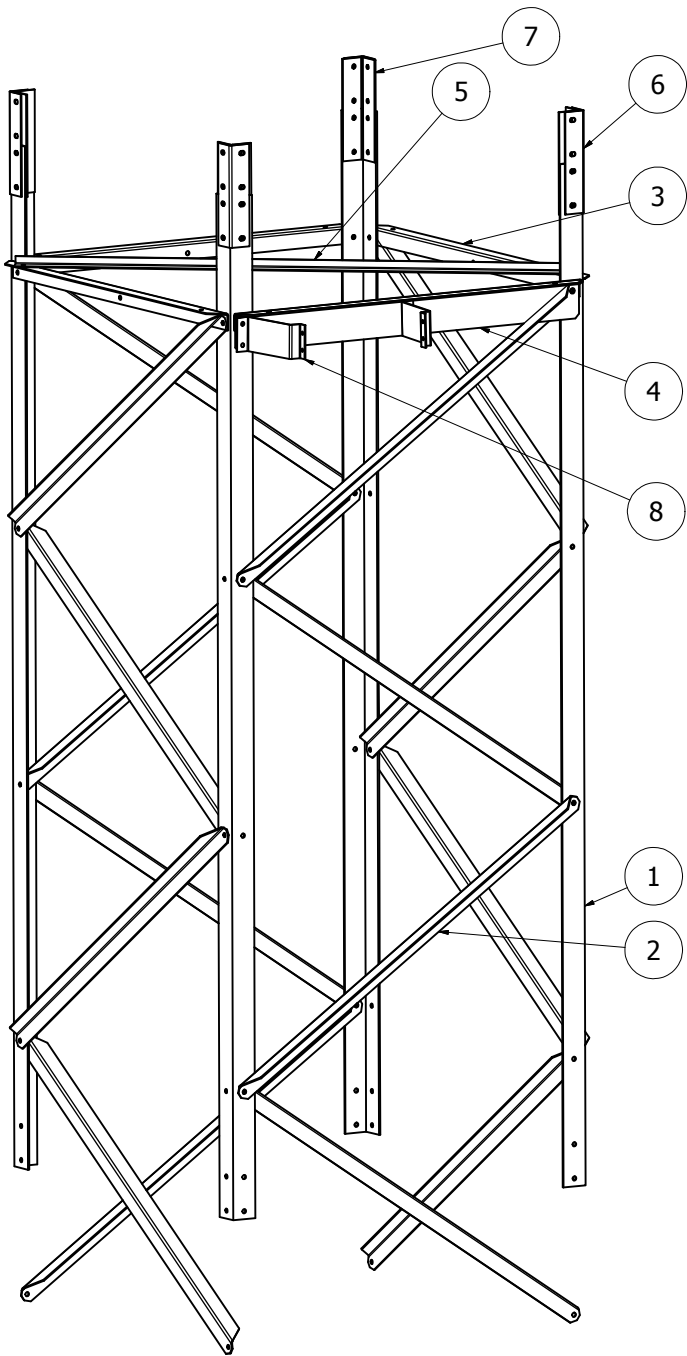
44404 5 ft 1/4 int section

Parts List			
ITEM	QT	PART NUMBER	STOCK NUMBER
1	4	64-L006 60 1-4 leg	
2	8	64-D007 diaogal	55.5 x 2 x 2 x 8 ga L
3	3	64-C001 cross angle	47 x 2 x 2 x 8 ga L
5	1	64-LC002 Ladder Cross bar	46.75 x 4.5 x 2 x 8 ga L
7	1	64-T001 tie brace	65.5 x 2 x 1 x 8 ga L
4	4	SS2008 Siderail Splice	12 x 2.5 x 2.5 x 8 ga L
8	8	SS0018 Siderail splice 8 ga	12 x 2 x 8 ga
6	2	64-LB003 Ladder bracket	9 x 1.5 x 12 ga LB
9	44	7/16 x 1 1/2 Cap screw	
10	44	7/16 whiz nut	
11	4	5/16 x 3/4 cap screw	
12	4	5/15 whiz nut	



DRAWN Rex A Greene 4/2/2007		Greene Welding and Hardware Inc.	
		Greene Galvanized Stairs	
		TITLE 217/375/4244 www.greenebinstairs.com	
MFG			
APPROVED			
	SIZE C	DWG NO 64451 45' Loop tower assy	REV
		SHEET 4 OF 12	

44310 10 ft 3/16 int section

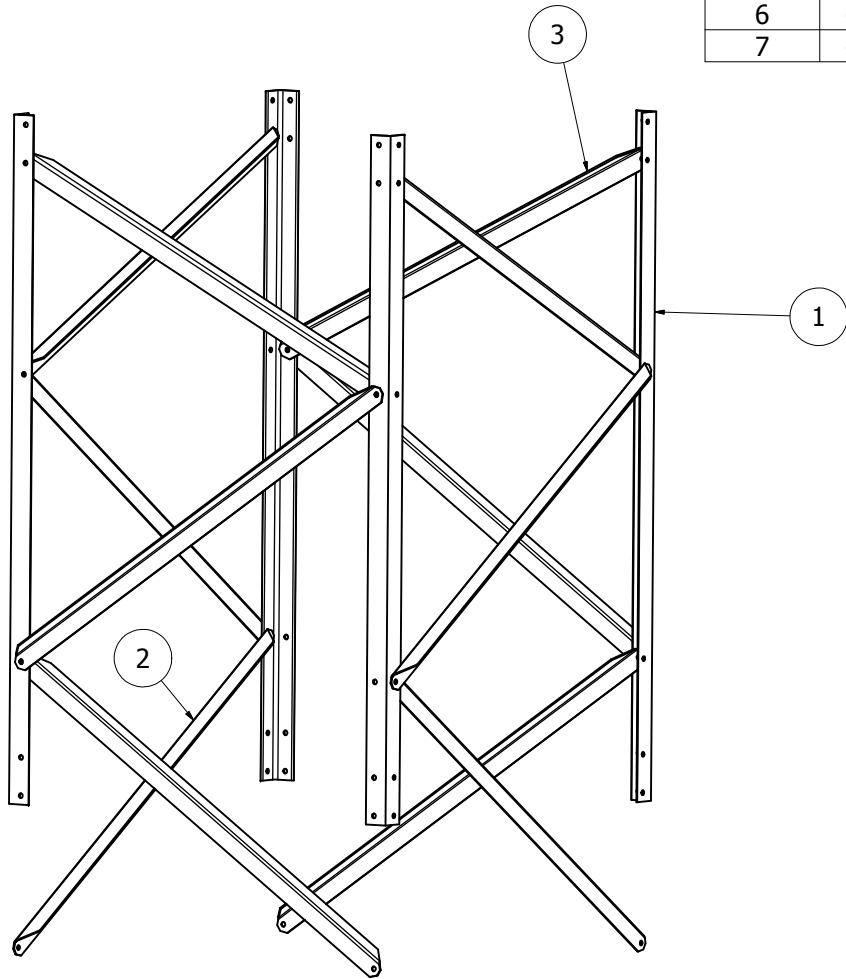


Parts List			
ITE	QTY	PART NUMBER	STOCK NUMBER
1	4	64-L005 120 3-16 leg	120 x 3 x 3 x 3/16 I
2	16	64-D007 diagonal	55.5 x 2 x 2 x 8 ga L
3	3	64-C001 Cross Angle	47 x 2 x 2 x 8 ga L
4	1	64-LC002 Ladder Cross bar	46.75 x 4.5 x 2 x 8 ga L
5	1	64-T001 tie brace	65.5 x 2 x 1 x 8 ga L
6	4	SS2008 Siderail Splice	12 x 2.5 x 2.5 x 8 ga L
7	8	SS0018 Siderail splice 8 ga	12 x 2 x 8 ga
8	2	64-LB003 Ladder Bracket	9 x 1.5 x 12 ga LB
9	65	7/16 x 1 1/2 cap screw	
10	65	7/16 7/16 whiz nut	
11	4	5/16 x 3/4 cap screws	
12	4	5/16 whiz nuts	

DRAWN Rex A Greene 4/2/2007		Greene Welding and Hardware Inc.	
		Greene Galvanized Stairs	
		TITLE 217/375/4244 www.greenebinstairs.com	
MFG			
APPROVED			
SIZE C	DWG NO 64451 45' Loop tower assy	REV	
SHEET 5 OF 12			

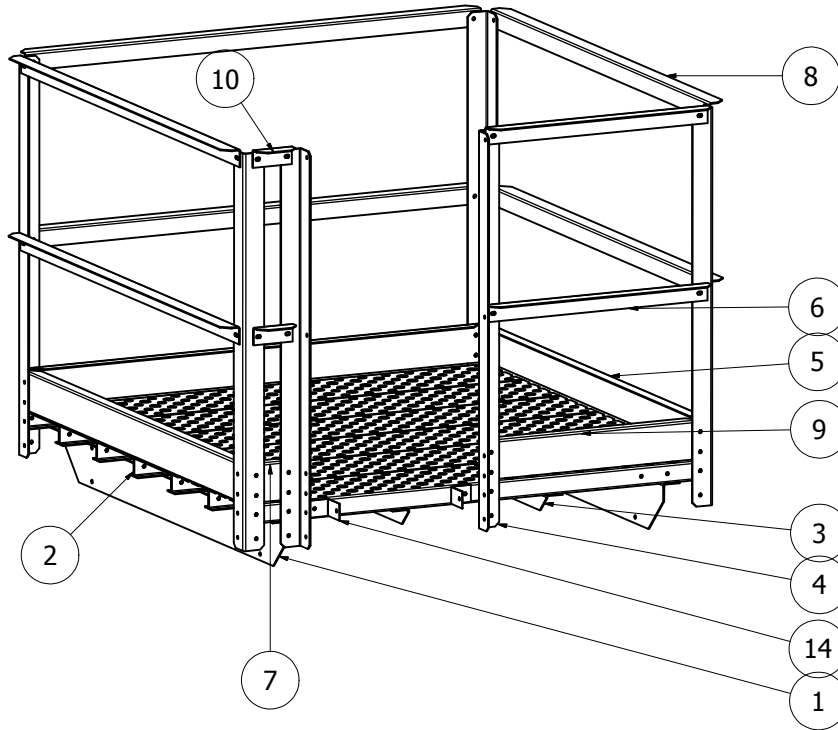
44306 6 ft top section

Parts List			
ITEM	QTY	PART NUMBER	STOCK NUMBER
1	4	64-L010 short top light leg	72 x 2.5 x 2.5 x 3/16 L
2	8	64-D007 diagonal	55.5 x 2 x 2 x 8 ga L
3	4	64-D009 top diagonal	52 x 2 x 2 x 8 ga L
4	26	7/16 x 1 1/2 cs	
5	26	7/16 whiz nut	
6	4	5/16 x 3/4 cs	
7	4	5/16 whiz nut	



DRAWN Rex A Greene 4/2/2007		Greene Welding and Hardware Inc.	
		Greene Galvanized Stairs	
		TITLE 217/375/4244 www.greenebinstairs.com	
MFG			
APPROVED			
SIZE C	DWG NO 64451 45' Loop tower assy	REV	
SHEET 6 OF 12			

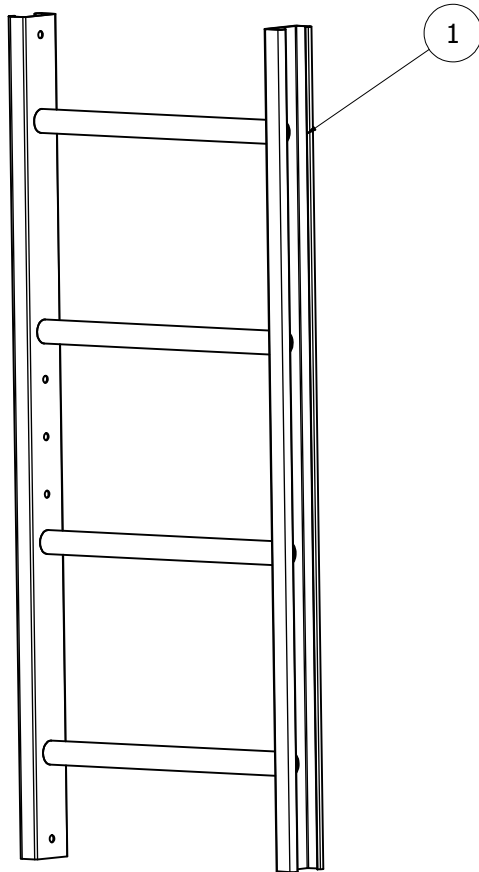
64550 5 x 5 top deck assy



Parts List			
ITEM	QTY	PART NUMBER	DESCRIPTION
1	2	64-TD0001 Mount Flange	60 x 6 x 2 x 8 ga
2	6	64-TD501 5ft deck	59.5 x 10 deck
3	2	64-TD009 Deck support	60 x 2 x 2 x 12 ga
4	6	64-TD502 Plat Post	47 x 2.5 x 2.5 x 10 ga
5	3	64-TD503 5' Kickboard	59 x 4.5 x 1.5 x 12 ga
6	2	64-TD506 Mid Handrail	29 x 4.5 x 1.5 x 12 ga
7	1	64-TD508 Short Kickboard	5.5 x 4.5 x 1.5 x 12 ga
8	6	64-TD005 5' handrail	58.5 x 2 x 2 x 12 ga
9	1	64-TD504 Mid Kickboard	28.5 x 2 x 2 x 12 ga
10	2	64-TD507 Short Handrail	5 x 2 x 2 x 12 ga
14	2	64-TD003 ladder bucket	
11	125	5/16 x 3/4 cap screw	
12	125	5/16 whiz nut	
13	60	5/16 Flat washer	

DRAWN Rex A Greene		Greene Welding and Hardware Inc.	
DATE 4/2/2007		Greene Galvanized Stairs	
MFG		TITLE 217/375/4244	
APPROVED		www.greenebinstairs.com	
SIZE C	DWG NO 64451 45' Loop tower assy	REV	
SHEET 7 OF 12			

44" Sukup ladder section

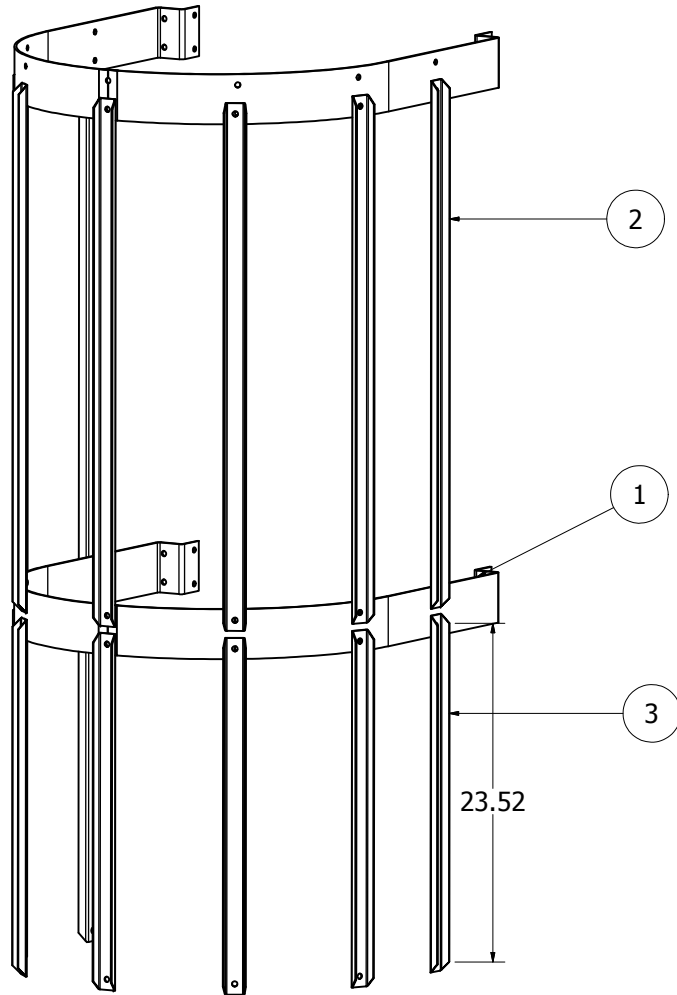


Parts List			
ITEM	QTY	PART NUMBER	DESCRIPTION
1	1	Sukup 44 ladder section	
2	2	sukup rail splice	
3	8	5/16 x 3/4 cap screw	
4	8	5/16 whiz nuts	

DRAWN <b>Rex A Greene</b> 4/2/2007		Greene Welding and Hardware Inc.	
		<b>Greene Galvanized Stairs</b>	
		TITLE <b>217/375/4244</b>	
MFG		www.greenebinstairs.com	
APPROVED		SIZE C	DWG NO <b>64451 45' Loop tower assy</b>
		REV	
		SHEET <b>8</b> OF <b>12</b>	



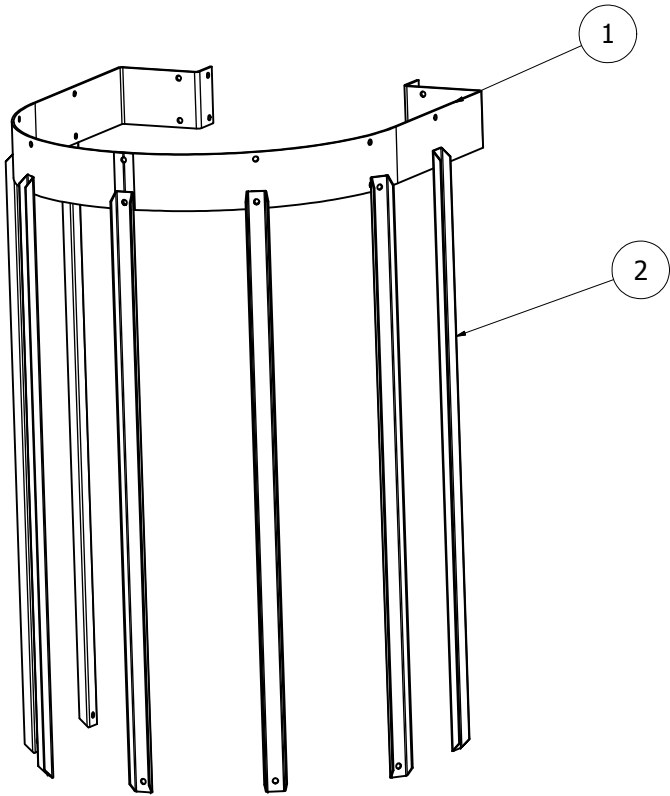
SP-C003 Safety cage top section



Parts List			
ITEM	QTY	PART NUMBER	DESCRIPTION
1	4	SPC-002 Top hoop	
2	7	SPC-012 top upright	37 x 1 1/4 channel
3	7	SPC-013 mid upright	25.75 x 1 1/4 channel
4	17	5/16 x 3/4 cap screw	
5	17	5/16 whiz nut	

DRAWN Rex A Greene 4/2/2007		Greene Welding and Hardware Inc.	
		Greene Galvanized Stairs	
		TITLE 217/375/4244 www.greenebinstairs.com	
MFG			
APPROVED			
SIZE C	DWG NO 64451 45' Loop tower assy	REV	
		SHEET 9 OF 12	

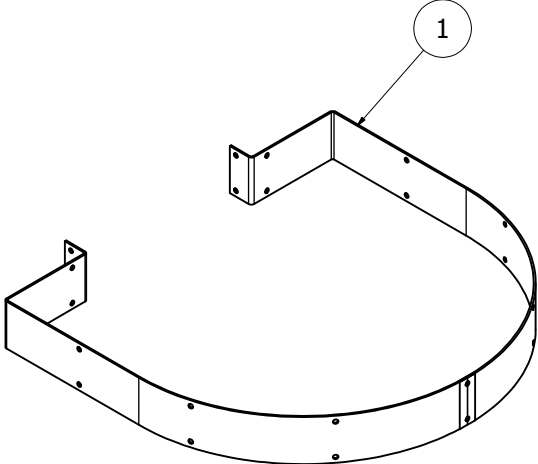
SP-C002 Safety cage main section



Parts List			
ITEM	QTY	PART NUMBER	DESCRIPTION
1	2	SPC-001	
2	7	SPC-011 main upright	43 3/4 x 1 1/4 channel
3	18	5/16 x 3/4 cap screw	
4	18	5/16 whiz nut	

DRAWN Rex A Greene		DATE 4/2/2007		Greene Welding and Hardware Inc.	
				Greene Galvanized Stairs	
				TITLE 217/375/4244	
				www.greenebinstairs.com	
MFG					
APPROVED					
		SIZE C	DWG NO 64451 45' Loop tower assy	REV	
				SHEET 10 OF 12	

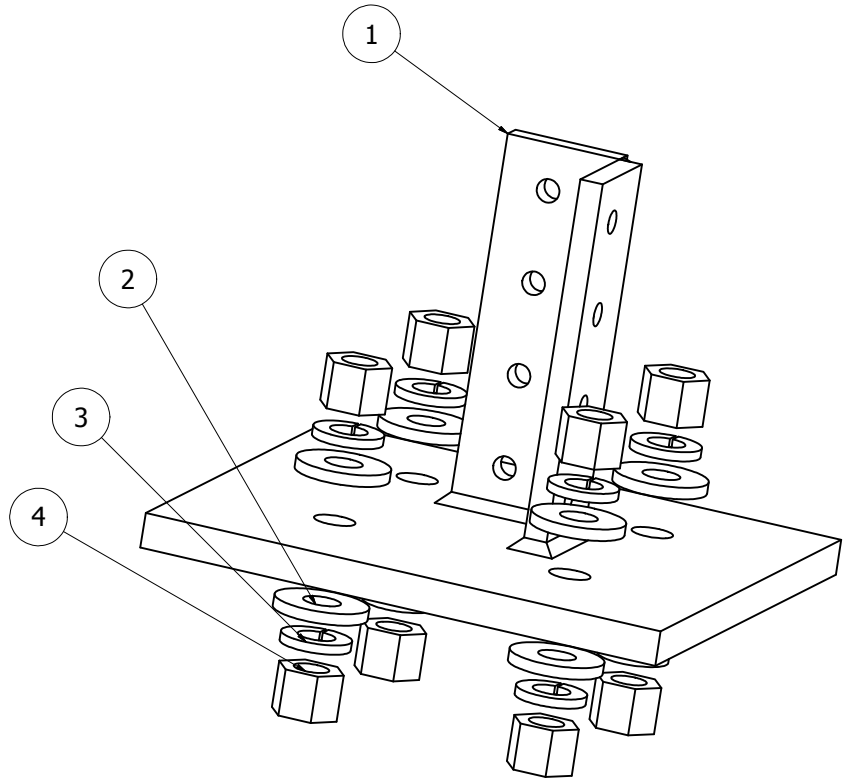
SP-C001 Safety cage flare



Parts List			
ITEM	QTY	PART NUMBER	DESCRIPTION
1	2	SPC-003 flare hoop	
2	9	5/16 x 3/4 cap screw	
3	9	5/16 whiz nut	

DRAWN Rex A Greene		4/2/2007		Greene Welding and Hardware Inc.	
				Greene Galvanized Stairs	
				TITLE 217/375/4244	
				www.greenebinstairs.com	
MFG					
APPROVED					
		SIZE C	DWG NO 64451 45' Loop tower assy	REV	
				SHEET 11 OF 12	

Anchoring mount



Parts List			
ITEM	QTY	PART NUMBER	DESCRIPTION
1	1	64-AB001 Anchor base	
2	8	3-4 Heavy washer	
3	8	3-4 lock washer	
4	8	3-4 nut	

DRAWN Rex A Greene 4/2/2007		Greene Welding and Hardware Inc.	
		Greene Galvanized Stairs	
		TITLE 217/375/4244 www.greenebinstairs.com	
MFG			
APPROVED			
		SIZE C	DWG NO 64451 45' Loop tower assy
		REV	
		SHEET 12 OF 12	