

4

3

2

1

D

D

C

C

B

B

A

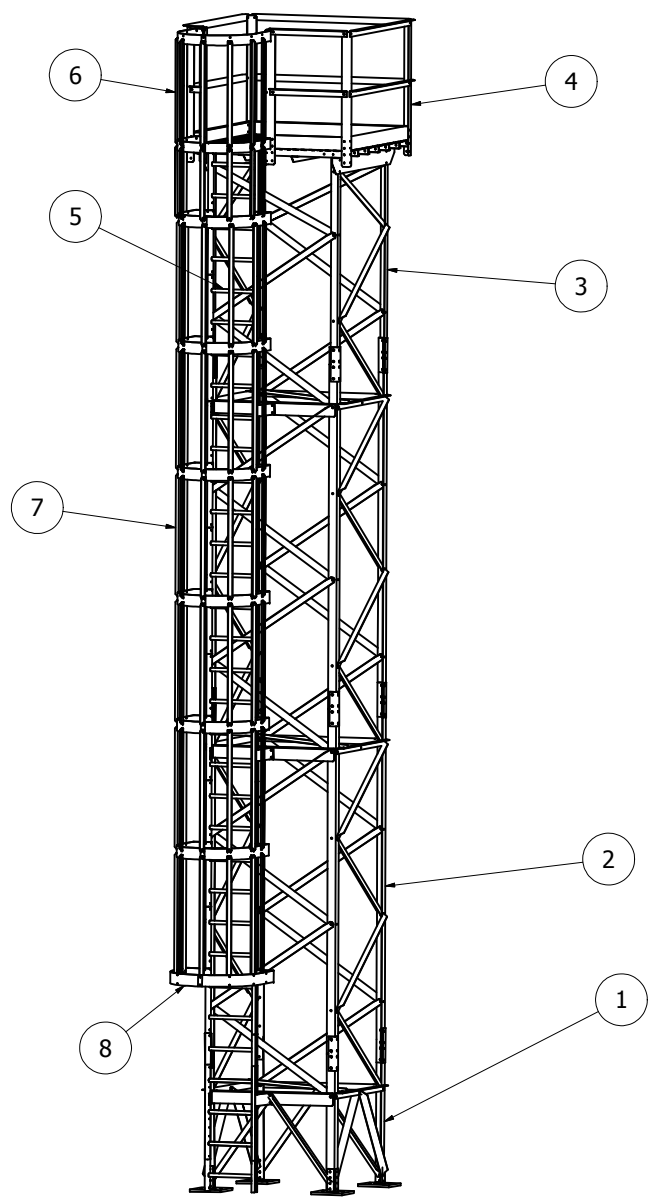
A

4

3

2

1



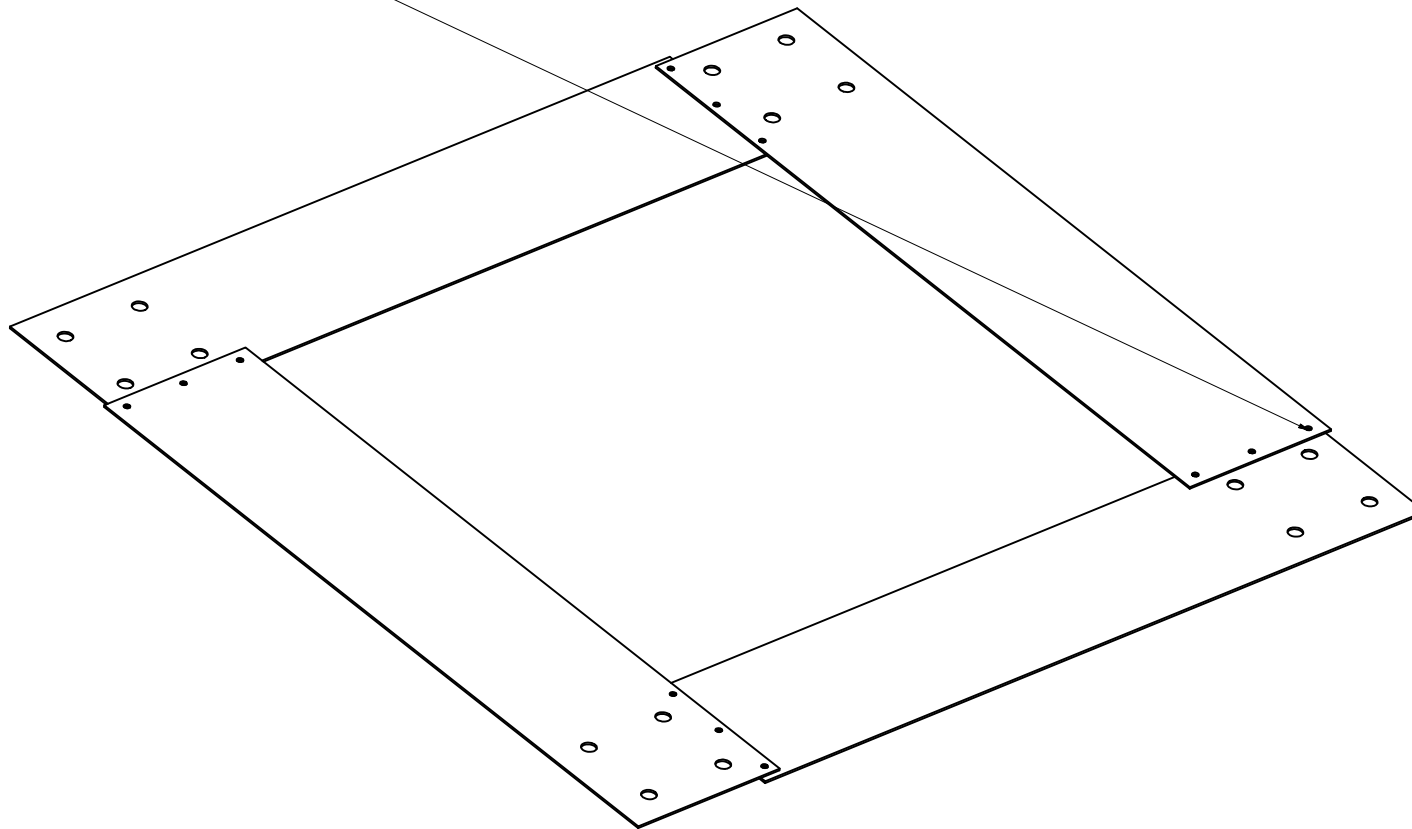
Parts List			
ITEM	QTY	PART NUMBER	DESCRIPTION
1	1	44404	base section
2	2	44310	10 ft int section
3	1	44306	6 ft top section
4	1	64550	5 x 5 top deck assy
5	9		Sukup ladder
6	1	SP-C003	Safety cage Top
7	6	SP-C002	Safety cage main
8	1	SP-C001	Safety cage flare

DRAWN Rex A Greene		8/12/2008		Greene Welding and Hardware Inc. Greene Galvanized Stairs 217/375/4244 www.greenebinstairs.com	
MFG				TITLE	
APPROVED				DWG NO	
		C		64301 30' loop tower	
				REV	
				SHEET 1 OF 11	

Template Assy

Parts List			
ITEM	QTY	PART NUMBER	DESCRIPTION
1	4	Anchor template 48	47x10x12ga
2	14	3/8" x 3/4 cap screws	
3	14	3/8 nuts	

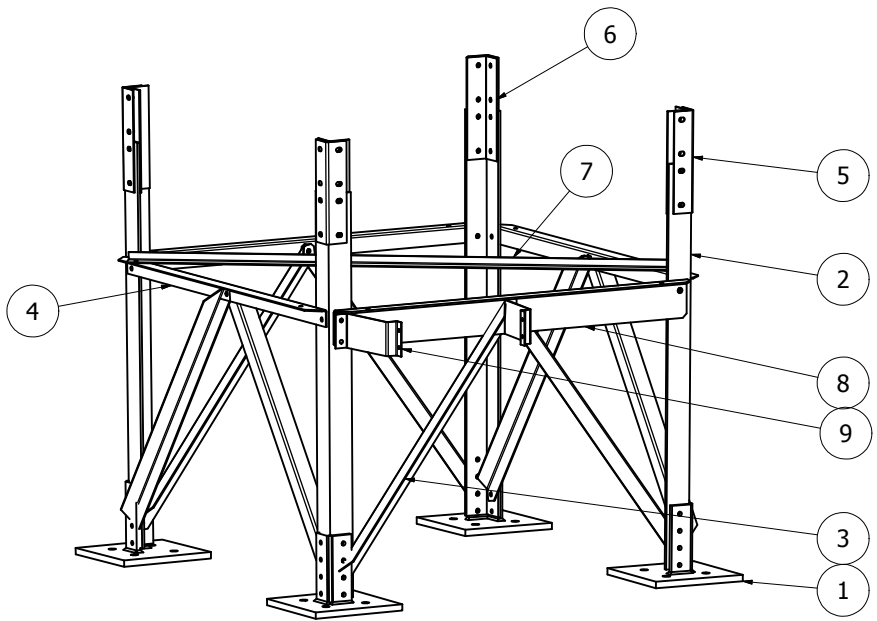
1



DRAWN Rex A Greene		8/12/2008		Greene Welding and Hardware Inc.	
				Greene Galvanized Stairs	
				217/375/4244	
				www.greenebinstairs.com	
MFG					
APPROVED					
		SIZE	DWG NO	REV	
		C	64301 30' loop tower		
				SHEET 2 OF 11	

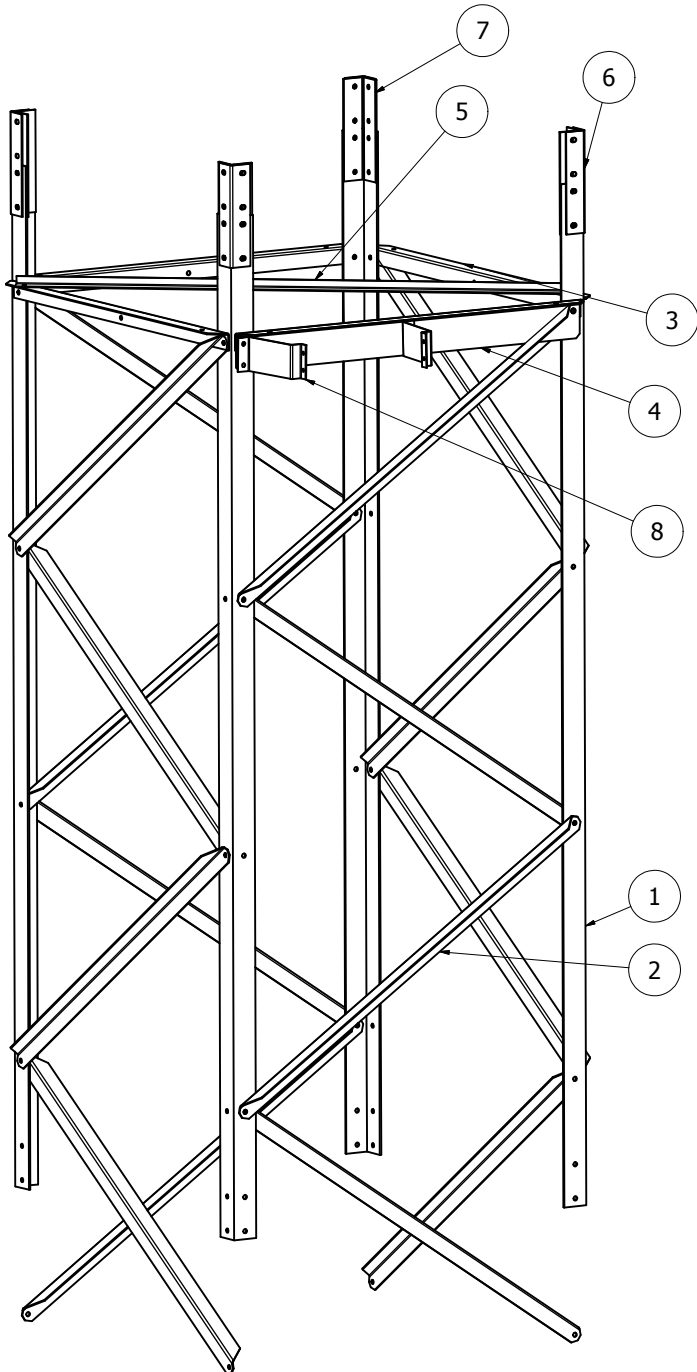
44404 1/4 base section

Parts List				
ITEM	QTY	PART NUMBER	STOCK NUMBER	MASS
1	4	66-B001 Anchor assy		33.171 lbmass
2	4	64-L004 Base leg .25	47.5 x 3 x 3 x 1/4 L	3.019 lbmass
3	8	64-D001 short base diag	39.25 x 2 x 2 x 8 ga L	0.630 lbmass
4	3	64-C001 Cross angle	47 x 2 x 2 x 8 ga L	0.786 lbmass
8	1	64-LC002 Ladder Cross bar	46.75 x 4.5 x 2 x 8 ga L	14.128 lbmass
5	4	SS2008 Siderail Splice	12 x 2.5 x 2.5 x 8 ga L	0.250 lbmass
6	8	SS0018 Siderail splice 8 ga	12 x 2 x 8 ga	1.395 lbmass
7	1	64-T001 tie brace	65.5 x 2 x 1 x 8 ga L	5.697 lbmass
9	2	64-LB003 Ladder Bracket	9 x 1.5 x 12 ga LB	1.403 lbmass
10	65	7/16 x 1 1/2 cap screw		
11	65	7/16 whiz nut		
12	4	5/16 x 3/4 cap screw		
13	4	5/16 Whiz nut		



DRAWN Rex A Greene		8/12/2008		Greene Welding and Hardware Inc. Greene Galvanized Stairs 217/375/4244 www.greenebinstairs.com	
MFG				TITLE	
APPROVED				SIZE	
		C		DWG NO 64301 30' loop tower	
				REV	
				SHEET 3 OF 11	

44310 10 ft 3/16 int section

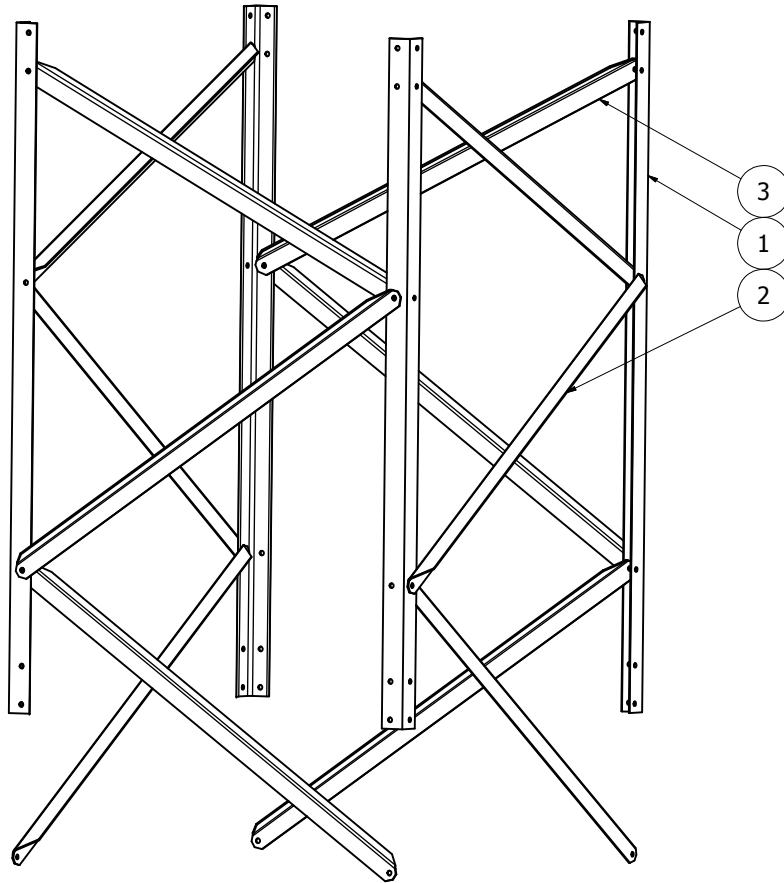


Parts List				
ITEM	QTY	PART NUMBER	STOCK NUMBER	MASS
1	4	64-L005 120 3-16 leg	120 x 3 x 3 x 3/16 L	4.699 lbmass
2	16	64-D007 diaagnoal	55.5 x 2 x 2 x 8 ga L	0.912 lbmass
3	3	64-C001 Cross angle	47 x 2 x 2 x 8 ga L	0.786 lbmass
4	1	64-LC002 Ladder Cross bar	46.75 x 4.5 x 2 x 8 ga L	14.128 lbmass
5	1	64-T001 tie brace	65.5 x 2 x 1 x 8 ga L	5.697 lbmass
6	4	SS2008 Siderail Splice	12 x 2.5 x 2.5 x 8 ga L	0.250 lbmass
7	8	SS0018 Siderail splice	12 x 2 x 8 ga	1.395 lbmass
8	2	64-LB003 Ladder Bracket	9 x 1.5 x 12 ga LB	1.403 lbmass
9	65	7/16 x 1 1/2 cap screw		
10	65	7/16 7/16 whiz nut		
11	4	5/16 x 3/4 cap screws		
12	4	5/16 whiz nuts		

DRAWN Rex A Greene 8/12/2008		Greene Welding and Hardware Inc. Greene Galvanized Stairs 217/375/4244 www.greenebinstairs.com	
MFG		TITLE	
APPROVED		SIZE	
		DWG NO	
		C 64301 30' loop tower	
		REV	
		SHEET 4 OF 11	

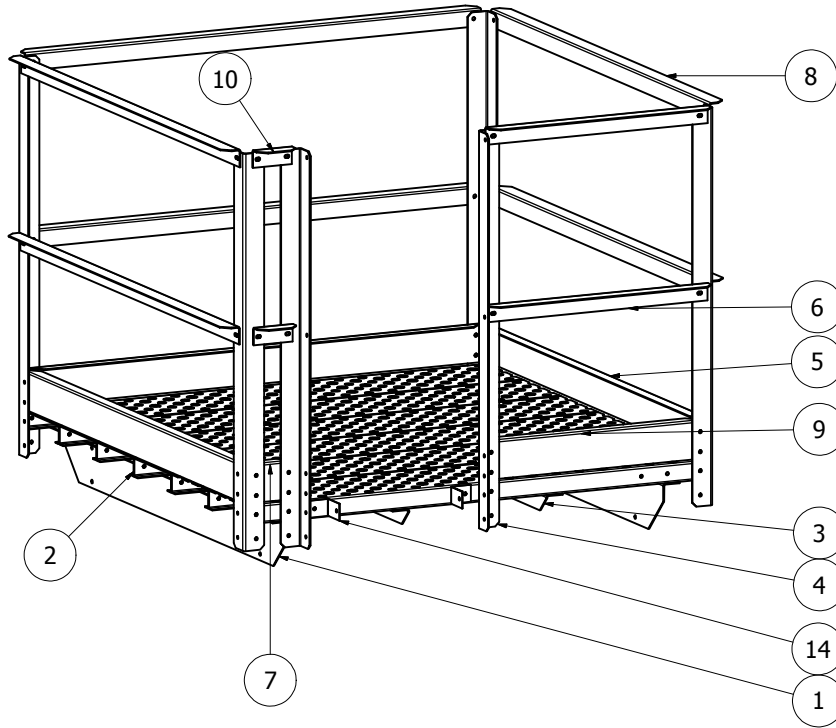
44306 6 ft top section

Parts List				
ITEM	QTY	PART NUMBER	STOCK NUMBER	MASS
1	4	64-L010 short top light leg	72 x 2.5 x 2.5 x 3/16 L	2.371 lbmass
2	8	64-D007 diagonal	55.5 x 2 x 2 x 8 ga L	0.912 lbmass
3	4	64-D009 top diagonal	52 x 2 x 2 x 8 ga L	9.624 lbmass



DRAWN Rex A Greene		8/12/2008		Greene Welding and Hardware Inc.	
				Greene Galvanized Stairs	
				TITLE 217/375/4244 www.greenebinstairs.com	
MFG					
APPROVED					
		SIZE C	DWG NO 64301 30' loop tower		REV
				SHEET 5 OF 11	

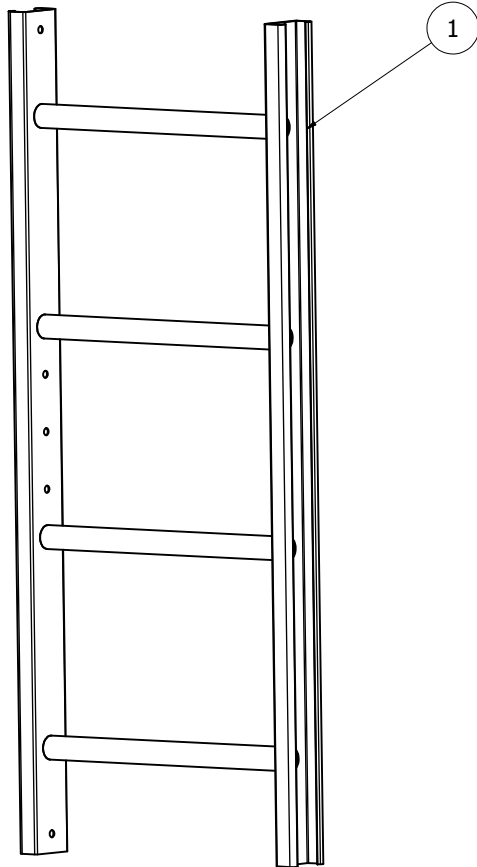
64550 5 x 5 top deck assy



Parts List			
ITEM	QTY	PART NUMBER	DESCRIPTION
1	2	64-TD0001 Mount Flange	60 x 6 x 2 x 8 ga
2	6	64-TD501 5ft deck	59.5 x 10 deck
3	2	64-TD009 Deck support	60 x 2 x 2 x 12 ga
4	6	64-TD502 Plat Post	47 x 2.5 x 2.5 x 10 ga
5	3	64-TD503 5' Kickboard	59 x 4.5 x 1.5 x 12 ga
6	2	64-TD506 Mid Handrail	29 x 4.5 x 1.5 x 12 ga
7	1	64-TD508 Short Kickboard	5.5 x 4.5 x 1.5 x 12 ga
8	6	64-TD005 5' handrail	58.5 x 2 x 2 x 12 ga
9	1	64-TD504 Mid Kickboard	28.5 x 2 x 2 x 12 ga
10	2	64-TD507 Short Handrail	5 x 2 x 2 x 12 ga
14	2	64-TD003 ladder bucket	
11	125	5/16 x 3/4 cap screw	
12	125	5/16 whiz nut	
13	60	5/16 Flat washer	

DRAWN	Rex A Greene	8/12/2008	Greene Welding and Hardware Inc.	
			Greene Galvanized Stairs	
			217/375/4244	
			www.greenebinstairs.com	
MFG				
APPROVED				
			SIZE	DWG NO
			C	64301 30' loop tower
				REV
			SHEET 6 OF 11	

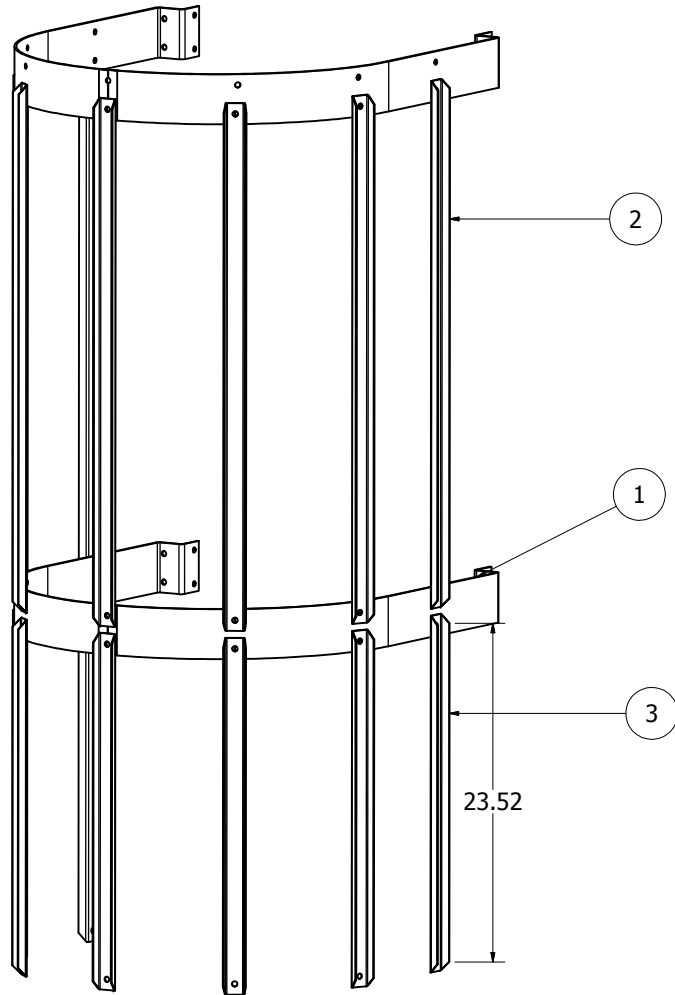
44" Sukup ladder section



Parts List			
ITEM	QTY	PART NUMBER	DESCRIPTION
1	1	Sukup 44 ladder section	
2	2	sukup rail splice	
3	4	5/16 x 3/4 cap screw	
4	4	5/16 whiz nuts	

DRAWN Rex A Greene		8/12/2008		Greene Welding and Hardware Inc.	
				Greene Galvanized Stairs	
				TITLE 217/375/4244 www.greenebinstairs.com	
MFG					
APPROVED					
		SIZE C	DWG NO 64301 30' loop tower		REV
				SHEET 7 OF 11	

SP-C003 Safety cage top section

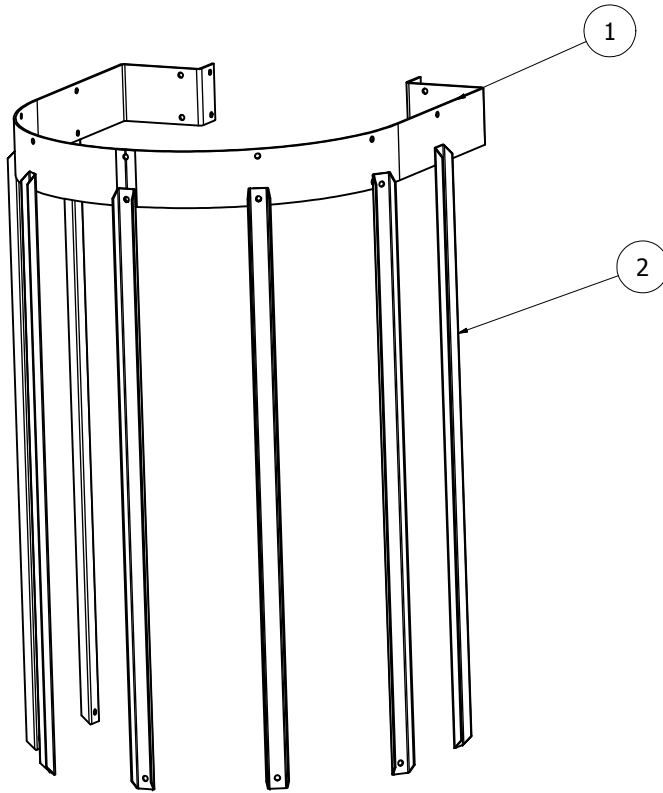


Parts List			
ITEM	QTY	PART NUMBER	DESCRIPTION
1	4	SPC-002 Top hoop	
2	7	SPC-012 top upright	37 x 1 1/4 channel
3	7	SPC-013 mid upright	25.75 x 1 1/4 channel
4	17	5/16 x 3/4 cap screw	
5	17	5/16 whiz nut	

DRAWN Rex A Greene 8/12/2008		Greene Welding and Hardware Inc. Greene Galvanized Stairs 217/375/4244 www.greenebinstairs.com	
MFG		TITLE	
APPROVED		REV	
SIZE C		DWG NO 64301 30' loop tower	
SHEET 8 OF 11			



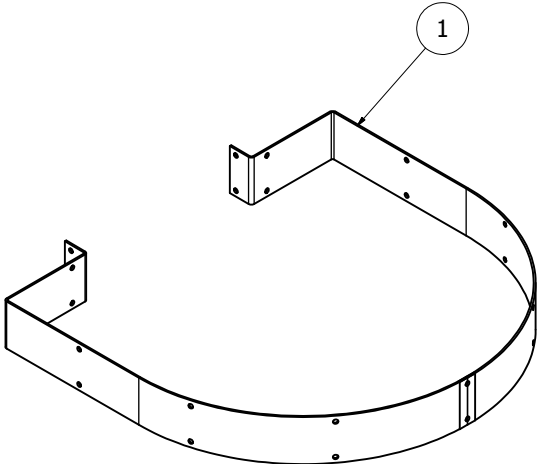
SP-C002 Safety cage main section



Parts List			
ITEM	QTY	PART NUMBER	DESCRIPTION
1	2	SPC-001	
2	7	SPC-011 main upright	43 3/4 x 1 1/4 channel
3	18	5/16 x 3/4 cap screw	
4	18	5/16 whiz nut	

DRAWN Rex A Greene		8/12/2008		Greene Welding and Hardware Inc.	
				Greene Galvanized Stairs	
				TITLE 217/375/4244 www.greenebinstairs.com	
MFG					
APPROVED					
		SIZE C	DWG NO 64301	30' loop tower	REV
				SHEET 9 OF 11	

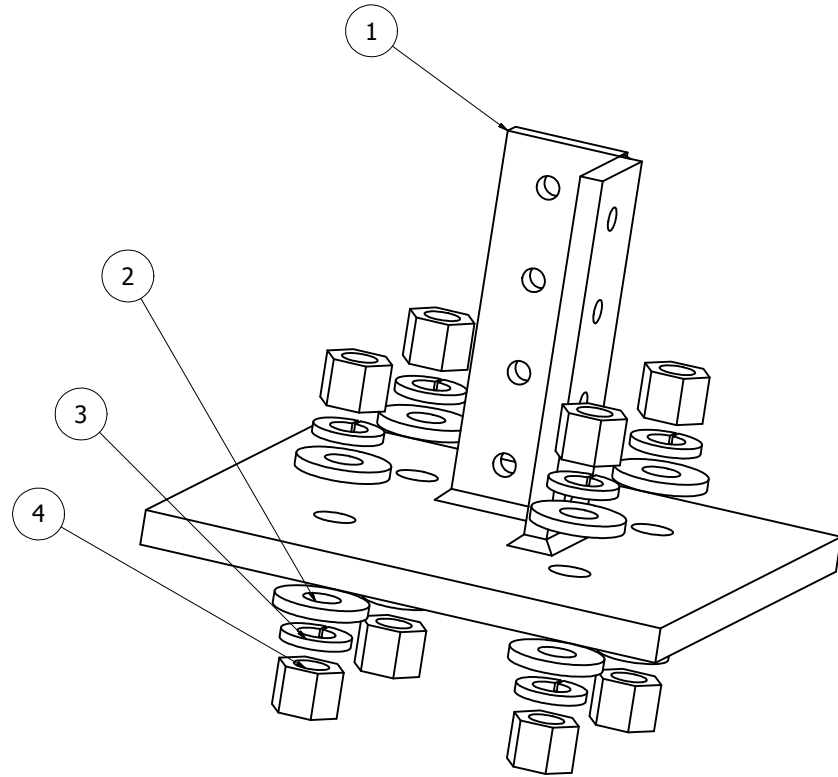
SP-C001 Safety cage flare



Parts List			
ITEM	QTY	PART NUMBER	DESCRIPTION
1	2	SPC-003 flare hoop	
2	9	5/16 x 3/4 cap screw	
3	9	5/16 whiz nut	

DRAWN <b>Rex A Greene</b>		8/12/2008		Greene Welding and Hardware Inc.	
				Greene Galvanized Stairs	
				TITLE <b>217/375/4244</b>	
				www.greenebinstairs.com	
MFG					
APPROVED					
		SIZE	DWG NO	REV	
		C	64301 30' loop tower		
				SHEET 10 OF 11	

# Anchoring mount



Parts List			
ITEM	QTY	PART NUMBER	DESCRIPTION
1	1	64-AB001 Anchor base	
2	8	3-4 Heavy washer	
3	8	3-4 lock washer	
4	8	3-4 nut	

DRAWN <b>Rex A Greene</b>		8/12/2008		Greene Welding and Hardware Inc.	
				Greene Galvanized Stairs	
				TITLE <b>217/375/4244</b>	
				www.greenebinstairs.com	
MFG					
APPROVED					
		SIZE C	DWG NO <b>64301 30' loop tower</b>		REV
				SHEET <b>11</b> OF <b>11</b>	