

2025

Prices effective November 1, 2024

GREENE

GALVANIZED STAIRS

An ISO 9001:2015 Registered Company

www.greenestairs.com



41774 Main Street; PO Box 191
East Lynn, IL 60932
217-375-4244; Fax 217-375-4245

All Galvanized Material
F.O.B. East Lynn IL 60932
Prices subject to change without notice

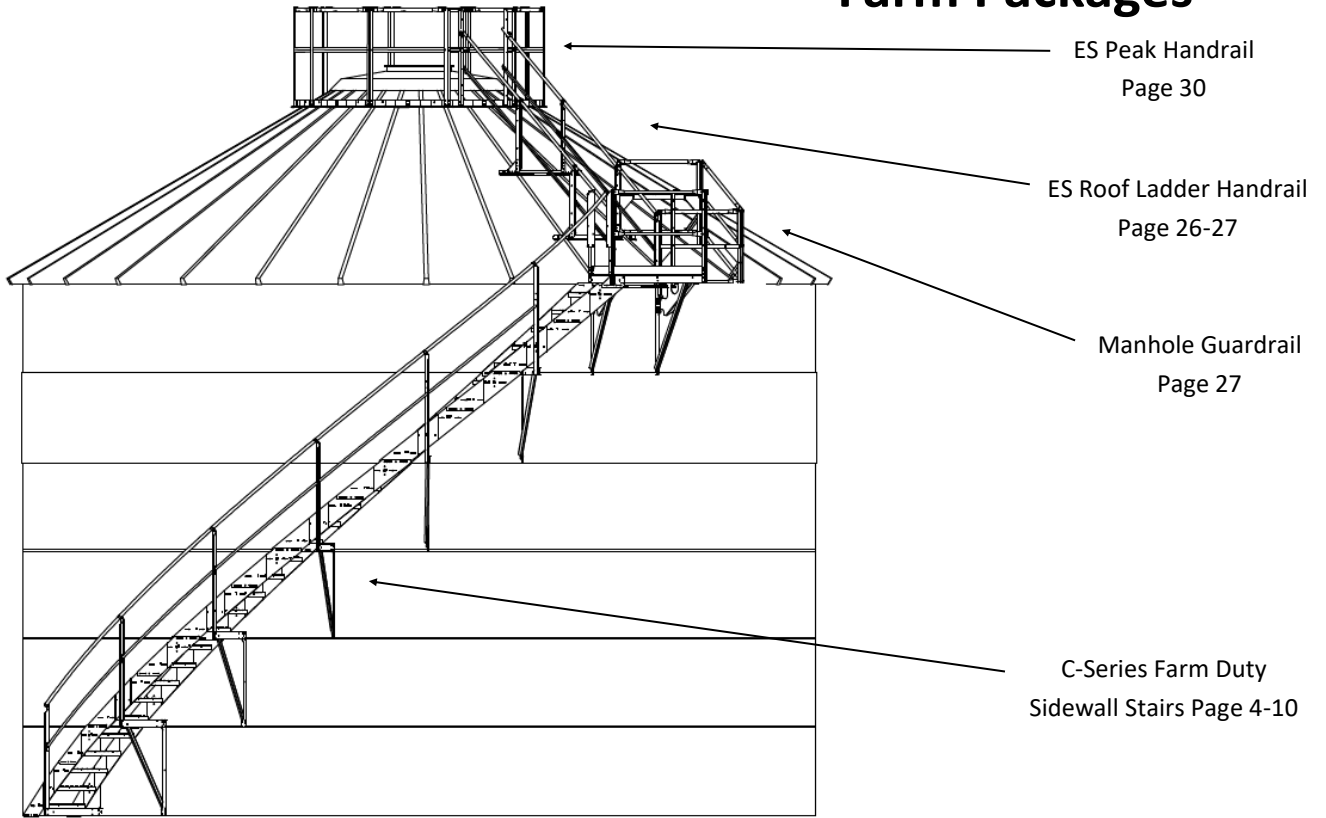
Revised 11/01/2024

Contents

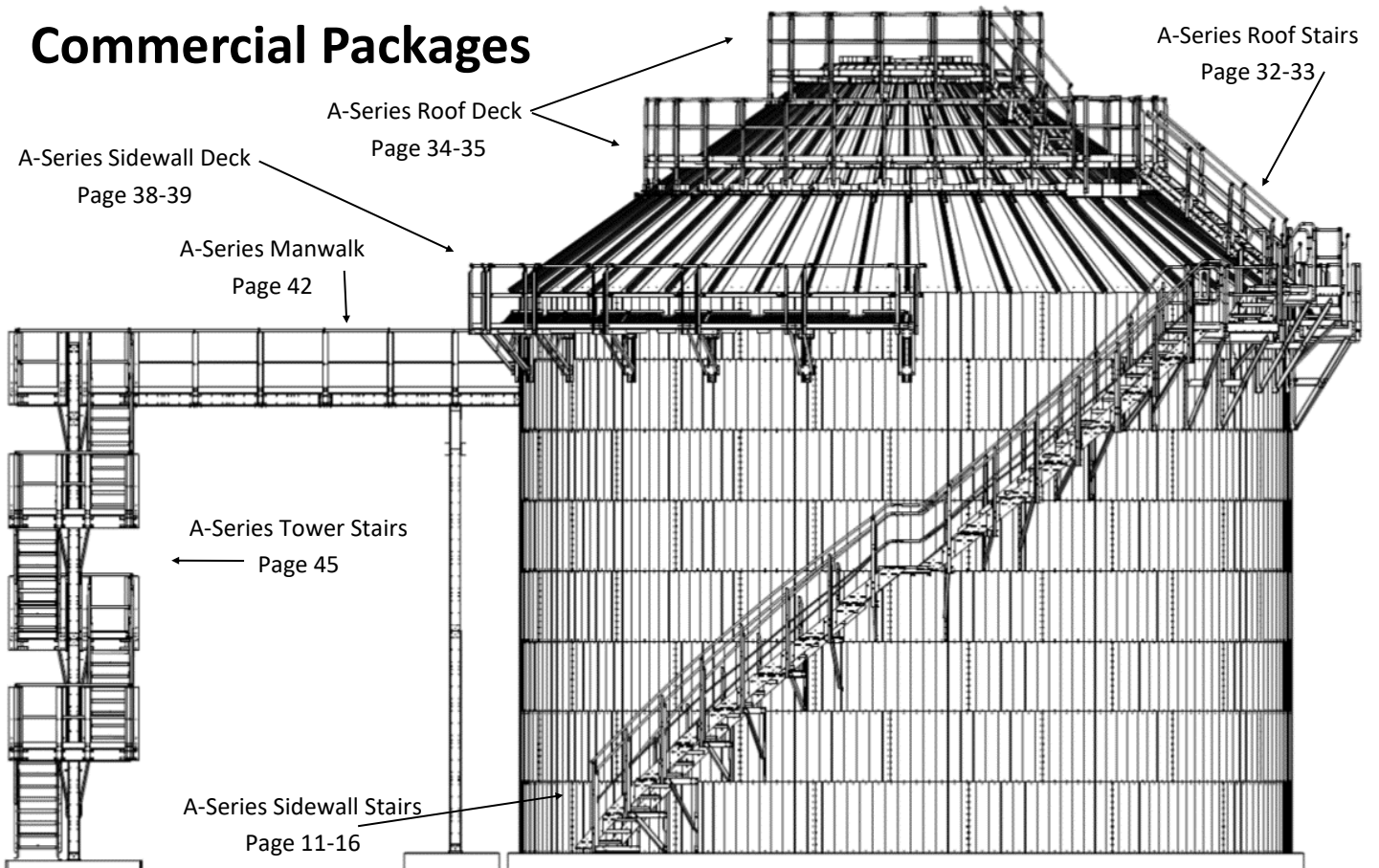
Sidewall Stairs	4
C-Series Sidewall Stairs	4-10
A-Series Sidewall Stairs	11-16
A-Series Gates	17
Easy Step Stair System	18-19
Hi-Lo Roof Stair to Manhole Configuration	20
Platform Illustrations	21
Original Sidewall Stairs	22-23
A-Series Landing with Variable Stairs	24
A-Series Truck Probe Service Platform and Stairs	25
Roof Packages	26
Easy Step Roof Ladder Handrail	26 - 27
Easy Step Roof Stairs	28 - 29
Easy Step Peak Handrail	30
Easy Step Walkarounds	31
A-Series Roof Stairs	32 - 33
A-Series Roof Deck	34
A-Series Walkarounds	35
Perimeter Safety Rail	36
Mid Roof Handrail	37
A-Series Sidewall Deck (Eave Walkaround)	38 - 39
Material Handling Access and Support	40
Manwalk Supports	40
Manwalk	41
Cut In Hatch	41
A-Series Manwalk	42
A-Series Variable Stairs	43
A-Series Foundation Deck	44
A-Series Tower Stairs	45
Conveyor Support	46
Conveyor Support Wall Mount Towers	47
Box Frame Support Towers	48
Support Rings	49
Tools	49
Loop End Towers	50 - 51
Wall Mount Loop Supports	52 - 53
Contact Information	54

Roadmap to Safety

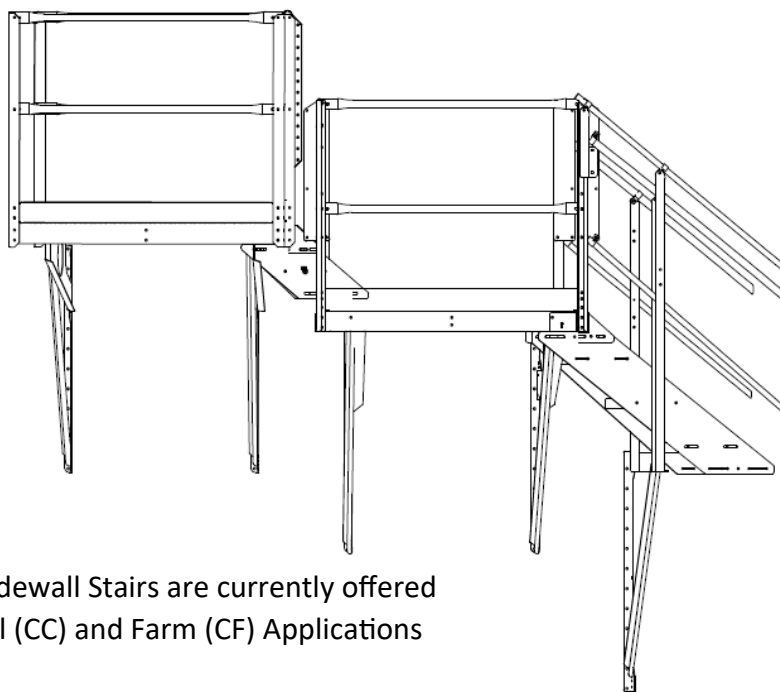
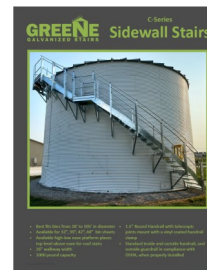
Farm Packages



Commercial Packages

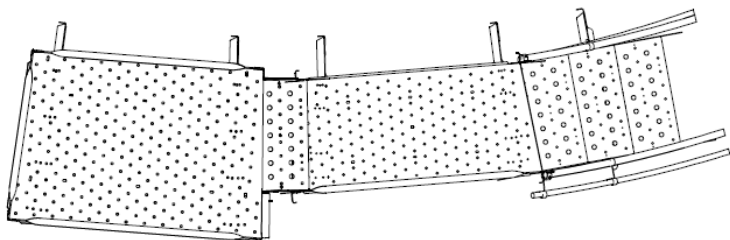


C-Series Sidewall Stairs

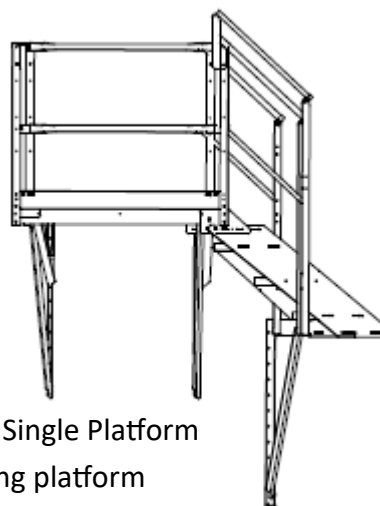


The C-Series Sidewall Stairs are currently offered for Commercial (CC) and Farm (CF) Applications

- *The C-Series Commercial (CC) Sidewall Stairs were designed to offer compliance when egress standards are not expected*
- *The CC packages offer a 24 inch walkway and an inside and outside railing with a guardrail on the exposed side and provides 9 inches of clearance from the bin wall for stiffeners and wind rings*
- *The C-Series is capable of fitting bins 18 ft in diameter to 156 ft in diameter*
- *Platforms can be placed at any elevation as any normal step (Contact us to quote your custom elevation)*
- *Two lengths of trapezoid platforms help to eliminate gaps between platform and top step*
- *CF modules do not include an inside railing or guard rail on the exposed side*
- *CC packages include wide stair platform 4.4" above eave and long intermediate platform 12" below inspection portal, a self closing gate, as well as rest landings every 6 wide rings*
- *CF packages do not include a gate or rest landings and have one platform 4.4" below eave*
- *5 different sizes: 44", 42" (Chief), 42" with 2.66" Corrugation, 39", & 32"*
- *For adjacent bins sharing one standard width platform, space bin walls 40" apart, if using a twin platform space 72" apart . For larger spans refer to page 21 for the use of crossover platform*



CC Double Eave Platform
Wide stair Platform & Long
Intermediate Platform



CF Single Platform
Long platform

C-Series Sidewall Stairs

The individual units are listed below, replace the 44 with the ring height as seen on the following pages. Example: CC3544L is the first line item when ordered for a 44" wide corrugation bin. For a 42" with 2.66" corrugation, order CC3546L.

NOTE: Stairs for the stem wall ARE NOT figured in the C-Series Stair packages. Call for more information.

"CC" Commercial Modules

Item	Description	List Price	Weight	Horizontal Travel	9 3/8 Bolt Spaces
CC8544	C-Series Wide Stair Platform, includes ASG100	\$1,795.00	232lbs	37 1/2"	4
CC3544L	C-Series Long Stair Platform, includes ASG100	\$1,315.00	191lbs	37 1/2"	4
CC3544S	C-Series Short Stair Platform, includes ASG100	\$1,248.00	175lbs	28 1/8"	3
CC8644	C-Series Wide Intermediate Platform	\$1,547.00	206lbs	37 1/2"	4
CC3644L	C-Series Long Intermediate Platform	\$915.00	137lbs	37 1/2"	4
CC3644S	C-Series Short Intermediate Platform	\$848.00	126lbs	28 1/8"	3
CC3944L	C-Series Long End Platform	\$898.00	155lbs	37 1/2"	4
CC3944S	C-Series Short End Platform	\$831.00	143lbs	28 1/8"	3
CC4400	C-Series 5 Step Sidewall Stair Section	\$824.00	145lbs	46 7/8"	5
CC3200	C-Series 4 Step Sidewall Stair Section, 32" Sheet	\$709.00	118lbs	37 1/2"	4
CC4404	C-Series 4 Step Sidewall Stair Section	\$709.00	122lbs	37 1/2"	4
CC4403	C-Series 3 Step Sidewall Stair Section	\$591.00	102lbs	28 1/8"	3
CC4402	C-Series 2 Step Sidewall Stair Section	\$504.00	86lbs	18 3/4"	2
CC4401	C-Series 1 Step Sidewall Stair Section	\$131.00	22lbs	9 3/8"	1
CC3850	C-Series Platform Filler	\$116.00	20lbs	18 3/4"	2
CC3748	C-Series Commercial Crossover Platform - figure on pg. 21	\$689.00	85lbs		
ASG300	A-Series Sidewall Gate, Yellow - figure on pg. 17	\$418.00	38lbs		

"CF" Farm Modules

Item	Description	List Price	Weight	Horizontal Travel	9 3/8 Bolt Spaces
CF3544L	C-Series Long Stair Platform	\$915.00	144lbs	37 1/2"	4
CF3544S	C-Series Short Stair Platform	\$848.00	134lbs	28 1/8"	3
CF3644L	C-Series Long Intermediate Platform	\$861.00	132lbs	37 1/2"	4
CF3644S	C-Series Short Intermediate Platform	\$794.00	122lbs	28 1/8"	3
CF3944L	C-Series Long End Platform	\$898.00	155lbs	37 1/2"	4
CF3944S	C-Series Short End Platform	\$831.00	143lbs	28 1/8"	3
CF4400	C-Series 5 Step Sidewall Stair Section	\$672.00	118lbs	46 7/8"	5
CF3200	C-Series 4 Step Sidewall Stair Section, 32" Sheet	\$573.00	95lbs	37 1/2"	4
CF4404	C-Series 4 Step Sidewall Stair Section	\$573.00	98lbs	37 1/2"	4
CF4403	C-Series 3 Step Sidewall Stair Section	\$471.00	81lbs	28 1/8"	3
CF4402	C-Series 2 Step Sidewall Stair Section	\$384.00	66lbs	18 3/4"	2
CF4401	C-Series 1 Step Sidewall Stair Section	\$108.00	19lbs	9 3/8"	1
CC3850	C-Series Platform Filler	\$116.00	20lbs	18 3/4"	2
CC3748	C-Series Commercial Crossover Platform - figure on pg. 21	\$689.00	85lbs		
CF0001	C-Series Inside Handrail Kit, 1 per stair section	\$74.60	12lbs		
CF0002	C-Series Guardrail Kit, 1 per stair section	\$54.09	10lbs		
ASG300	A-Series Sidewall Gate, Yellow - figure on pg. 17	\$418.00	38lbs		

C-Series Sidewall Stairs

44" Bin Sheets with 4" corrugation

With 12—9.375" or 24—4.688" bolt spacing

Ordering Information: Last two digits of package number indicates number of rings

CC Commercial Duty Packages Rest Landings every 6 rings

	44" ring Eave Height	List Price	Weight	Bolt Space Coverage
CC401	3.67	\$ 3,437.00	493	14
CC404	14.7	\$ 5,909.00	928	29
CC405	18.3	\$ 6,733.00	1,073	34
CC406	22.0	\$ 7,557.00	1,218	39
CC407	25.7	\$ 9,114.00	1,466	46
CC408	29.3	\$ 9,938.00	1,611	51
CC409	33.0	\$ 10,762.00	1,756	56
CC410	36.7	\$ 11,586.00	1,901	61
CC411	40.3	\$ 12,410.00	2,046	66
CC412	44.0	\$ 13,234.00	2,191	71
CC413	47.7	\$ 14,791.00	2,439	78
CC414	51.3	\$ 15,615.00	2,584	83
CC415	55.0	\$ 16,439.00	2,729	88
CC416	58.7	\$ 17,263.00	2,874	93
CC417	62.3	\$ 18,087.00	3,019	98
CC418	66.0	\$ 18,911.00	3,164	103
CC419	69.7	\$ 20,468.00	3,412	110
CC420	73.3	\$ 21,292.00	3,557	115
CC421	77.0	\$ 22,116.00	3,702	120
CC422	80.7	\$ 22,940.00	3,847	125
CC423	84.3	\$ 23,764.00	3,992	130
CC424	88.0	\$ 24,588.00	4,137	135
CC425	91.7	\$ 26,145.00	4,385	142
CC426	95.3	\$ 26,969.00	4,530	147
CC427	99.0	\$ 27,793.00	4,675	152
CC428	102.7	\$ 28,617.00	4,820	157
CC429	106.3	\$ 29,441.00	4,965	162
CC430	110.0	\$ 30,265.00	5,110	167
CC431	113.7	\$ 31,822.00	5,358	174
CC432	117.3	\$ 32,646.00	5,503	179
CC433	121.0	\$ 33,470.00	5,648	184
CC434	124.7	\$ 34,294.00	5,793	189

CF Farm Duty Packages No Rest Landings No inside rail or guardrail

	44" ring Eave Height	List Price	Weight	Bolt Space Coverage
CF404	14.7	\$ 3,504.00	596	25
CF405	18.3	\$ 4,176.00	714	30
CF406	22.0	\$ 4,848.00	832	35
CF407	25.7	\$ 5,520.00	950	40
CF408	29.3	\$ 6,192.00	1068	45
CF409	33.0	\$ 6,864.00	1186	50
CF410	36.7	\$ 7,536.00	1304	55
CF411	40.3	\$ 8,208.00	1422	60
CF412	44.0	\$ 8,880.00	1540	65
CF413	47.7	\$ 9,552.00	1658	70
CF414	51.3	\$ 10,224.00	1776	75
CF415	55.0	\$ 10,896.00	1894	80
CF416	58.7	\$ 11,568.00	2012	85
CF417	62.3	\$ 12,240.00	2130	90
CF418	66.0	\$ 12,912.00	2248	95
CF419	69.7	\$ 13,584.00	2366	100
CF420	73.3	\$ 14,256.00	2484	105
CF421	77.0	\$ 14,928.00	2602	110
CF422	80.7	\$ 15,600.00	2720	115
CF423	84.3	\$ 16,272.00	2838	120
CF424	88.0	\$ 16,944.00	2956	125
CF425	91.7	\$ 17,616.00	3074	130
CF426	95.3	\$ 18,288.00	3192	135
CF427	99.0	\$ 18,960.00	3310	140
CF428	102.7	\$ 19,632.00	3428	145
CF429	106.3	\$ 20,304.00	3546	150
CF430	110.0	\$ 20,976.00	3664	155
CF431	113.7	\$ 21,648.00	3782	160
CF432	117.3	\$ 22,320.00	3900	165
CF433	121.0	\$ 22,992.00	4018	170
CF434	124.7	\$ 23,664.00	4136	175

C-Series Sidewall Stairs

Chief 42" Bin Sheets with 4.714" corrugation

With 12—9.719" or 24—4.86" bolt spacing

Ordering Information: Last two digits of package number indicates number of rings

CC Commercial Duty Package Rest Landings every 6 Rings

	42" ring Eave Height	List Price	Weight	Bolt Space Coverage
CC201	3.5	\$ 3,437.00	489	14
CC204	14.0	\$ 5,909.00	918	29
CC205	17.5	\$ 6,733.00	1061	34
CC206	21.0	\$ 7,557.00	1204	39
CC207	24.5	\$ 9,114.00	1325	46
CC208	28.0	\$ 9,938.00	1468	51
CC209	31.5	\$ 10,762.00	1611	56
CC210	35.0	\$ 11,586.00	1754	61
CC211	38.5	\$ 12,410.00	1897	66
CC212	42.0	\$ 13,234.00	2040	71
CC213	45.5	\$ 14,791.00	2161	78
CC214	49.0	\$ 15,615.00	2304	83
CC215	52.5	\$ 16,439.00	2447	88
CC216	56.0	\$ 17,263.00	2590	93
CC217	59.5	\$ 18,087.00	2733	98
CC218	63.0	\$ 18,911.00	2876	103
CC219	66.5	\$ 20,468.00	2997	110
CC220	77.0	\$ 21,292.00	3140	115
CC221	73.5	\$ 22,116.00	3283	120
CC222	77.0	\$ 22,940.00	3426	125
CC223	80.5	\$ 23,764.00	3569	130
CC224	84.0	\$ 24,588.00	3712	135
CC225	87.5	\$ 26,145.00	3833	142
CC226	91.0	\$ 26,969.00	3976	147
CC227	94.5	\$ 27,793.00	4119	152
CC228	98.0	\$ 28,617.00	4262	157
CC229	101.5	\$ 29,441.00	4405	162
CC230	105.0	\$ 30,265.00	4548	167
CC231	108.5	\$ 31,822.00	4669	172
CC232	112.0	\$ 32,646.00	4812	179
CC233	115.5	\$ 33,470.00	4955	184
CC234	119.0	\$ 34,294.00	5098	189

CF Farm Duty Packages No Rest Landings No inside rail or guard rail

	42" ring Eave Height	List Price	Weight	Bolt Space Coverage
CF204	14.0	\$ 3,504.00	590	25
CF205	17.5	\$ 4,176.00	707	30
CF206	21.0	\$ 4,848.00	824	35
CF207	24.5	\$ 5,520.00	941	40
CF208	28.0	\$ 6,192.00	1058	45
CF209	31.5	\$ 6,864.00	1175	50
CF210	35.0	\$ 7,536.00	1292	55
CF211	38.5	\$ 8,208.00	1409	60
CF212	42.0	\$ 8,880.00	1526	65
CF213	45.5	\$ 9,552.00	1643	70
CF214	49.0	\$ 10,224.00	1760	75
CF215	52.5	\$ 10,896.00	1877	80
CF216	56.0	\$ 11,568.00	1994	85
CF217	59.5	\$ 12,240.00	2111	90
CF218	63.0	\$ 12,912.00	2228	95
CF219	66.5	\$ 13,584.00	2345	100
CF220	77.0	\$ 14,256.00	2462	105
CF221	73.5	\$ 14,928.00	2579	110
CF222	77.0	\$ 15,600.00	2696	115
CF223	80.5	\$ 16,272.00	2813	120
CF224	84.0	\$ 16,944.00	2930	125
CF225	87.5	\$ 17,616.00	3047	130
CF226	91.0	\$ 18,288.00	3164	135
CF227	94.5	\$ 18,960.00	3281	140
CF228	98.0	\$ 19,632.00	3398	145
CF229	101.5	\$ 20,304.00	3515	150
CF230	105.0	\$ 20,976.00	3632	155
CF231	108.5	\$ 21,648.00	3749	160
CF232	112.0	\$ 22,320.00	3866	165
CF233	115.5	\$ 22,992.00	3983	170
CF234	119.0	\$ 23,664.00	4100	175

C-Series Sidewall Stairs

42" Bin Sheets with 2.66" Corrugation

With 12—9.375" or 24—4.688" bolt spacing

Ordering Information: Last two digits of package number indicates number of rings

CC Commercial Duty Packages Rest Landings every 6 rings

CF Farm Duty Packages No Rest Landings No inside rail or guardrail

CC Commercial Duty Packages					CF Farm Duty Packages				
Rest Landings every 6 rings					No Rest Landings No inside rail or guardrail				
	42" ring			Bolt Space		42" ring			Bolt Space
	Eave	List Price	Weight	Coverage		Eave	List Price	Weight	Coverage
	Height					Height			
CC601	3.5	\$ 3,437.00	492	14	CF604	14.0	\$ 3,504.00	578	25
CC604	14.0	\$ 5,909.00	918	29	CF605	17.5	\$ 4,176.00	690	30
CC605	17.5	\$ 6,733.00	1,060	34	CF606	21.0	\$ 4,848.00	802	35
CC606	21.0	\$ 7,557.00	1,202	39	CF607	24.5	\$ 5,520.00	914	40
CC607	24.5	\$ 9,114.00	1,450	46	CF608	28.0	\$ 6,192.00	1026	45
CC608	28.0	\$ 9,938.00	1,592	51	CF609	31.5	\$ 6,864.00	1138	50
CC609	31.5	\$ 10,762.00	1,734	56	CF610	35.0	\$ 7,536.00	1250	55
CC610	35.0	\$ 11,586.00	1,876	61	CF611	38.5	\$ 8,208.00	1362	60
CC611	38.5	\$ 12,410.00	2,018	66	CF612	42.0	\$ 8,880.00	1474	65
CC612	42.0	\$ 13,234.00	2,160	71	CF613	45.5	\$ 9,552.00	1586	70
CC613	45.5	\$ 14,791.00	2,408	78	CF614	49.0	\$ 10,224.00	1698	75
CC614	49.0	\$ 15,615.00	2,550	83	CF615	52.5	\$ 10,896.00	1810	80
CC615	52.5	\$ 16,439.00	2,692	88	CF616	56.0	\$ 11,568.00	1922	85
CC616	56.0	\$ 17,263.00	2,834	93	CF617	59.5	\$ 12,240.00	2034	90
CC617	59.5	\$ 18,087.00	2,976	98	CF618	63.0	\$ 12,912.00	2146	95
CC618	63.0	\$ 18,911.00	3,118	103	CF619	66.5	\$ 13,584.00	2258	100
CC619	66.5	\$ 20,468.00	3,366	110	CF620	77.0	\$ 14,256.00	2370	105
CC620	77.0	\$ 21,292.00	3,508	115	CF621	73.5	\$ 14,928.00	2482	110
CC621	73.5	\$ 22,116.00	3,650	120	CF622	77.0	\$ 15,600.00	2594	115
CC622	77.0	\$ 22,940.00	3,792	125	CF623	80.5	\$ 16,272.00	2706	120
CC623	80.5	\$ 23,764.00	3,934	130	CF624	84.0	\$ 16,944.00	2818	125
CC624	84.0	\$ 24,588.00	4,076	135	CF625	87.5	\$ 17,616.00	2930	130
CC625	87.5	\$ 26,145.00	4,324	142	CF626	91.0	\$ 18,288.00	3042	135
CC626	91.0	\$ 26,969.00	4,466	147	CF627	94.5	\$ 18,960.00	3154	140
CC627	94.5	\$ 27,793.00	4,608	152	CF628	98.0	\$ 19,632.00	3266	145
CC628	98.0	\$ 28,617.00	4,750	157	CF629	101.5	\$ 20,304.00	3378	150
CC629	101.5	\$ 29,441.00	4,892	162	CF630	105.0	\$ 20,976.00	3490	155
CC630	105.0	\$ 30,265.00	5,034	167	CF631	108.5	\$ 21,648.00	3602	160
CC631	108.5	\$ 31,822.00	5,282	172	CF632	112.0	\$ 22,320.00	3714	165
CC632	112.0	\$ 32,646.00	5,424	179	CF633	115.5	\$ 22,992.00	3826	170
CC633	115.5	\$ 33,470.00	5,566	184	CF634	119.0	\$ 23,664.00	3938	175
CC634	119.0	\$ 34,294.00	5,708	189					

C-Series Sidewall Stairs

Behlen 1M Bin Sheets with 3.28" corrugation

With 30—4.123" bolt spacing

Ordering Information: Last two digits of package number indicates number of rings

CC Commercial Duty Package Rest Landings every 6 Rings

	1M Ring Eave Ht.	List Price	Weight	Bolt Space Coverage
CC901	3.3	\$ 3,437.00	490	31
CC904	13.1	\$ 5,909.00	919	67
CC905	16.4	\$ 6,733.00	1062	79
CC906	19.6	\$ 7,557.00	1205	91
CC907	22.9	\$ 9,114.00	1449	107
CC908	26.2	\$ 9,938.00	1592	119
CC909	29.4	\$ 10,762.00	1735	131
CC910	32.7	\$ 11,586.00	1878	143
CC911	36.0	\$ 12,410.00	2021	155
CC912	39.3	\$ 13,234.00	2164	167
CC913	42.5	\$ 14,791.00	2408	183
CC914	45.8	\$ 15,615.00	2551	195
CC915	49.1	\$ 16,439.00	2694	207
CC916	52.3	\$ 17,263.00	2837	219
CC917	55.6	\$ 18,087.00	2980	231
CC918	58.9	\$ 18,911.00	3123	243
CC919	62.1	\$ 20,468.00	3367	259
CC920	65.4	\$ 21,292.00	3510	271
CC921	68.7	\$ 22,116.00	3653	283
CC922	72.0	\$ 22,940.00	3796	295
CC923	75.2	\$ 23,764.00	3939	307
CC924	78.5	\$ 24,588.00	4082	319
CC925	81.8	\$ 26,145.00	4326	335
CC926	85.0	\$ 26,969.00	4469	347
CC927	88.3	\$ 27,793.00	4612	359
CC928	91.6	\$ 28,617.00	4755	371
CC929	94.8	\$ 29,441.00	4898	383
CC930	98.1	\$ 30,265.00	5041	395
CC931	101.4	\$ 31,822.00	5285	407
CC932	104.7	\$ 32,646.00	5428	423
CC933	107.9	\$ 33,470.00	5571	435
CC934	111.2	\$ 34,294.00	5714	447

CF Farm Duty Packages No Rest Landings No inside rail or guard rail

	1M Ring Eave Ht.	List Price	Weight	Bolt Space Coverage
CF904	13.1	\$ 3,504.00	585	58
CF905	16.4	\$ 4,176.00	702	70
CF906	19.6	\$ 4,848.00	819	82
CF907	22.9	\$ 5,520.00	936	94
CF908	26.2	\$ 6,192.00	1053	106
CF909	29.4	\$ 6,864.00	1170	118
CF910	32.7	\$ 7,536.00	1287	130
CF911	36.0	\$ 8,208.00	1404	142
CF912	39.3	\$ 8,880.00	1521	154
CF913	42.5	\$ 9,552.00	1638	166
CF914	45.8	\$ 10,224.00	1755	178
CF915	49.1	\$ 10,896.00	1872	190
CF916	52.3	\$ 11,568.00	1989	202
CF917	55.6	\$ 12,240.00	2106	214
CF918	58.9	\$ 12,912.00	2223	226
CF919	62.1	\$ 13,584.00	2340	238
CF920	65.4	\$ 14,256.00	2457	250
CF921	68.7	\$ 14,928.00	2574	262
CF922	72.0	\$ 15,600.00	2691	274
CF923	75.2	\$ 16,272.00	2808	286
CF924	78.5	\$ 16,944.00	2925	298
CF925	81.8	\$ 17,616.00	3042	310
CF926	85.0	\$ 18,288.00	3159	322
CF927	88.3	\$ 18,960.00	3276	334
CF928	91.6	\$ 19,632.00	3393	346
CF929	94.8	\$ 20,304.00	3510	358
CF930	98.1	\$ 20,976.00	3627	370
CF931	101.4	\$ 21,648.00	3744	382
CF932	104.7	\$ 22,320.00	3861	394
CF933	107.9	\$ 22,992.00	3978	406
CF934	111.2	\$ 23,664.00	4095	418

C-Series Sidewall Stairs

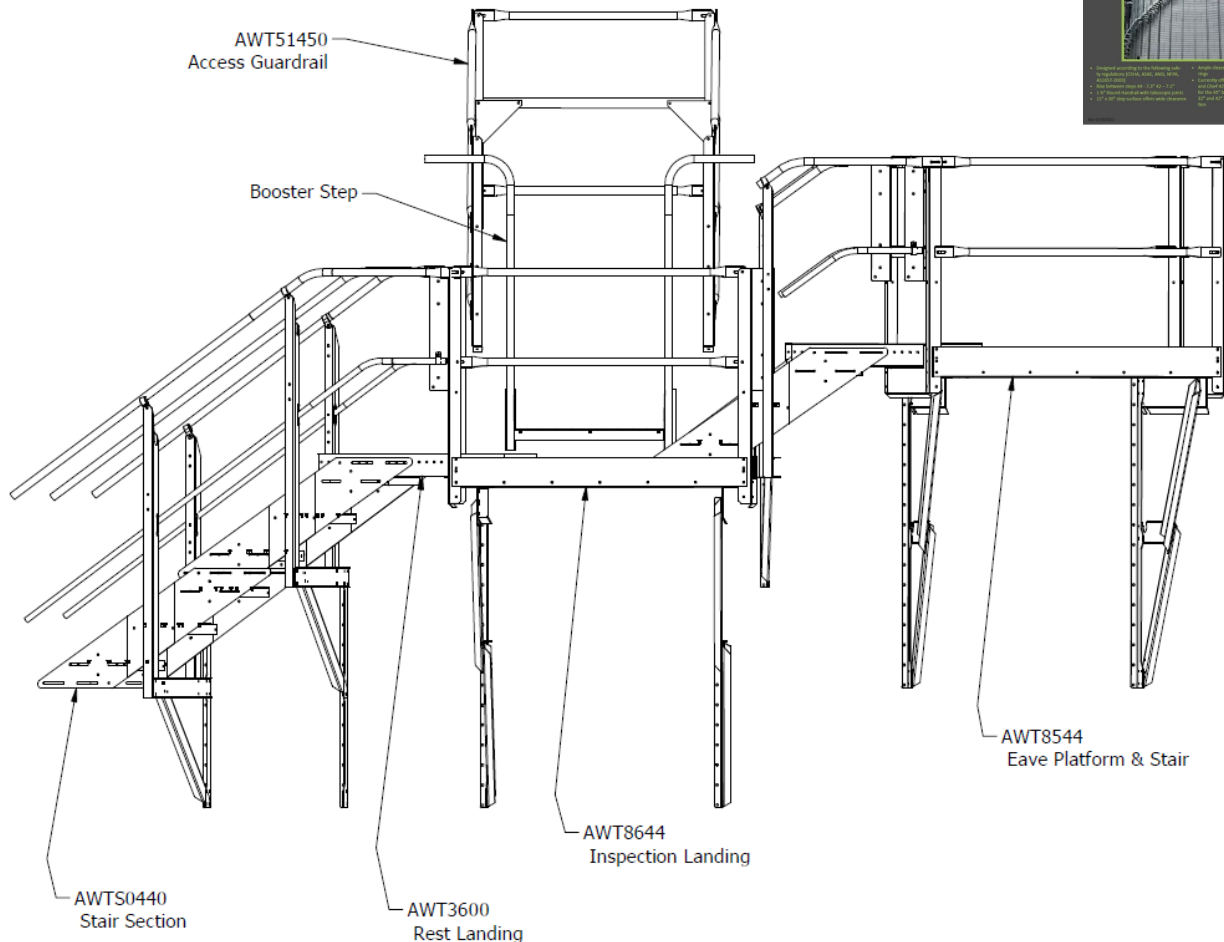
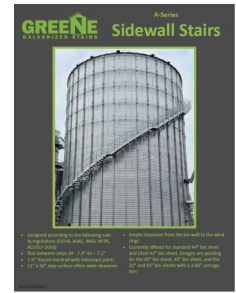
32" Bin Sheets with 2.66" Corrugation

With 12—9.375" or 24—4.688" bolt spacing

Ordering Information: Last two digits of package number indicates number of rings

CC Commercial Duty Package Rest Landings every 8 Rings					CF Farm Duty Packages No Rest Landings No inside rail or guard rail				
32" Ring Eave Ht.	List Price	Weight	Bolt Space Coverage		32" Ring Eave Ht.	List Price	Weight	Bolt Space Coverage	
CC301	2.7	\$ 3,316.00	469	13					
CC304	10.7	\$ 5,443.00	823	25	CF304	10.7	\$ 3,105.00	502	21
CC305	13.3	\$ 6,152.00	941	29	CF305	13.3	\$ 3,678.00	597	25
CC306	16.0	\$ 6,861.00	1,059	33	CF306	16.0	\$ 4,251.00	692	29
CC307	18.7	\$ 8,300.00	1,279	39	CF307	18.7	\$ 4,824.00	787	33
CC308	21.4	\$ 9,009.00	1,397	43	CF308	21.4	\$ 5,397.00	882	37
CC309	24.0	\$ 9,718.00	1,515	47	CF309	24.0	\$ 5,970.00	977	41
CC310	26.7	\$ 10,427.00	1,633	51	CF310	26.7	\$ 6,543.00	1072	45
CC311	29.4	\$ 11,136.00	1,751	55	CF311	29.4	\$ 7,116.00	1167	49
CC312	32.0	\$ 11,845.00	1,869	59	CF312	32.0	\$ 7,689.00	1262	53
CC313	34.7	\$ 13,284.00	2,089	65	CF313	34.7	\$ 8,262.00	1357	57
CC314	37.4	\$ 13,993.00	2,207	69	CF314	37.4	\$ 8,835.00	1452	61
CC315	40.0	\$ 14,702.00	2,325	73	CF315	40.0	\$ 9,408.00	1547	65
CC316	42.7	\$ 15,411.00	2,443	77	CF316	42.7	\$ 9,981.00	1642	69
CC317	45.4	\$ 16,120.00	2,561	81	CF317	45.4	\$ 10,554.00	1737	73
CC318	48.1	\$ 16,829.00	2,679	85	CF318	48.1	\$ 11,127.00	1832	77
CC319	50.7	\$ 18,268.00	2,899	91	CF319	50.7	\$ 11,700.00	1927	81
CC320	53.4	\$ 18,977.00	3,017	95	CF320	53.4	\$ 12,273.00	2022	85
CC321	56.1	\$ 19,686.00	3,135	99	CF321	56.1	\$ 12,846.00	2117	89
CC322	58.7	\$ 20,395.00	3,253	103	CF322	58.7	\$ 13,419.00	2212	93
CC323	61.4	\$ 21,104.00	3,371	107	CF323	61.4	\$ 13,992.00	2307	97
CC324	64.1	\$ 21,813.00	3,489	111	CF324	64.1	\$ 14,565.00	2402	101
CC325	66.7	\$ 23,252.00	3,709	117	CF325	66.7	\$ 15,138.00	2497	105
CC326	69.4	\$ 23,961.00	3,827	121	CF326	69.4	\$ 15,711.00	2592	109
CC327	72.1	\$ 24,670.00	3,945	125	CF327	72.1	\$ 16,284.00	2687	113
CC328	74.8	\$ 25,379.00	4,063	129	CF328	74.8	\$ 16,857.00	2782	117
CC329	77.4	\$ 26,088.00	4,181	133	CF329	77.4	\$ 17,430.00	2877	121
CC330	80.1	\$ 26,797.00	4,299	137	CF330	80.1	\$ 18,003.00	2972	125
CC331	82.8	\$ 28,236.00	4,519	143	CF331	82.8	\$ 18,576.00	3067	129
CC332	85.4	\$ 28,945.00	4,637	147	CF332	85.4	\$ 19,149.00	3162	133
CC333	88.1	\$ 29,654.00	4,755	151	CF333	88.1	\$ 19,722.00	3257	137
CC334	90.8	\$ 30,363.00	4,873	155	CF334	90.8	\$ 20,295.00	3352	141
CC335	93.4	\$ 31,273.62	5,019	160	CF335	93.4	\$ 20,868.00	3447	145
CC336	96.1	\$ 32,105.15	5,154	164	CF336	96.1	\$ 21,441.00	3542	149
CC337	98.8	\$ 32,936.69	5,289	168	CF337	98.8	\$ 22,014.00	3637	153
CC338	101.5	\$ 33,768.23	5,425	173	CF338	101.5	\$ 22,587.00	3732	157
CC339	104.1	\$ 34,599.76	5,560	177	CF339	104.1	\$ 23,160.00	3827	161
CC340	106.8	\$ 35,431.30	5,695	181	CF340	106.8	\$ 23,733.00	3922	165

A-Series Sidewall Stairs



Ordering Information: *The A-Series Sidewall Stairs are offered in 5 different sizes. The individual units are listed below, replace the 44 with the ring height as seen on the following pages. 1 1/2" Round Handrail with Telescopic joints. 11" x 30" step surface offers wide clearance, and ample clearance from the bin wall to the wind rings.*

NOTE: *Stairs for the stem wall ARE NOT figured into A-Series packages. Call for more information.*

Item	Description	List Price	Weight
AWTS0440	A-Series Stair Section	\$782.00	124lbs
AWT3600	Stair Rest Landing	\$456.00	69lbs
AWT8644	Inspection Rest Landing	\$2,509.00	392lbs
AWT8544	Eave Platform	\$2,509.00	392lbs
AWT51450	Access Guardrail, Roof Inspection Portal	\$620.00	102lbs
AWTS8844	A-Series Hi Lo Roof Stair Termination Package	\$6,421.00	1010lbs
AWTS8944	A-Series End Platform	\$2,509.00	392lbs
ASG300	A-Series Sidewall Gate, Yellow - figure on pg. 17	\$418.00	38lbs

A-Series Sidewall Stairs

44" Bin Sheets with 4" corrugation

With 12—9.375" or 24—4.688" bolt spacing

Ordering Information: Last two digits of package number indicates number of rings

Includes a rest landing every 3
rings or 18 steps.

				AWTS0440	AWT8544	AWT8644	AWT3600	AWT51450
			List Price:	\$782.00	\$2,509.00	\$2,509.00	\$456.00	\$620.00
			Weight:	124	392	392	69	102
Part #	# of Rings	44" ring Eave Height	List Price	Weight				
AWTS402	2	7.3	\$5,637.00	888	4	1		
AWTS403	3	11.0	\$7,201.00	1136	6	1		
AWTS404	4	14.7	\$9,221.00	1453	8	1	1	
AWTS405	5	18.3	\$13,914.00	2195	10	1	1	1
AWTS406	6	22.0	\$15,478.00	2443	12	1	1	1
AWTS407	7	25.7	\$17,042.00	2691	14	1	1	1
AWTS408	8	29.3	\$19,062.00	3008	16	1	1	2
AWTS409	9	33.0	\$20,626.00	3256	18	1	1	2
AWTS410	10	36.7	\$22,190.00	3504	20	1	1	2
AWTS411	11	40.3	\$24,210.00	3821	22	1	1	3
AWTS412	12	44.0	\$25,774.00	4069	24	1	1	3
AWTS413	13	47.7	\$27,338.00	4317	26	1	1	3
AWTS414	14	51.3	\$29,358.00	4634	28	1	1	4
AWTS415	15	55.0	\$30,922.00	4882	30	1	1	4
AWTS416	16	58.7	\$32,486.00	5130	32	1	1	4
AWTS417	17	62.3	\$34,506.00	5447	34	1	1	5
AWTS418	18	66.0	\$36,070.00	5695	36	1	1	5
AWTS419	19	69.7	\$37,634.00	5943	38	1	1	5
AWTS420	20	73.3	\$39,654.00	6260	40	1	1	6
AWTS421	21	77.0	\$41,218.00	6508	42	1	1	6
AWTS422	22	80.7	\$42,782.00	6756	44	1	1	6
AWTS423	23	84.3	\$44,802.00	7073	46	1	1	7
AWTS424	24	88.0	\$46,366.00	7321	48	1	1	7
AWTS425	25	91.7	\$47,930.00	7569	50	1	1	7
AWTS426	26	95.3	\$49,950.00	7886	52	1	1	8
AWTS427	27	99.0	\$51,514.00	8134	54	1	1	8
AWTS428	28	102.7	\$53,078.00	8382	56	1	1	8
AWTS429	29	106.3	\$55,098.00	8699	58	1	1	9
AWTS430	30	110.0	\$56,662.00	8947	60	1	1	9
AWTS431	31	113.7	\$58,226.00	9195	62	1	1	9
AWTS432	32	117.3	\$60,246.00	9512	64	1	1	10
AWTS433	33	121.0	\$61,810.00	9760	66	1	1	10
AWTS434	34	124.7	\$63,374.00	10008	68	1	1	10
AWTS435	35	128.3	\$65,394.00	10325	70	1	1	11

A-Series Sidewall Stairs

Chief 42" Bin Sheets with 4.714" corrugation

With 12—9.719" or 24—4.86" bolt spacing

Ordering Information: Last two digits of package number indicates number of rings

Includes a rest landing every 3 rings or 18 steps.		AWTC0420	AWT8542	AWT8642	AWT3600	AWT51450
	List Price:	\$782.00	\$2,509.00	\$2,509.00	\$456.00	\$620.00
	Weight:	124	392	392	69	102

	# of Rings	42" ring Eave Height	List Price	Weight					
AWTC202	2	7.0	\$5,637.00	888	4	1			
AWTC203	3	10.5	\$7,201.00	1136	6	1			
AWTC204	4	14.0	\$9,221.00	1453	8	1		1	
AWTC205	5	17.5	\$13,914.00	2195	10	1	1	1	1
AWTC206	6	21.0	\$15,478.00	2443	12	1	1	1	1
AWTC207	7	24.5	\$17,042.00	2691	14	1	1	1	1
AWTC208	8	28.0	\$19,062.00	3008	16	1	1	2	1
AWTC209	9	31.5	\$20,626.00	3256	18	1	1	2	1
AWTC2010	10	35.0	\$22,190.00	3504	20	1	1	2	1
AWTC2011	11	38.5	\$24,210.00	3821	22	1	1	3	1
AWTC2012	12	42.0	\$25,774.00	4069	24	1	1	3	1
AWTC2013	13	45.5	\$27,338.00	4317	26	1	1	3	1
AWTC2014	14	49.0	\$29,358.00	4634	28	1	1	4	1
AWTC2015	15	52.5	\$30,922.00	4882	30	1	1	4	1
AWTC2016	16	56.0	\$32,486.00	5130	32	1	1	4	1
AWTC2017	17	59.5	\$34,506.00	5447	34	1	1	5	1
AWTC2018	18	63.0	\$36,070.00	5695	36	1	1	5	1
AWTC2019	19	66.5	\$37,634.00	5943	38	1	1	5	1
AWTC2020	20	77.0	\$39,654.00	6260	40	1	1	6	1
AWTC2021	21	73.5	\$41,218.00	6508	42	1	1	6	1
AWTC2022	22	77.0	\$42,782.00	6756	44	1	1	6	1
AWTC2023	23	80.5	\$44,802.00	7073	46	1	1	7	1
AWTC2024	24	84.0	\$46,366.00	7321	48	1	1	7	1
AWTC2025	25	87.5	\$47,930.00	7569	50	1	1	7	1
AWTC2026	26	91.0	\$49,950.00	7886	52	1	1	8	1
AWTC2027	27	94.5	\$51,514.00	8134	54	1	1	8	1
AWTC2028	28	98.0	\$53,078.00	8382	56	1	1	8	1
AWTC2029	29	101.5	\$55,098.00	8699	58	1	1	9	1
AWTC2030	30	105.0	\$56,662.00	8947	60	1	1	9	1
AWTC2031	31	108.5	\$58,226.00	9195	62	1	1	9	1
AWTC2032	32	112.0	\$60,246.00	9512	64	1	1	10	1
AWTC2033	33	115.5	\$61,810.00	9760	66	1	1	10	1
AWTC2034	34	119.0	\$63,374.00	10008	68	1	1	10	1
AWTC2035	35	122.5	\$65,394.00	10325	70	1	1	11	1

A-Series Sidewall Stairs

32" Bin Sheets with 2.66" Corrugation

With 12—9.375" or 24—4.688" bolt spacing

Ordering Information: Last two digits of package number indicates number of rings

Includes a rest landing every 3
rings or 18 steps.

				AWTS0320	AWTS0321	AWT8526	AWT8626	AWT3600	AWT51450
			List Price:	\$782.00	\$782.00	\$2,509.00	\$2,509.00	\$456.00	\$620.00
			Weight:	121	121	392	392	69	102
	# of 32" Ring Rings	Eave Ht.	List Price	Weight					
AWTS302	2	5.3	\$4,855.00	755	3		1		
AWTS303	3	8.0	\$5,637.00	876	3	1	1		
AWTS304	4	10.7	\$7,201.00	1118	6		1		
AWTS305	5	13.3	\$11,568.00	1802	6	1	1	1	1
AWTS306	6	16.0	\$13,132.00	2044	9		1	1	1
AWTS307	7	18.7	\$13,914.00	2165	9	1	1	1	1
AWTS308	8	21.4	\$15,478.00	2407	12		1	1	1
AWTS309	9	24.0	\$16,716.00	2597	12	1	1	1	2
AWTS310	10	26.7	\$18,280.00	2839	15		1	1	2
AWTS311	11	29.4	\$19,062.00	2960	15	1	1	1	2
AWTS312	12	32.0	\$20,626.00	3202	18		1	1	2
AWTS313	13	34.7	\$21,864.00	3392	18	1	1	1	3
AWTS314	14	37.4	\$23,428.00	3634	21		1	1	3
AWTS315	15	40.0	\$24,210.00	3755	21	1	1	1	3
AWTS316	16	42.7	\$25,774.00	3997	24		1	1	3
AWTS317	17	45.4	\$27,012.00	4187	24	1	1	1	4
AWTS318	18	48.1	\$28,576.00	4429	27		1	1	4
AWTS319	19	50.7	\$29,358.00	4550	27	1	1	1	4
AWTS320	20	53.4	\$30,922.00	4792	30		1	1	4
AWTS321	21	56.1	\$32,160.00	4982	30	1	1	1	5
AWTS322	22	58.7	\$33,724.00	5224	33		1	1	5
AWTS323	23	61.4	\$34,506.00	5345	33	1	1	1	5
AWTS324	24	64.1	\$36,070.00	5587	36		1	1	5
AWTS325	25	66.7	\$37,308.00	5777	36	1	1	1	6
AWTS326	26	69.4	\$38,872.00	6019	39		1	1	6
AWTS327	27	72.1	\$39,654.00	6140	39	1	1	1	6
AWTS328	28	74.8	\$41,218.00	6382	42		1	1	6
AWTS329	29	77.4	\$42,456.00	6572	42	1	1	1	7
AWTS330	30	80.1	\$44,020.00	6814	45		1	1	7
AWTS331	31	82.8	\$44,802.00	6935	45	1	1	1	7
AWTS332	32	85.4	\$46,366.00	7177	48		1	1	7
AWTS333	33	88.1	\$47,604.00	7367	48	1	1	1	8
AWTS334	34	90.8	\$49,168.00	7609	51		1	1	8
AWTS335	35	93.4	\$49,950.00	7730	51	1	1	1	8

A-Series Sidewall Stairs

Behlen 1M Bin Sheets with 3.28" corrugation

With 30—4.123" bolt spacing

Ordering Information: Last two digits of package number indicates number of rings

Includes a rest landing every 3					AWTM0390	AWTM0391	AWT8539	AWT8639	AWT3900	AWT51450	
rings or 18 steps.					List Price:	\$782.00	\$782.00	\$2,509.00	\$2,509.00	\$456.00	\$620.00
					Weight:	121	211	392	392	69	102
	# of	1M Ring									
	Rings	Eave Ht.	List Price	Weight							
AWTM902	2	6.6	\$4,855.00	755	3		1				
AWTM903	3	9.8	\$5,637.00	966	3	1	1				
AWTM904	4	13.1	\$7,201.00	1118	6		1				
AWTM905	5	16.4	\$11,568.00	1892	6	1	1	1	1	1	1
AWTM906	6	19.6	\$13,132.00	2044	9		1	1	1	1	1
AWTM907	7	22.9	\$13,914.00	2255	9	1	1	1	1	1	1
AWTM908	8	26.2	\$15,478.00	2407	12		1	1	1	1	1
AWTM909	9	29.4	\$16,716.00	2687	12	1	1	1	2	1	1
AWTM910	10	32.7	\$18,280.00	2839	15		1	1	2	1	1
AWTM911	11	36.0	\$19,062.00	3050	15	1	1	1	2	1	1
AWTM912	12	39.3	\$20,626.00	3202	18		1	1	2	1	1
AWTM913	13	42.5	\$21,864.00	3482	18	1	1	1	3	1	1
AWTM914	14	45.8	\$23,428.00	3634	21		1	1	3	1	1
AWTM915	15	49.1	\$24,210.00	3845	21	1	1	1	3	1	1
AWTM916	16	52.3	\$25,774.00	3997	24		1	1	3	1	1
AWTM917	17	55.6	\$27,012.00	4277	24	1	1	1	4	1	1
AWTM918	18	58.9	\$28,576.00	4429	27		1	1	4	1	1
AWTM919	19	62.1	\$29,358.00	4640	27	1	1	1	4	1	1
AWTM920	20	65.4	\$30,922.00	4792	30		1	1	4	1	1
AWTM921	21	68.7	\$32,160.00	5072	30	1	1	1	5	1	1
AWTM922	22	72.0	\$33,724.00	5224	33		1	1	5	1	1
AWTM923	23	75.2	\$34,506.00	5435	33	1	1	1	5	1	1
AWTM924	24	78.5	\$36,070.00	5587	36		1	1	5	1	1
AWTM925	25	81.8	\$37,308.00	5867	36	1	1	1	6	1	1
AWTM926	26	85.0	\$38,872.00	6019	39		1	1	6	1	1
AWTM927	27	88.3	\$39,654.00	6230	39	1	1	1	6	1	1
AWTM928	28	91.6	\$41,218.00	6382	42		1	1	6	1	1
AWTM929	29	94.8	\$42,456.00	6662	42	1	1	1	7	1	1
AWTM930	30	98.1	\$44,020.00	6814	45		1	1	7	1	1
AWTM931	31	101.4	\$44,802.00	7025	45	1	1	1	7	1	1
AWTM932	32	104.7	\$46,366.00	7177	48		1	1	7	1	1
AWTM933	33	107.9	\$47,604.00	7457	48	1	1	1	8	1	1
AWTM934	34	111.2	\$49,168.00	7609	51		1	1	8	1	1
AWTM935	35	114.5	\$49,950.00	7820	51	1	1	1	8	1	1

A-Series Sidewall Stairs

42" Bin Sheets with 2.66" corrugation

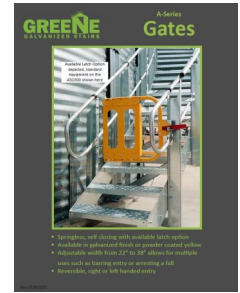
With 12—9.375" or 24—4.688" bolt spacing

Ordering Information: Last two digits of package number indicates number of rings

Includes a rest landing every 3
rings or 18 steps.

				AWTS0420	AWT8526	AWT8626	AWT3600	AWT51450
			List Price:	\$782.00	\$2,509.00	\$2,509.00	\$456.00	\$620.00
			Weight:	121	392	392	69	102
# of Rings	42" Ring Eave Height	List Price	Weight					
AWTS202	2	7.0	\$5,637.00	876	4	1		
AWTS203	3	10.5	\$7,201.00	1118	6	1		
AWTS204	4	14.0	\$9,221.00	1429	8	1	1	
AWTS205	5	17.5	\$13,914.00	2165	10	1	1	1
AWTS206	6	21.0	\$15,478.00	2407	12	1	1	1
AWTS207	7	24.5	\$17,042.00	2649	14	1	1	1
AWTS208	8	28.0	\$19,062.00	2960	16	1	1	2
AWTS209	9	31.5	\$20,626.00	3202	18	1	1	2
AWTS210	10	35.0	\$22,190.00	3444	20	1	1	2
AWTS211	11	38.5	\$24,210.00	3755	22	1	1	3
AWTS212	12	42.0	\$25,774.00	3997	24	1	1	3
AWTS213	13	45.5	\$27,338.00	4239	26	1	1	3
AWTS214	14	49.0	\$29,358.00	4550	28	1	1	4
AWTS215	15	52.5	\$30,922.00	4792	30	1	1	4
AWTS216	16	56.0	\$32,486.00	5034	32	1	1	4
AWTS217	17	59.5	\$34,506.00	5345	34	1	1	5
AWTS218	18	63.0	\$36,070.00	5587	36	1	1	5
AWTS219	19	66.5	\$37,634.00	5829	38	1	1	5
AWTS220	20	70.0	\$39,654.00	6140	40	1	1	6
AWTS221	21	73.5	\$41,218.00	6382	42	1	1	6
AWTS222	22	77.0	\$42,782.00	6624	44	1	1	6
AWTS223	23	80.5	\$44,802.00	6935	46	1	1	7
AWTS224	24	84.0	\$46,366.00	7177	48	1	1	7
AWTS225	25	87.5	\$47,930.00	7419	50	1	1	7
AWTS226	26	91.0	\$49,950.00	7730	52	1	1	8
AWTS227	27	94.5	\$51,514.00	7972	54	1	1	8
AWTS228	28	98.0	\$53,078.00	8214	56	1	1	8
AWTS229	29	101.5	\$55,098.00	8525	58	1	1	9
AWTS230	30	105.0	\$56,662.00	8767	60	1	1	9
AWTS231	31	108.5	\$58,226.00	9009	62	1	1	9
AWTS232	32	112.0	\$60,246.00	9320	64	1	1	10
AWTS233	33	115.5	\$61,810.00	9562	66	1	1	10
AWTS234	34	119.0	\$63,374.00	9804	68	1	1	10
AWTS235	35	122.5	\$65,394.00	10115	70	1	1	11

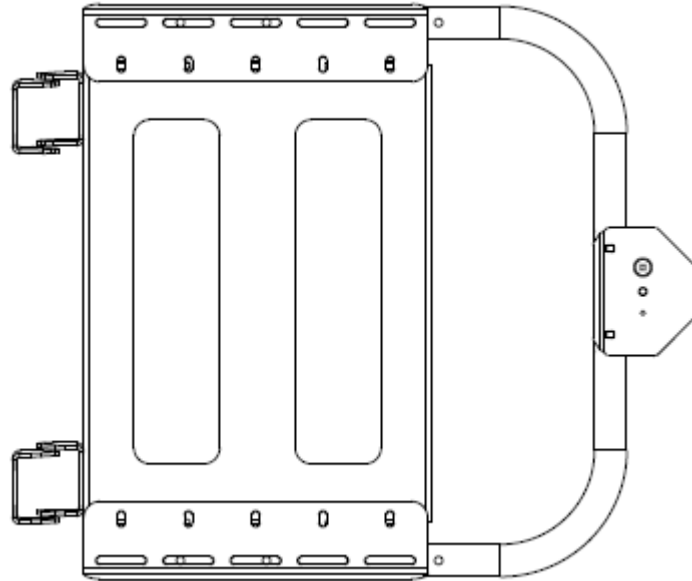
A-Series Gates



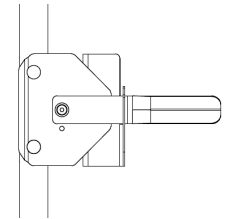
Gate Wall
Base
A



Hinge Gate
Mount
B



Gate
C

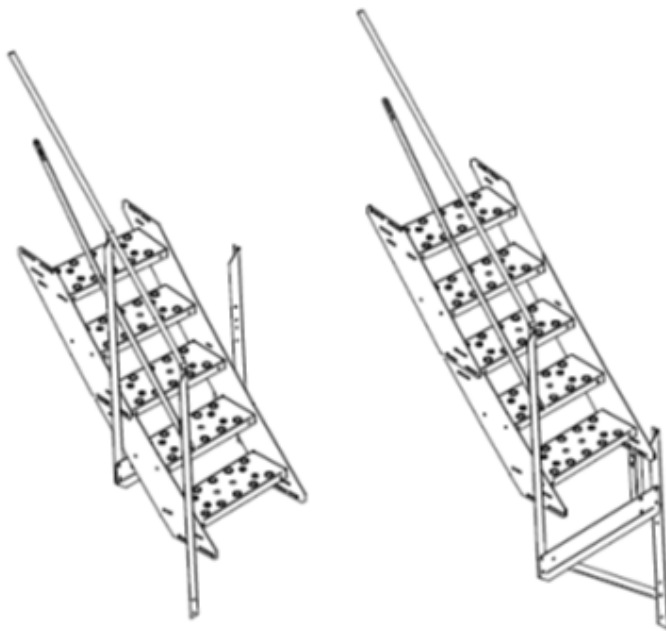


ASG010
Gate Latch
D

Ordering Information: *Springless, self closing with available latch option. Available in galvanized finish or powder coated yellow. Adjustable width from 22" to 38" allows for multiple uses such as barring entry or arresting a fall. Reversible, right or left handed entry.*

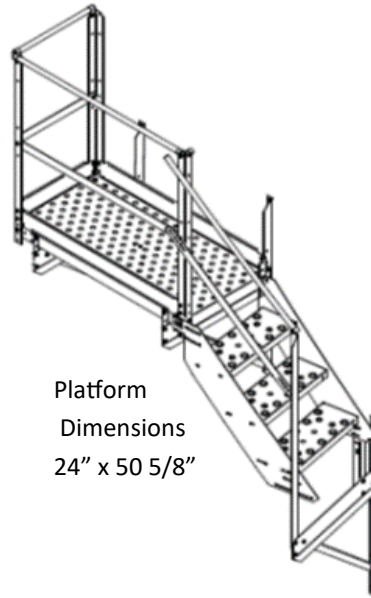
Includes	Item	Description	List Price	Weight
B, C	ASG100	A-Series Self Closing Gate Galvanized	\$ 335.00	38 lbs
A, B, C, D	ASG150	A-Series Sidewall Gate Galvanized	\$ 418.00	50 lbs
B, C	ASG200	A-Series Self Closing Gate Yellow	\$ 418.00	38 lbs
A, B, C, D	ASG250	A-Series Sidewall Gate Yellow	\$ 502.00	50 lbs
C, D	ASG300	A-Series Sidewall Stair Gate, Yellow	\$ 418.00	38 lbs
A, D	ASG050	Gate Wall Mount and Latch Galvanized	\$ 100.00	12 lbs
D	ASG010	Gate Latch	\$ 50.00	6 lbs

Easy Step Sidewall Stairs

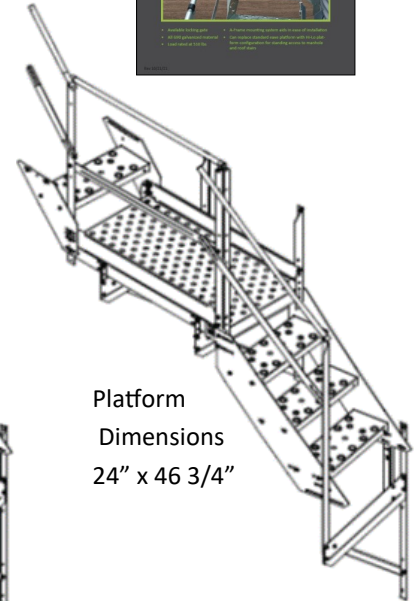


ES4400 Bottom Stair Section

ES4400 Stair Section



Platform Dimensions
24" x 50 5/8"



Platform Dimensions
24" x 46 3/4"

ES3600 Series Intermediate Platform Package

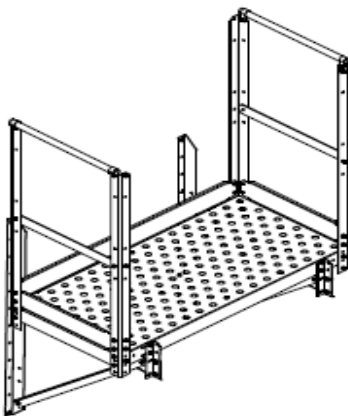
Ordering Information:

- Easy Step stairs feature a 24" wide step that sits 7" from the bin wall.
- Easy Step sidewall stairs fit bins from 24' to 75' in diameter
- For adjacent bins sharing one platform, space bin walls 38" apart, if using a twin platform space 64" apart
- For larger spans refer to page 21 for the use of the Easy Step Filler Platform, ES3748
- Easy Step Platform sits 12" below the eave
- To calculate parts needed, order 1 Stair Platform with Stair Assembly (ES35xx) for the top ring of your bin, and 1 Stair Section for each remaining ring (ESxx00)
- To use an Intermediate Platform, substitute an Intermediate Platform and Stair Assembly for 1 Stair Section (ES36xx).
- Does not meet OSHA regulation 1910.25(C)(3)
- Example: On an 8-ring 44" sheet bin with an Intermediate Platform, use 1-ES3544, 1-ES3644, and 6-ES4400

Item	Description	List Price	Weight	Horizontal Travel	Bolt Spaces	Ring Size	Rise per Step
ES3200	32" Easy Step Stair Section	\$ 512.00	70lbs	32 13/16"	3 1/2	32"	8"
ES3900	39" Easy Step Stair Section	\$ 592.00	82lbs	37 1/8"	9	39"	7.8"
ES4200	42" Easy Step Stair Section	\$ 592.00	82lbs	38 7/8"	4	42"	8.4"
ES4400	44" Easy Step Stair Section	\$ 592.00	84lbs	37 1/2"	4	44"	8.8"
ES4500	45" Easy Step Stair Section	\$ 592.00	82lbs	37 13/16"	4	45"	9"
ASG150	A-Series Sidewall Gate Galvanized	\$ 418.00	38lbs	See figure on pg. 17			
ASG250	A-Series Sidewall Gate, Yellow	\$ 502.00	38lbs	for more detailed information.			

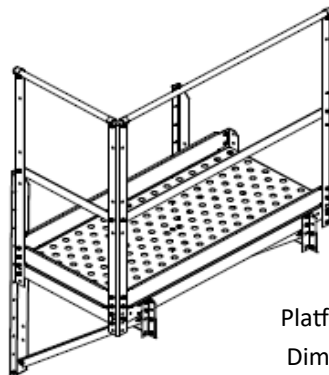
Easy Step Platforms

Item	Description	List Price	Weight	Horizontal Travel	Bolt Spaces	Ring Size	Rise Per Step
ES3532	32" Easy Step Platform & Stair Assy	\$ 1,104.00	130lbs	66"	6	32"	8"
ES3539	39" Easy Step Platform & Stair Assy	\$ 1,317.00	146lbs	68 1/32"	16	39"	7.8"
ES3542	42" Easy Step Platform & Stair Assy	\$ 1,317.00	146lbs	65 5/8"	7	42"	8.4"
ES3544	44" Easy Step Platform & Stair Assy	\$ 1,317.00	146lbs	65 5/8"	7	44"	8.8"
ES3545	45" Easy Step Platform & Stair Assy	\$ 1,317.00	146lbs	66 1/8"	7	45"	9"
ES3632	32" Easy Step Intermediate Platform & Stair Assy	\$ 1,133.00	140lbs	70 5/16"	7 1/2	32"	8"
ES3639	39" Easy Step Intermediate Platform & Stair Assy	\$ 1,173.00	151lbs	74 1/4"	18	39"	7.8"
ES3642	42" Easy Step Intermediate Platform & Stair Assy	\$ 1,173.00	151lbs	77 3/4"	8	42"	8.4"
ES3644	44" Easy Step Intermediate Platform & Stair Assy	\$ 1,173.00	151lbs	75"	8	44"	8.8"
ES3645	45" Easy Step Intermediate Platform & Stair Assy	\$ 1,173.00	151lbs	75 19/32"	8	45"	9"
ES3732	32" Easy Step Twin Platform	\$ 700.00	84lbs	37 1/2"	4	32"	
ES3739	39" Easy Step Twin Platform	\$ 713.00	88lbs	37 1/8"	9	39"	
ES3742	42" Easy Step Twin Platform	\$ 713.00	88lbs	38 7/8"	4	42"	
ES3744	44" Easy Step Twin Platform	\$ 713.00	88lbs	37 1/2"	4	44"	
ES3745	45" Easy Step Twin Platform	\$ 713.00	88lbs	37 13/16"	4	45"	
ES3832	32" Easy Step Ladder Platform	\$ 688.00	85lbs	37 1/2"	4	32"	
ES3839	39" Easy Step Ladder Platform	\$ 721.00	89lbs	37 1/8"	9	39"	
ES3842	42" Easy Step Ladder Platform	\$ 721.00	89lbs	38 7/8"	4	42"	
ES3844	44" Easy Step Ladder Platform	\$ 721.00	89lbs	37 1/2"	4	44"	
ES3845	45" Easy Step Ladder Platform	\$ 721.00	89lbs	37 13/16"	4	45"	
ES3932	32" Easy Step End Platform	\$ 729.00	90lbs	37 1/2"	4	32"	
ES3939	39" Easy Step End Platform	\$ 762.00	94lbs	37 1/8"	9	39"	
ES3942	42" Easy Step End Platform	\$ 762.00	94lbs	38 7/8"	4	42"	
ES3944	44" Easy Step End Platform	\$ 762.00	94lbs	37 1/2"	4	44"	
ES3945	45" Easy Step End Platform	\$ 762.00	94lbs	37 13/16"	4	45"	
ES3748	Twin Platform Filler 48", figure on pg. 21	\$ 470.00	58lbs	48" x 24"	deck dim.		All
ES3850	Easy Step Platform Filler	\$ 197.00	15lbs	18 3/4"	2		All
4040	Platform Filler Plate (field cut)	\$ 284.38	37lbs	48" x 40"	deck dim.		All



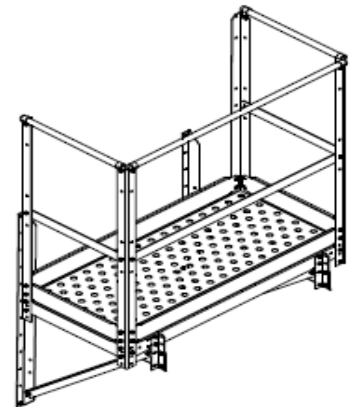
Platform
Dimensions
24" x 50 5/8"

ES3700 Series Twin Platform



Platform
Dimensions
24" x 50 5/8"

ES3800 Series Ladder Platform



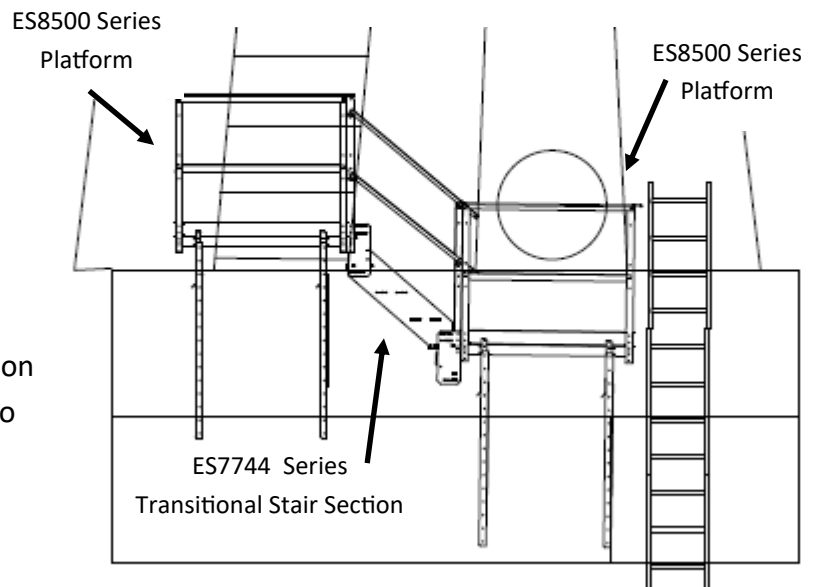
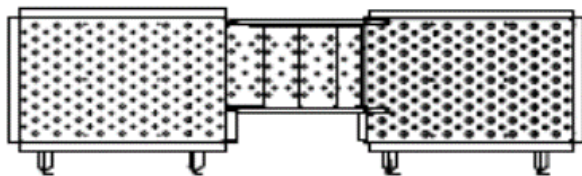
ES3900 Series End Platform

Hi-Lo Roof Stair to Manhole Configuration

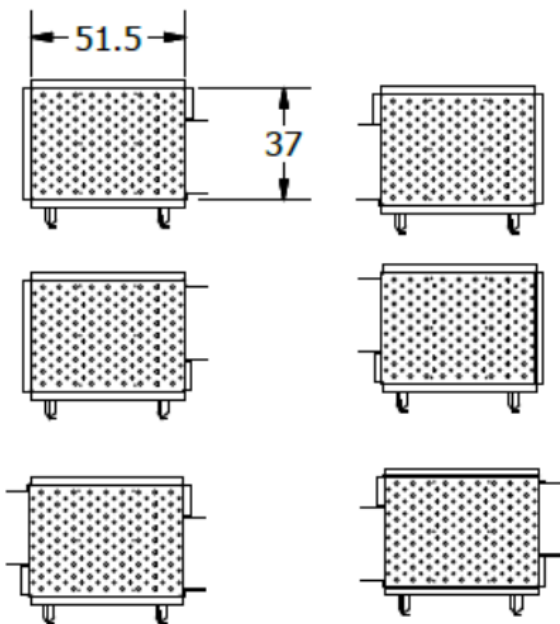
For use on bins 36' in diameter and larger



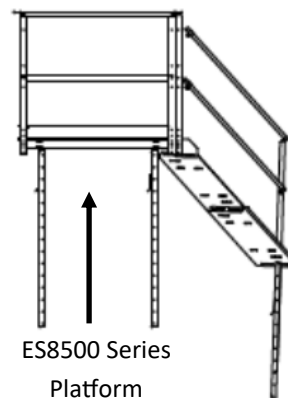
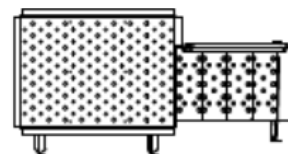
Item	Description	List Price	Weight	Horizontal Travel	Bolt Spaces	Ring Size
ES7442	42" Easy Step Top 4 Step Section	\$592.00	84lbs	38 7/8"	4	42"
ES7444	44" Easy Step Top 4 Step Section	\$592.00	84lbs	37 1/2"	4	44"
ES7744	Transitional Stair Section	\$739.00	105lbs	37 1/2"	4	All
ES8539	39" Easy Step Stair Top High Platform	\$1,477.00	208lbs	37 1/8"	9	39"
ES8542	42" Easy Step Stair Top High Platform	\$1,477.00	204lbs	38 7/8"	4	42"
ES8544	44" Easy Step Stair Top High Platform	\$1,477.00	208lbs	37 1/2"	4	44"
ES8545	45" Easy Step Stair Top High Platform	\$1,477.00	208lbs	37 1/2"	4	45"
ES8850	Platform Filler	\$246.00	22lbs	18 3/4"	2	All



ES7744 is only used as a transitional stair section from Hi to Lo platforms. This configuration is to be utilized by ladder access only.



Overhead view of the various entry options

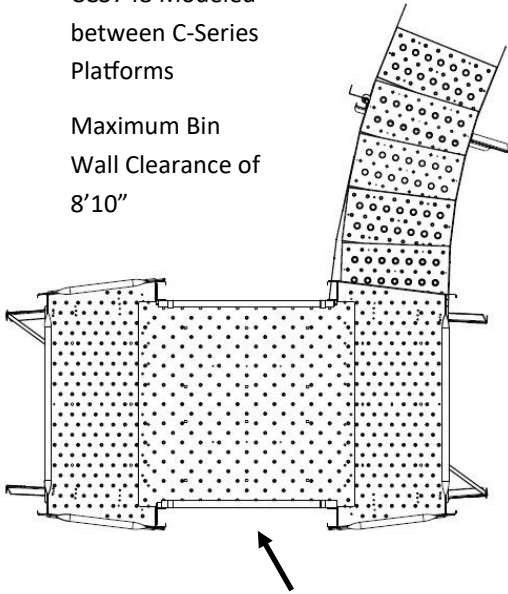


ES744X is used to go from the sidewall stairs to a Hi platform. This sets the platform 4" below the eave.

Platform Illustrations

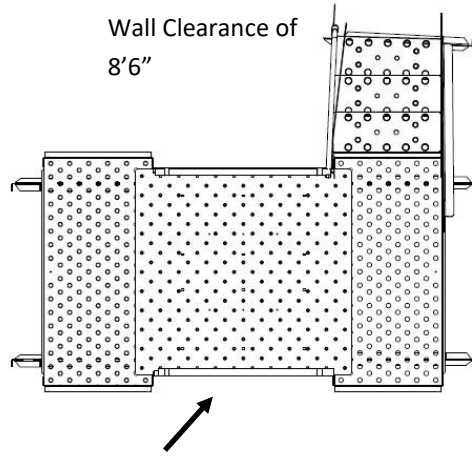
CC3748 Modeled
between C-Series
Platforms

Maximum Bin
Wall Clearance of
8'10"



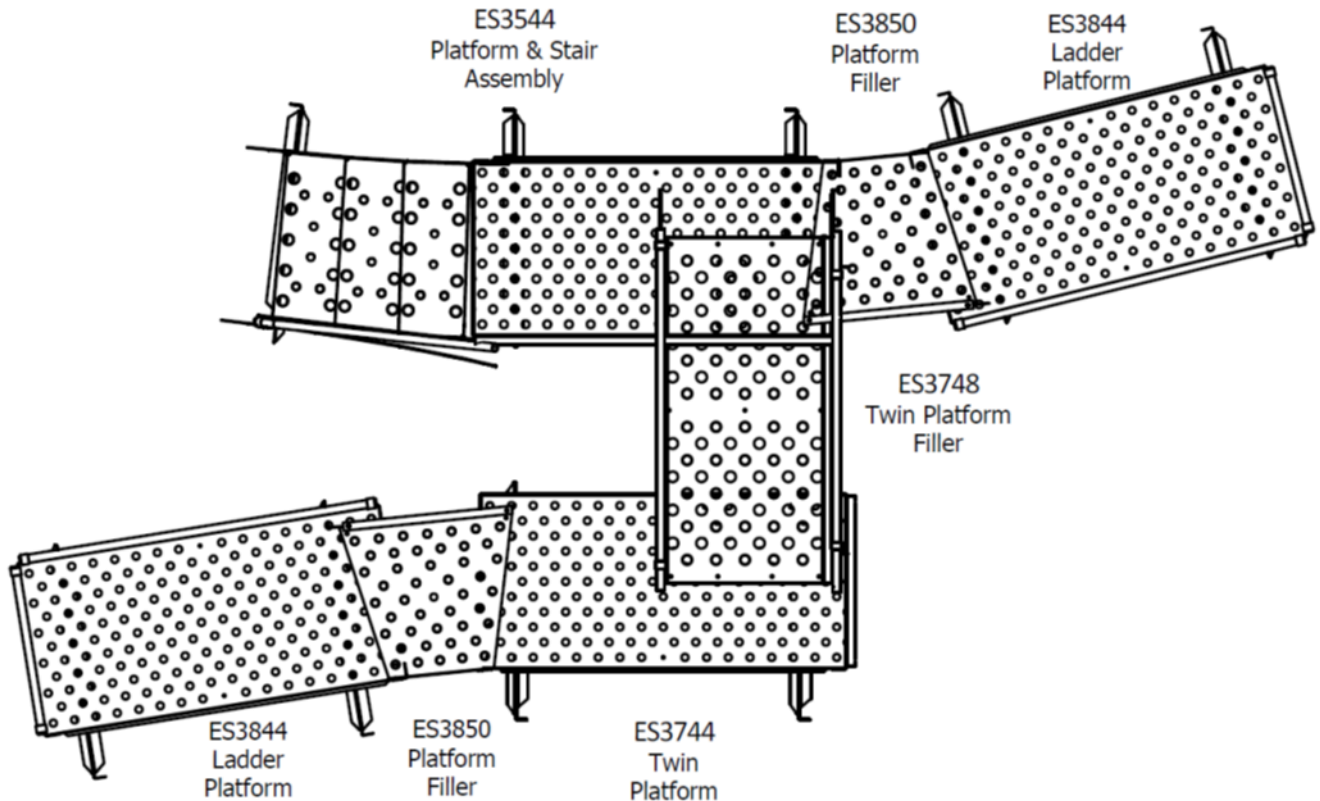
CC3748 Modeled
between Easy
Step Platforms

Maximum Bin
Wall Clearance of
8'6"



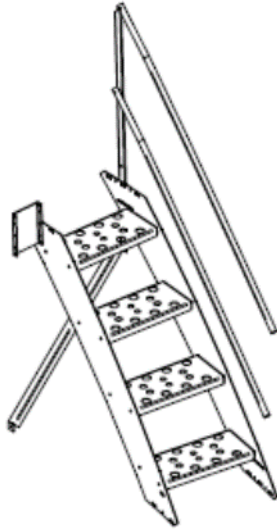
CC3748 Crossover Platform

- Allows for the joining of two bins by connecting two platforms to form a bridge
- Bridge is 46" wide with integrated kickboards providing a 44" walkway
- Can facilitate ascending or descending stair access or additional platforms on either bin
- Can be used on C-Series or Easy Step Sidewall Stair Platforms
- C-Series maximum bin wall to bin wall clearance is 8'10"
- Easy Step maximum bin wall to bin wall clearance is 8'6"
- See pg. 5 for pricing information

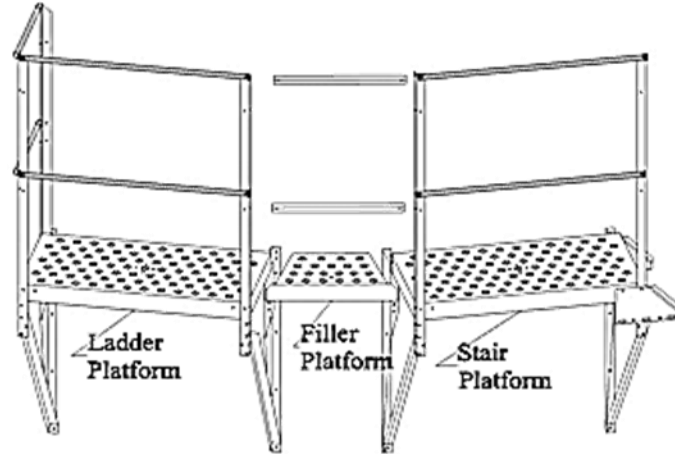


Original Sidewall Stairs

NON STOCKING ITEM • EXPECT 12 WEEK LEAD TIME



14400 Stair Section



38000 Ladder Platform, 38050 Platform Filler, 35000 Stair Platform

Ordering Information:

- Original Sidewall Stairs feature a 20" wide step that sits 6" from the bin wall.
- Original Sidewall Stair packages fit bins from 18' to 105' diameter and are not for commercial use.
- For adjacent bins sharing one platform, space bin walls 32" apart, and 54" if using a twin platform.
- On a standard bin, the stair sections used are determined by the height of the sheet. For a 32" bin sheet, use one 13200 per sheet. For the top two rings, the parts needed are determined by the desired location of the platform, using the chart below.

TOP TWO RINGS

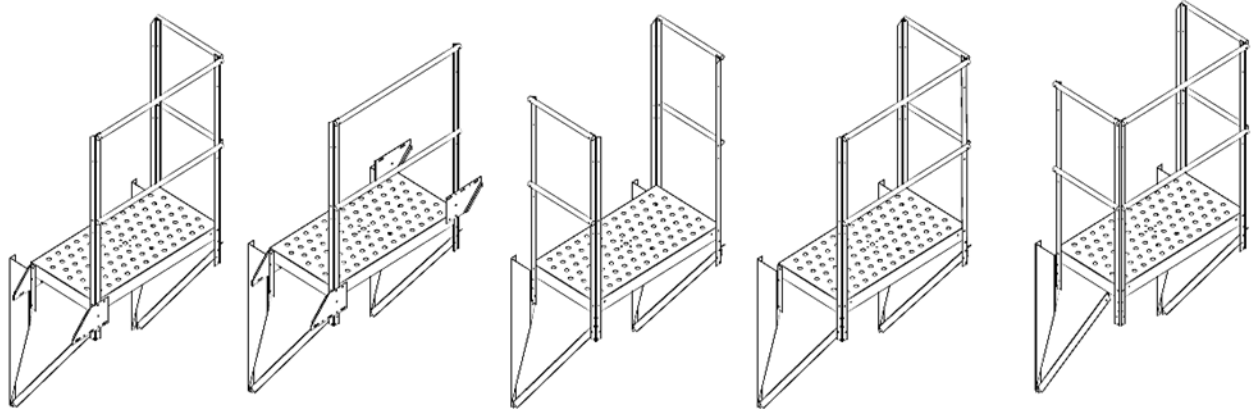
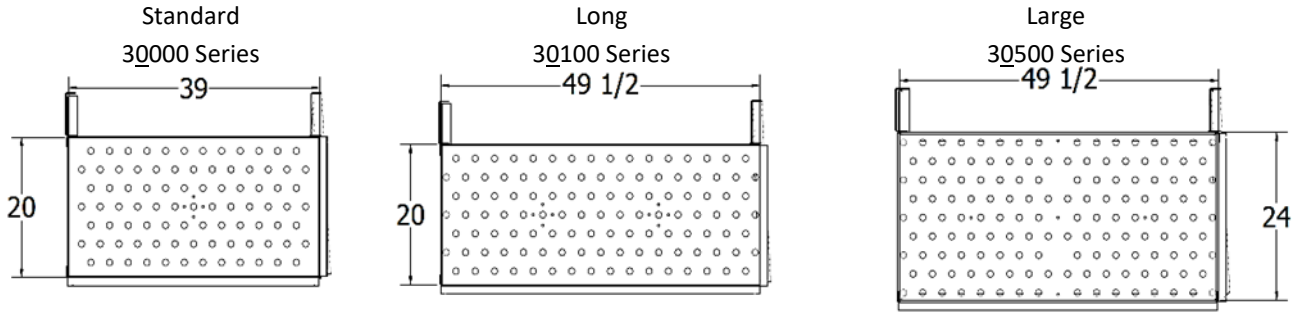
Height of rings	5 1/2" below eave	16" below eave
44"	1-35000 Platform 1-13200 Section 1-14400 Section	1-35000 Platform 1-12100 Section 1-14400 Section
32"	1-35000 Platform 1-12100 Section 1-13200 Section	1-35000 Platform 1-14400 Section

Example: For an 8-ring bin with 32" sheets and a platform 16" below eave, use 1-35000 Platform, 1-14400 Stair Section, and 6-13200 Stair Sections.

Item	Description	List Price	Weight	Horizontal Travel	Bolt Spaces
12100	21" Stair Section	\$295.00	38lbs	18 3/4"	2
13200	32" Stair Section	\$401.00	51lbs	28 1/8"	3
14200	42" Stair Section	\$538.00	64lbs	37 1/2"	4
14400	44" Stair Section	\$538.00	64lbs	37 1/2"	4
40000	Booster Step	\$121.00	8lbs		
45000	Door Step	\$141.00	10lbs		

Original Sidewall Platforms

NON STOCKING ITEM • EXPECT 12 WEEK LEAD TIME



35000 Stair Platform

36000 Intermediate Platform

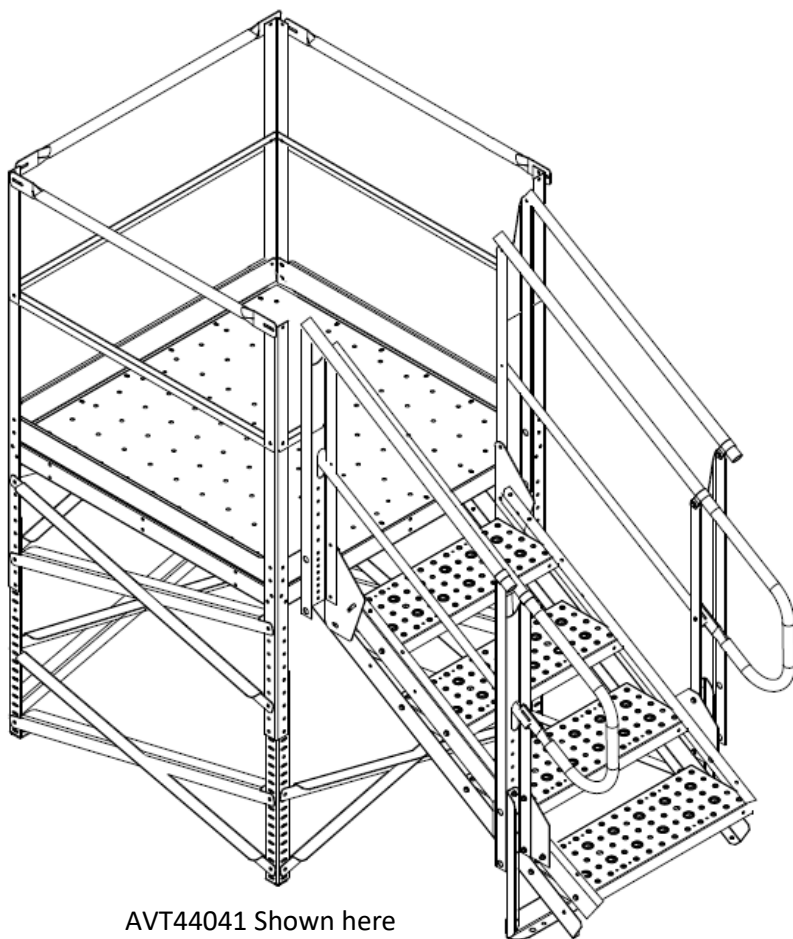
37000 Twin Platform

38000 Ladder Platform

39000 End Platform

Item	Description	List Price	Weight	Horizontal Travel	Bolt Spaces
35000	Standard Stair Platform	\$514.00	64 lbs	37 1/2"	4
35100	Long Stair Platform	\$598.00	74 lbs	46 7/8"	5
36000	Standard Intermediate Platform	\$447.00	60 lbs	37 1/2"	4
36100	Long Intermediate Platform	\$563.00	67 lbs	46 7/8"	5
37000	Standard Twin Platform	\$447.00	62 lbs	37 1/2"	4
37100	Long Twin Platform	\$563.00	68 lbs	46 7/8"	5
37500	Large Twin Platform	\$644.00	84 lbs	46 7/8"	5
38000	Standard Ladder Platform	\$447.00	66 lbs	37 1/2"	4
38100	Long Ladder Platform	\$563.00	69 lbs	46 7/8"	5
38500	Large Ladder Platform	\$644.00	84 lbs	46 7/8"	5
39000	Standard End Platform	\$482.00	69 lbs	37 1/2"	4
39100	Long End Platform	\$598.00	78 lbs	46 7/8"	5
39500	Large End Platform	\$669.00	87 lbs	46 7/8"	5
37048	Twin Platform Filler 48"	\$487.00	58 lbs		
38050	Platform Filler	\$109.00	10 lbs	9 3/8"	1
35002	Kickboard Kit	\$118.00	14 lbs		

A-Series Landing with Variable Stairs

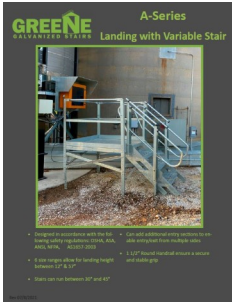


AVT44041 Shown here

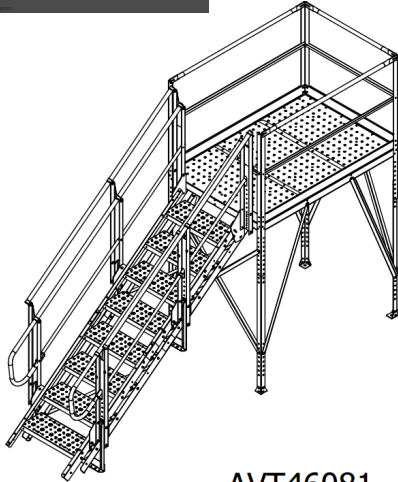
Ordering Information: At a 30° pitch, the step rise is 6.75" and the step run is 11.69". At a 45° pitch the step rise is 9.5" and the step run is 9.5". If needing multiple entries, order (1) AVT0002 and (1) corresponding stair section from page 43 for each additional entry.

For Example: (1) AVT44041 Landing & 4 step
 (1) AVT0002 Entry Kit
 (1) AVT1604 4 step

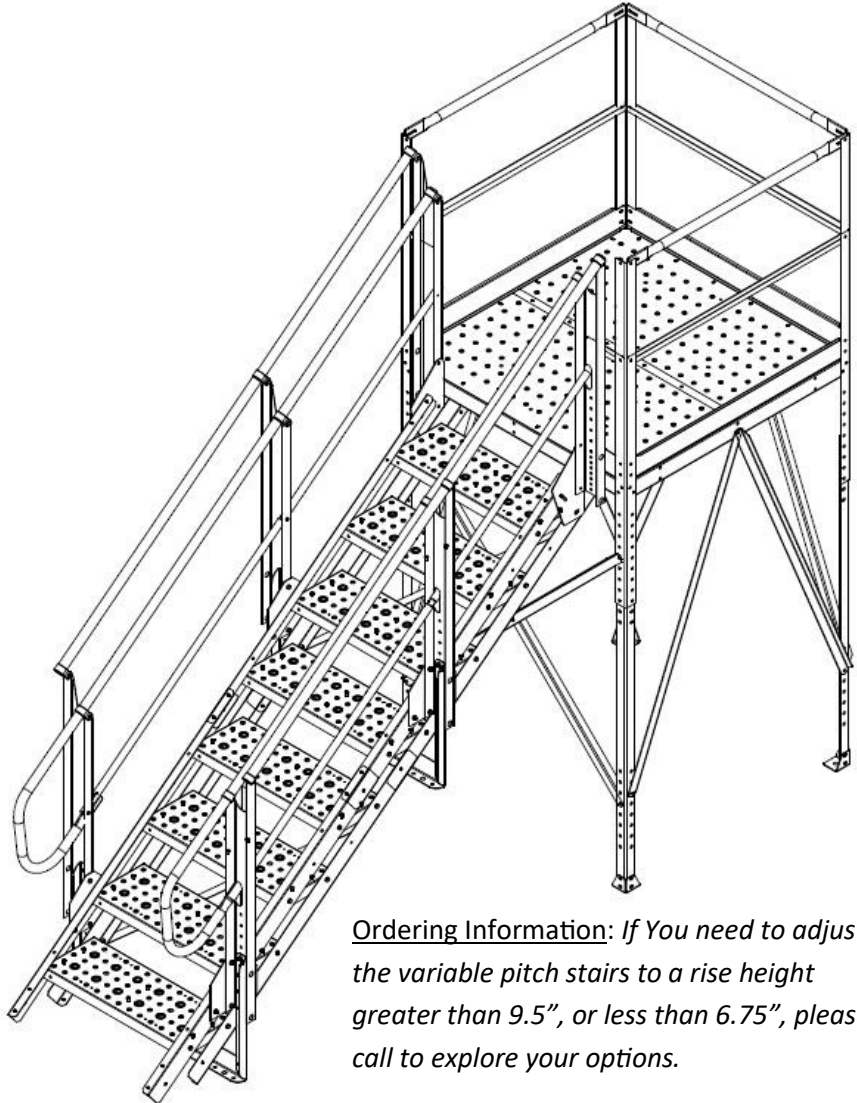
Item	Description	List Price	Weight	Platform Height at 30°	Platform Height at 45°
AVT44001	A-Series 4' x 4' Landing	\$1,157.00	177 lbs	12"	19"
AVT44011	A-Series, 4' x 4' Landing, 1 Step Straight Up Stair Section	\$1,620.00	248 lbs	13.5"	19"
AVT44021	A-Series, 4' x 4' Landing, 2 Step Straight Up Stair Section	\$2,103.00	322 lbs	20.5"	28.5"
AVT44031	A-Series, 4' x 4' Landing, 3 Step Straight Up Stair Section	\$2,286.00	350 lbs	27"	38"
AVT44041	A-Series, 4' x 4' Landing, 4 Step Straight Up Stair Section	\$2,731.00	418 lbs	33.75"	47.5"
AVT44051	A-Series, 4' x 4' Landing, 5 Step Straight Up Stair Section	\$2,913.00	446 lbs	40.5"	57"
AVT0002	Additional A-Series Variable Stair Landing Entry Kit (bottom end rails included)	\$242.00	37 lbs		
ASG100	A-Series Self Closing Gate, Galvanized	\$335.00	38 lbs		



A-Series Truck Probe Service Platform and Stairs



AVT46081



Ordering Information: *If You need to adjust the variable pitch stairs to a rise height greater than 9.5", or less than 6.75", please call to explore your options.*

- *The A-Series Truck Probe Service Platform and Stairs was designed to allow access to elevated truck probes for service or repair*
- *Available with a 4' x 4' or 4' x 6' landing*
- *The 30" x 11" step treads offer a wide clearance between the handrails*
- *1 1/2" round handrails offer a secure and stable grip, with a 42" guardrail and 1" mid-rail*

Item	Description	List Price	Weight
AVT44071	A-Series, 4'x4' Landing, 7 Step Straight Up Stair Section	\$3,291.00	504
AVT44081	A-Series, 4'x4' Landing, 8 Step Straight Up Stair Section	\$3,435.00	526
AVT44091	A-Series, 4'x4' Landing, 9 Step Straight Up Stair Section	\$3,592.00	550
AVT46071	A-Series, 4'x6' Landing, 7 Step Straight Up Stair Section	\$3,804.00	583
AVT46081	A-Series, 4'x6' Landing, 8 Step Straight Up Stair Section	\$3,948.00	605
AVT46091	A-Series, 4'x6' Landing, 9 Step Straight Up Stair Section	\$4,105.00	629

Easy Step Roof Ladder Handrail

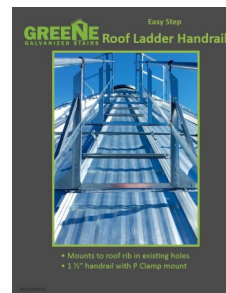
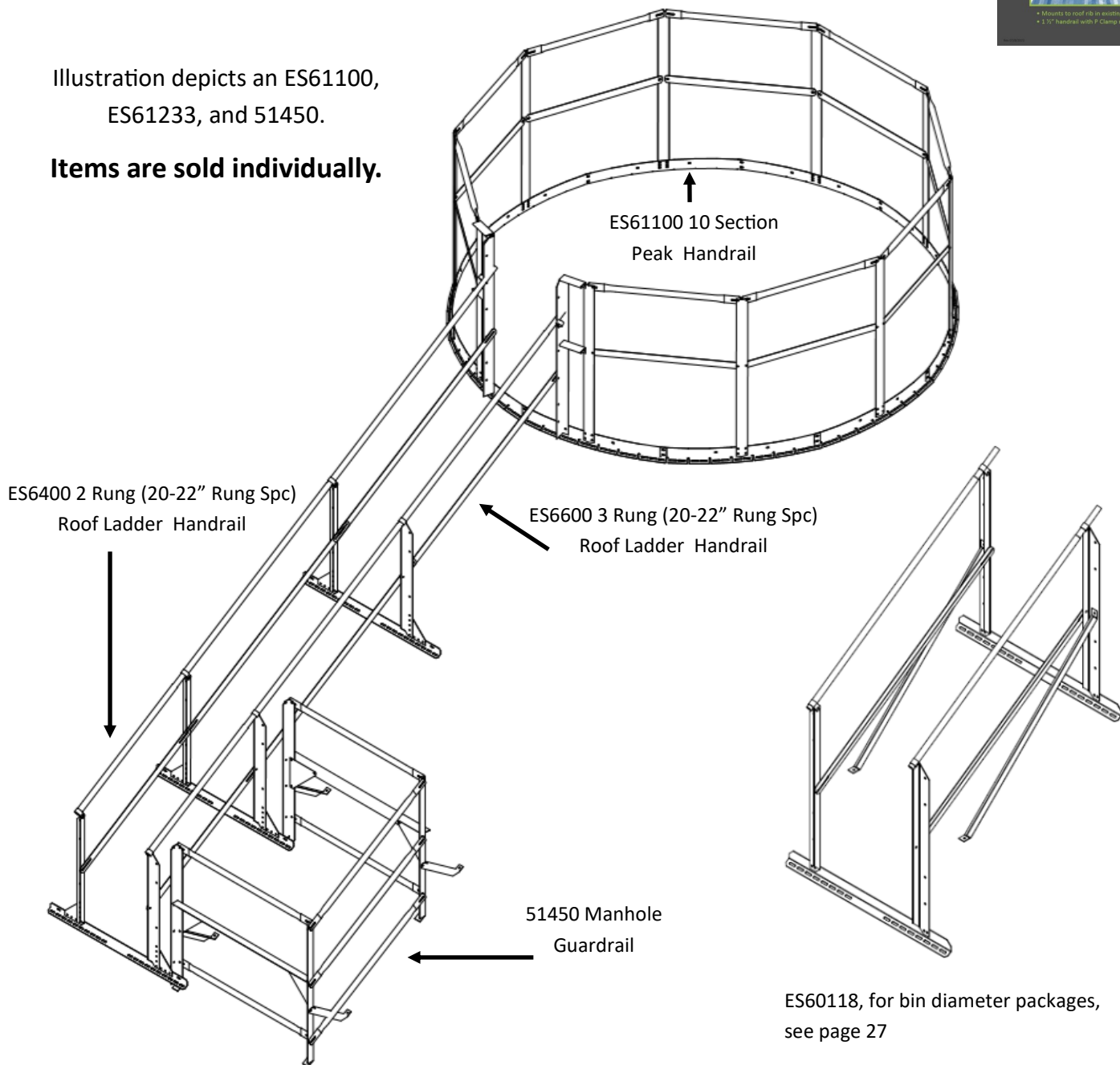


Illustration depicts an ES61100, ES61233, and 51450.

Items are sold individually.



Ordering Information: Easy Step Roof Ladder Handrail sections bolt to the ladder rungs attached on the bin roof between roof ribs. They come in two rung and three rung space lengths.

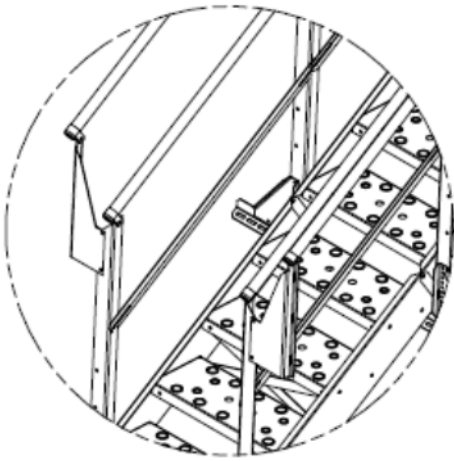
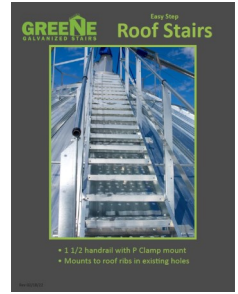
The Roof Ladder Handrail packages are configured for use with the ES61100 or ES51100 peak package. If you are not using a peak safety package, order the next size larger Roof Ladder Handrail package. The ES61500 Top Post Package is included in all Easy Step Roof Ladder Handrail bin packages.

Easy Step Roof Ladder Handrail

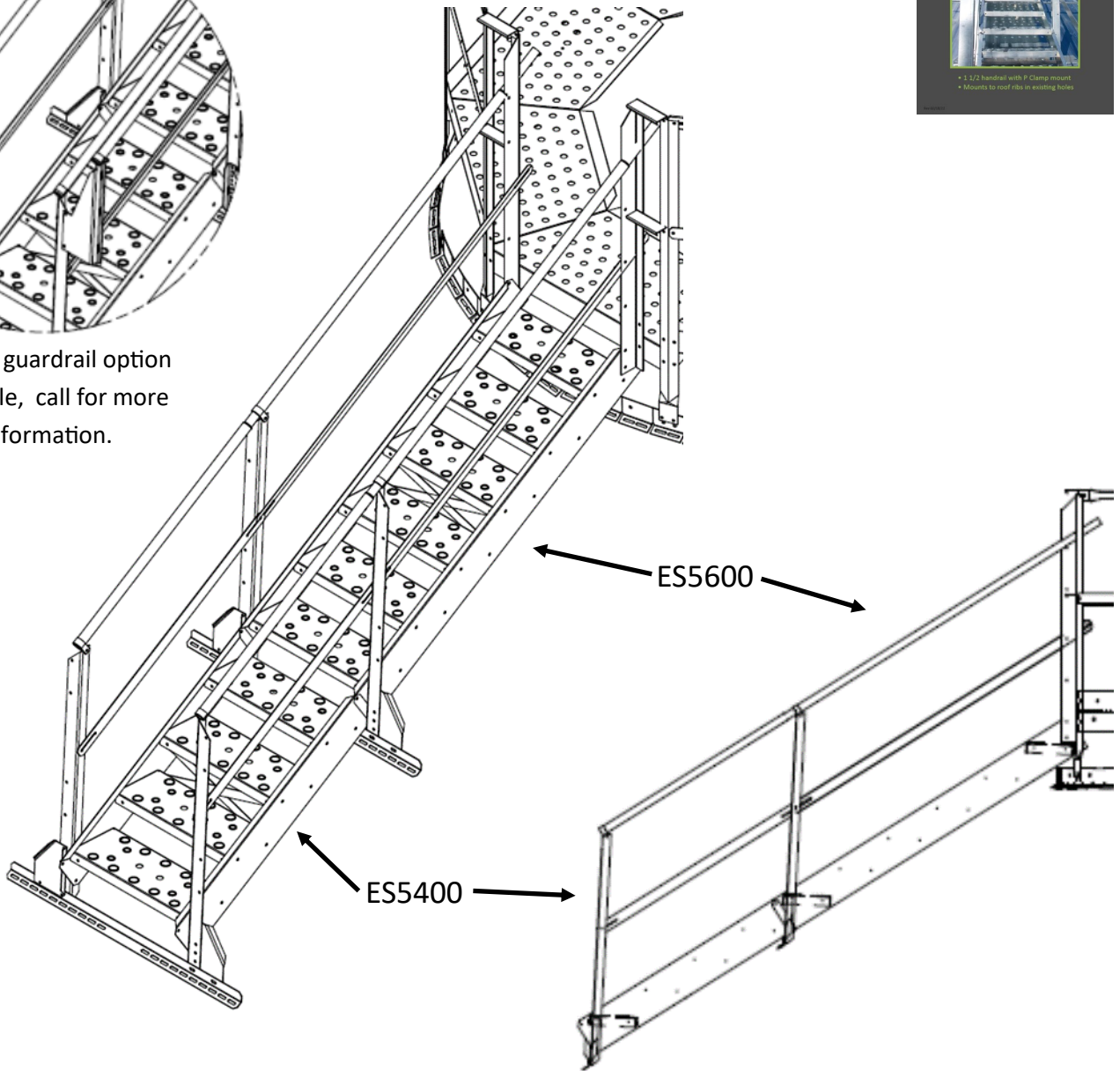
Item	Description	List Price	Weight	No. of Sections		Linear Feet of Run
				2 Rung	3 Rung	
ES61015	15' Easy Step Roof Ladder Handrail	\$450.00	41 lbs	1	0	3.5
ES60118	18' Easy Step Roof Ladder Handrail	\$484.00	44 lbs	0	1	5.2
ES62021	21' Easy Step Roof Ladder Handrail	\$724.00	66 lbs	2	0	7.0
ES61124	24' Easy Step Roof Ladder Handrail	\$757.00	69 lbs	1	1	8.7
ES63027	27' Easy Step Roof Ladder Handrail	\$999.00	91 lbs	3	0	10.5
ES62130	30' Easy Step Roof Ladder Handrail	\$1,033.00	94 lbs	2	1	12.2
ES61233	33' Easy Step Roof Ladder Handrail	\$1,066.00	97 lbs	1	2	14.0
ES63136	36' Easy Step Roof Ladder Handrail	\$1,306.00	119 lbs	3	1	15.7
ES62239	39' Easy Step Roof Ladder Handrail	\$1,340.00	122 lbs	2	2	17.5
ES61342	42' Easy Step Roof Ladder Handrail	\$1,373.00	125 lbs	1	3	19.2
ES63245	45' Easy Step Roof Ladder Handrail	\$1,615.00	147 lbs	3	2	21.0
ES62348	48' Easy Step Roof Ladder Handrail	\$1,649.00	150 lbs	2	3	22.7
ES61451	51' Easy Step Roof Ladder Handrail	\$1,682.00	153 lbs	1	4	24.5
ES63354	54' Easy Step Roof Ladder Handrail	\$1,922.00	175 lbs	3	3	26.2
ES62457	57' Easy Step Roof Ladder Handrail	\$1,956.00	178 lbs	2	4	28.0
ES61560	60' Easy Step Roof Ladder Handrail	\$1,989.00	181 lbs	1	5	29.7
ES63463	63' Easy Step Roof Ladder Handrail	\$2,229.00	203 lbs	3	4	31.5
ES62566	66' Easy Step Roof Ladder Handrail	\$2,263.00	206 lbs	2	5	33.2
ES61669	69' Easy Step Roof Ladder Handrail	\$2,296.00	209 lbs	1	6	35.0
ES63572	72' Easy Step Roof Ladder Handrail	\$2,538.00	231 lbs	3	5	36.7
ES62675	75' Easy Step Roof Ladder Handrail	\$2,572.00	234 lbs	2	6	38.5
ES61778	78' Easy Step Roof Ladder Handrail	\$2,605.00	237 lbs	1	7	40.2
ES63681	81' Easy Step Roof Ladder Handrail	\$2,845.00	259 lbs	3	6	42.0
ES62783	83' Easy Step Roof Ladder Handrail	\$2,879.00	262 lbs	2	7	43.7
ES61886	86' Easy Step Roof Ladder Handrail	\$2,912.00	265 lbs	1	8	45.5
ES63790	90' Easy Step Roof Ladder Handrail	\$3,154.00	287 lbs	3	7	47.2
ES62893	93' Easy Step Roof Ladder Handrail	\$3,188.00	290 lbs	2	8	49.0
ES61996	96' Easy Step Roof Ladder Handrail	\$3,221.00	293 lbs	1	9	50.7
ES63899	99' Easy Step Roof Ladder Handrail	\$3,461.00	315 lbs	3	8	52.5
ES629102	102' Easy Step Roof Ladder Handrail	\$3,495.00	318 lbs	2	9	54.2
ES6110105	105' Easy Step Roof Ladder Handrail	\$3,528.00	321 lbs	1	10	56.0
ES6400	2 Rung ES Roof Ladder Handrail for ladder rungs 20-22" apart	\$274.00	25 lbs	1	0	3.5
ES6200	52" ES Roof Ladder Handrail Section for ladder rungs 26" apart	\$298.00	27 lbs	1	0	4.3
ES6600	3 Rung ES Roof Ladder Handrail for ladder rungs 20-22" apart	\$307.00	28 lbs	0	1	5.3
ES61500	ES Roof Ladder Handrail Top Post Pkg	\$176.00	16 lbs			
51450	Manhole Guardrail, 3 Sided	\$531.00	64 lbs			

Easy Step Roof Stairs

Product Line Card Available



Bolt on guardrail option available, call for more information.



Ordering Information: Includes top and intermediate handrail on both sides. The length of stairs is configured for use with the ES61100 or ES51100 peak package. **If a top safety package is not used, order the next length up to reach the peak and add an ES51500 to terminate the stair handrail at the peak.**

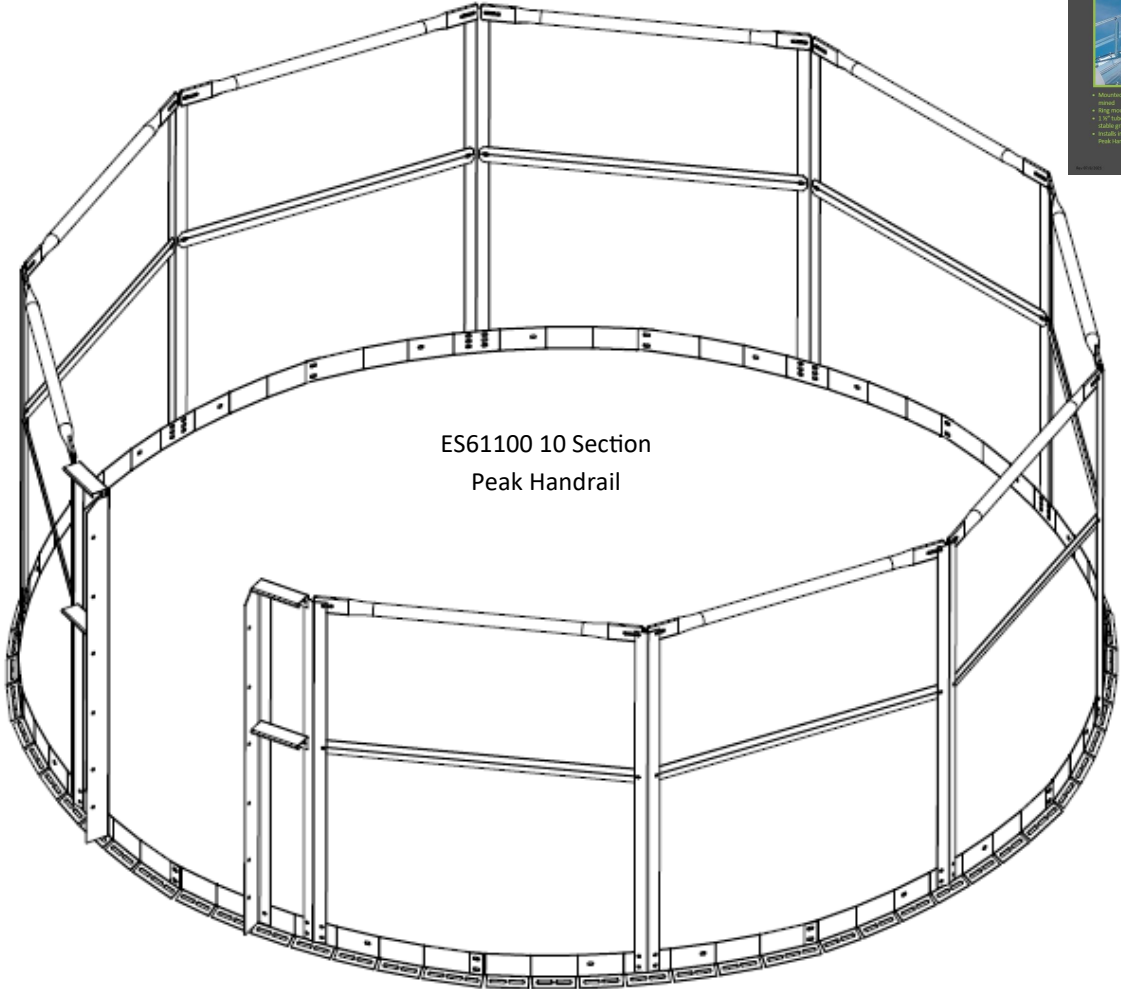
Item	Description	List Price	Weight	No. of Sections	
				4 Step	6 Step
ES5400	4 Step Easy Step Roof Stair	\$566.00	69 lbs	1	0
ES5600	6 Step Easy Step Roof Stair	\$765.00	92 lbs	0	1
51450	Manhole Guardrail, 3 sided	\$531.00	64 lbs		
ES51500	Easy Step Top Post Package	\$167.00	16 lbs		

Easy Step Roof Stairs

Does not meet OSHA regulation 1910.25(c)(3)

Item	Description	List Price	Weight	No. of Sections		Linear
				4 Step	6 Step	Feet of Run
ES51015	15' Easy Step Roof Stair (4 steps)	\$566.00	69 lbs	1	0	3.6
ES50118	18' Easy Step Roof Stair (6 steps)	\$765.00	94 lbs	0	1	5.5
ES52021	21' Easy Step Roof Stair (8 steps)	\$1,131.00	138 lbs	2	0	7.3
ES51124	24' Easy Step Roof Stair (10 steps)	\$1,331.00	163 lbs	1	1	9.1
ES53027	27' Easy Step Roof Stair (12 steps)	\$1,528.00	188 lbs	0	2	11.0
ES52130	30' Easy Step Roof Stair (14 steps)	\$1,895.00	232 lbs	2	1	12.8
ES51233	33' Easy Step Roof Stair (16 steps)	\$2,094.00	257 lbs	1	2	14.6
ES53136	36' Easy Step Roof Stair (18 steps)	\$2,461.00	301 lbs	3	1	16.4
ES52239	39' Easy Step Roof Stair (20 steps)	\$2,660.00	326 lbs	2	2	18.3
ES51342	42' Easy Step Roof Stair (22 steps)	\$2,859.00	351 lbs	1	3	20.1
ES53245	45' Easy Step Roof Stair (24 steps)	\$3,226.00	395 lbs	3	2	21.9
ES52348	48' Easy Step Roof Stair (26 steps)	\$3,425.00	420 lbs	2	3	23.8
ES51451	51' Easy Step Roof Stair (28 steps)	\$3,624.00	445 lbs	1	4	25.6
ES53354	54' Easy Step Roof Stair (30 steps)	\$3,823.00	470 lbs	0	5	27.5
ES52457	57' Easy Step Roof Stair (32 steps)	\$4,188.00	514 lbs	2	4	29.3
ES51560	60' Easy Step Roof Stair (34 steps)	\$4,387.00	539 lbs	1	5	31.1
ES53463	63' Easy Step Roof Stair (36 steps)	\$4,754.00	583 lbs	3	4	32.9
ES52566	66' Easy Step Roof Stair (38 steps)	\$4,953.00	608 lbs	2	5	34.8
ES51669	69' Easy Step Roof Stair (40 steps)	\$5,152.00	633 lbs	1	6	36.6
ES53572	72' Easy Step Roof Stair (42 steps)	\$5,352.00	658 lbs	0	7	38.5
ES52675	75' Easy Step Roof Stair (44 steps)	\$5,718.00	702 lbs	2	6	40.3
ES51778	78' Easy Step Roof Stair (46 steps)	\$5,917.00	727 lbs	1	7	42.1
ES53681	81' Easy Step Roof Stair (48 steps)	\$6,284.00	771 lbs	3	6	43.9
ES52784	84' Easy Step Roof Stair (50 steps)	\$6,483.00	796 lbs	2	7	45.8
ES51887	87' Easy Step Roof Stair (52 steps)	\$6,681.00	821 lbs	1	8	47.6
ES53790	90' Easy Step Roof Stair (54 steps)	\$6,880.00	846 lbs	0	9	49.5
ES52893	93' Easy Step Roof Stair (56 steps)	\$7,246.00	890 lbs	2	8	51.3
ES529102	102' Easy Step Roof Stair (62 steps)	\$8,011.00	984 lbs	2	9	56.8
ES5110105	105' Easy Step Roof Stair (64 steps)	\$8,211.00	1009 lbs	1	10	58.6
ES5111114	114' Easy Step Roof Stair (70 steps)	\$8,976.00	1103 lbs	1	11	64.1
ES5113132	132' Easy Step Roof Stair (82 steps)	\$10,504.00	1291 lbs	1	13	75.1
ES5312135	135' Easy Step Roof Stair (84 steps)	\$10,703.00	1316 lbs	0	14	77.0
ES5215156	156' Easy Step Roof Stair (98 steps)	\$12,598.00	1548 lbs	2	15	89.8

Easy Step Peak Handrail



Ordering Information: *If using Easy Step Roof Stairs or Easy Step Roof Ladder Handrail with your peak handrail:*

- ES60700: go up 1 size from bin diameter*
- ES60900 & ES61100: use bin diameter*
- ES61300: go down 1 size from bin diameter*

Item	Description	Inside Diameter	Outside Diameter	List Price	Weight
ES60700	Easy Step 7 Section Peak Handrail	81"	7'	\$937.00	110lbs
ES60900	Easy Step 9 Section Peak Handrail	105"	9'	\$1,207.00	142lbs
ES61100	Easy Step 10 Section Peak Handrail	117"	10'	\$1,328.00	155lbs
ES61300	Easy Step 13 Section Peak Handrail	153"	13'	\$1,670.00	195lbs
ES60100	Easy Step Single Section (adds 1' diameter to package)		+1' OD	\$135.00	16lbs
ES60001	Additional Easy Step Peak Handrail Entry Post Package			\$189.00	22lbs

Easy Step Walkaround

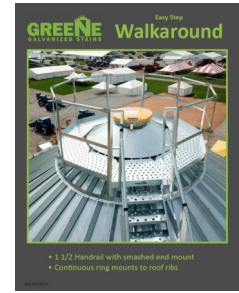
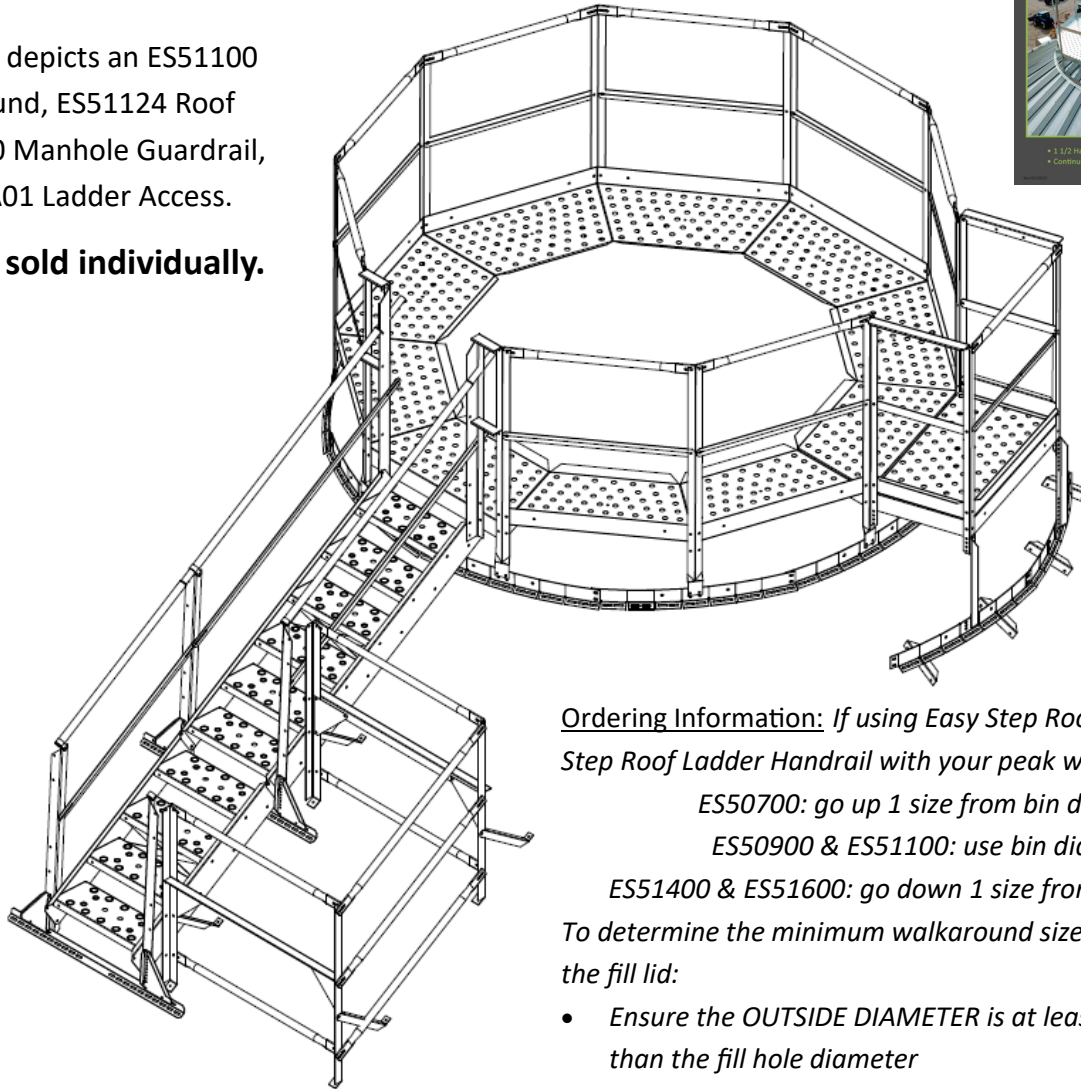


Illustration depicts an ES51100 Walkaround, ES51124 Roof Stair, 51450 Manhole Guardrail, and ESLA01 Ladder Access.

Items are sold individually.



Ordering Information: *If using Easy Step Roof Stairs or Easy Step Roof Ladder Handrail with your peak walkaround:*

ES50700: go up 1 size from bin diameter

ES50900 & ES51100: use bin diameter

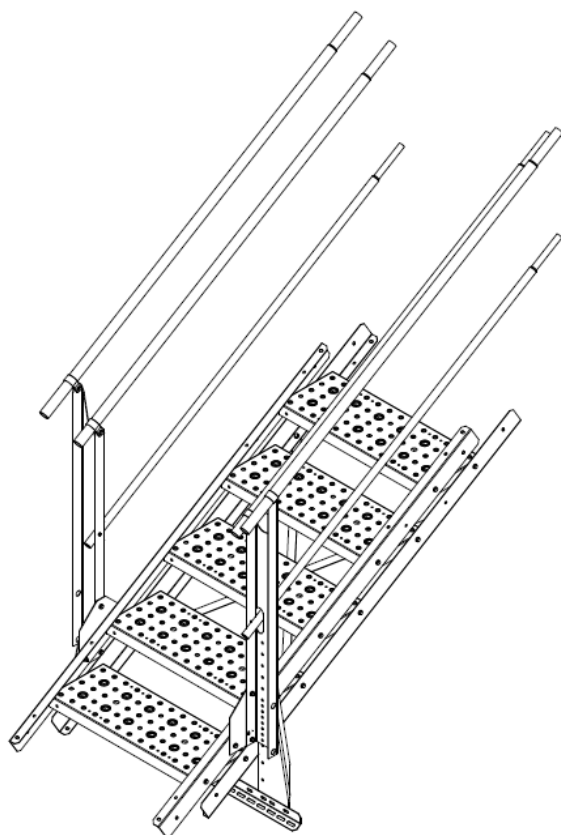
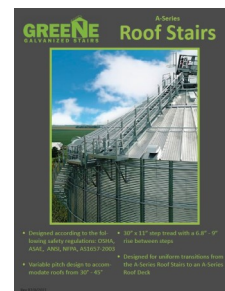
ES51400 & ES51600: go down 1 size from bin diameter.

To determine the minimum walkaround size to allow space for the fill lid:

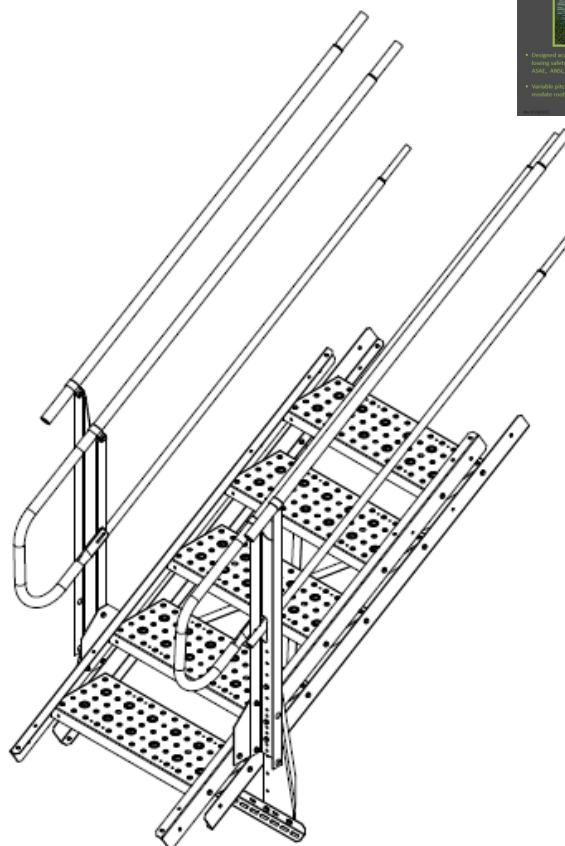
- *Ensure the OUTSIDE DIAMETER is at least 3 times greater than the fill hole diameter*
- *Ensure the INSIDE DIAMETER is at least 3" greater than the fill lid*

Item	Description	List Price	Weight	Inside Diameter	Outside Diameter
ES50700	Easy Step 7' Walkaround	\$2,137.00	225 lbs	38 7/8"	87"
ES50900	Easy Step 9' Walkaround	\$2,278.00	271 lbs	65 1/8"	115"
ES51100	Easy Step 11' Walkaround	\$2,664.00	317 lbs	76 1/2"	125"
ES51200	Easy Step 12' Walkaround	\$3,908.00	430 lbs	103 5/16"	145"
ES51400	Easy Step 14' Walkaround	\$4,737.00	540 lbs	126 1/2"	173"
ES51600	Easy Step 16' Walkaround	\$5,409.00	616 lbs	153"	201"
ES50750	Additional Entry Kit for ES50700	\$284.00	33 lbs		
ES50950	Additional Entry Kit for ES50900	\$284.00	33 lbs		
ES51150	Additional Entry Kit for ES51100	\$284.00	33 lbs		
ES51250	Entry Section for ES 12', 14' or 16' Walkaround	\$117.00	15 lbs		
ESLA01	Ladder Access Landing (Package will work on all Easy Step Walkarounds, but you must add an entry deck if smaller than 12'.)	\$611.00	73 lbs		
51450	Manhole Guardrail, 3 sided	\$531.00	64 lbs		

A-Series Roof Stairs



ART5005 Intermediate Section



ART5005 Shown with bottom end rails from Entry Post Kit

Ordering Information: Variable pitch design from 30°-45°. 1 ½” round handrail with telescopic ends. Adjustable mounting height allows for consistent step transition from lower platform to stairs. Compatible with A-Series Arrest Landings and A-Series Roof Decks for commercial applications. Allows for rest landings on the roof every 18 steps. Rise per step 6.7” at 30° and 9.5” at 45°.

Item	Description	List Price	Weight	Linear Feet of Run
ART5001	Peak Top Step Kit (includes rounded bottom pipes)	\$692.00	106 lbs	2.3
ARD0010	A-Series Stair Landing Top of Flight	\$677.00	104 lbs	
ART5003	A-Series 3 Step Mid Stair Section	\$725.00	111 lbs	3.4
ART5004	A-Series 4 Step Mid Stair Section	\$877.00	134 lbs	4.5
ART5014	A-Series 4 Step Roof Stair Top Section	\$833.00	128 lbs	4.3
ART5005	A-Series 5 Step Mid Stair Section	\$1,030.00	158 lbs	5.6
ART5010	A-Series Top Post Package	\$233.00	36 lbs	
ARD0001	A-Series Roof Deck Entry Post Kit (includes bottom end rails)	\$274.00	22 lbs	

A-Series Roof Stairs

With 9' Walkaround (not flat top)

ARD0900

Bin Diameter	# of Steps	Item Number	List Price	Weight	Linear Feet of Run
15'	5	ART1005	\$986.00	151 lbs	5.4
18'	6	ART1006	\$1,138.00	175 lbs	6.5
24'	9	ART1009	\$1,863.00	285 lbs	9.9
27'	11	ART1011	\$2,435.00	373 lbs	12.1

With 12' Walkaround (not flat top)

ARD1200

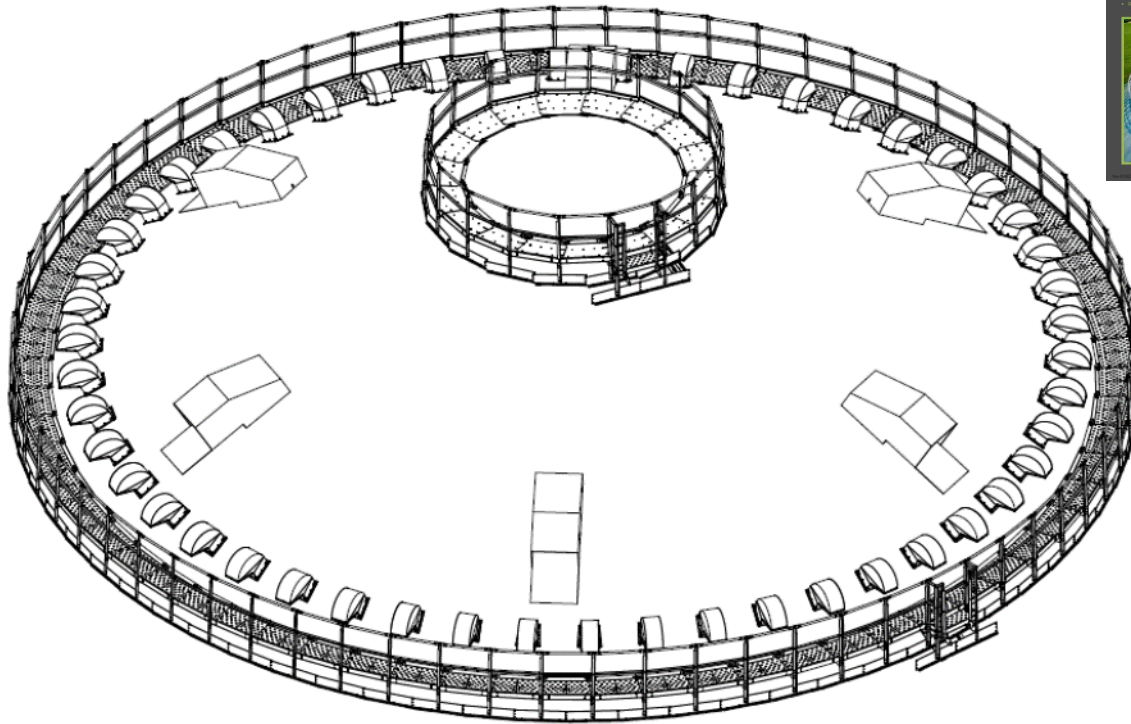
Bin Diameter	# of Steps	Item Number	List Price	Weight	Linear Feet of Run
24'	7	ART1007	\$1,558.00	238 lbs	7.6
27'	9	ART1009	\$1,863.00	285 lbs	9.9
30'	11	ART1011	\$2,435.00	373 lbs	12.1
33'	12	ART1012	\$2,588.00	396 lbs	13.3
36'	14	ART1014	\$2,893.00	443 lbs	15.5
39'	15	ART1015	\$3,313.00	507 lbs	16.6
42'	17	ART1017	\$3,618.00	554 lbs	18.9
45'	19	ART1019	\$3,923.00	600 lbs	21.1
48'	20	ART1020	\$4,343.00	665 lbs	22.3
51'	22	ART1022	\$4,648.00	711 lbs	24.5
54'	23	ART1023	\$4,800.00	735 lbs	25.6
57'	25	ART1025	\$5,373.00	822 lbs	27.9
60'	27	ART1027	\$5,678.00	869 lbs	30.1
63'	28	ART1028	\$5,830.00	892 lbs	31.3
66'	30	ART1030	\$6,403.00	980 lbs	33.5
69'	31	ART1031	\$6,555.00	1003 lbs	34.6
72'	33	ART1033	\$6,860.00	1050 lbs	36.9
75'	35	ART1035	\$7,433.00	1138 lbs	39.1
78'	36	ART1036	\$7,585.00	1161 lbs	40.3
81'	38	ART1038	\$7,890.00	1208 lbs	42.5
84'	39	ART1039	\$8,043.00	1231 lbs	43.6
87'	41	ART1041	\$8,615.00	1319 lbs	45.9
90'	43	ART1043	\$8,920.00	1365 lbs	48.1
93'	44	ART1044	\$9,073.00	1389 lbs	49.3
99'	47	ART1047	\$9,798.00	1499 lbs	52.6
102'	49	ART1049	\$10,103.00	1546 lbs	54.9
105'	51	ART1051	\$10,675.00	1634 lbs	57.1
114'	55	ART1055	\$11,553.00	1768 lbs	61.6
123'	60	ART1060	\$12,583.00	1926 lbs	67.3
132'	65	ART1065	\$13,613.00	2083 lbs	72.9
135'	67	ART1067	\$13,918.00	2130 lbs	75.1
144'	71	ART1071	\$14,795.00	2264 lbs	79.6
156'	78	ART1078	\$16,130.00	2469 lbs	87.5
		ART1083	\$17,160.00	2626 lbs	93.1

No Walkaround (not flat bin top)

(Add ART5010 Top Post)

Bin Diameter	Based on 36 inch fill ring # of steps
18'	9
21'	11
24'	12
27'	14
30'	15
33'	17
36'	19
39'	20
42'	22
45'	23
48'	25
51'	27
54'	28
57'	30
60'	31
63'	33
66'	35
69'	36
72'	38
75'	39
78'	41
81'	43
84'	44
90'	47
93'	49
96'	51
105'	55
114'	60
123'	65
126'	67
135'	71
147'	78
156'	83

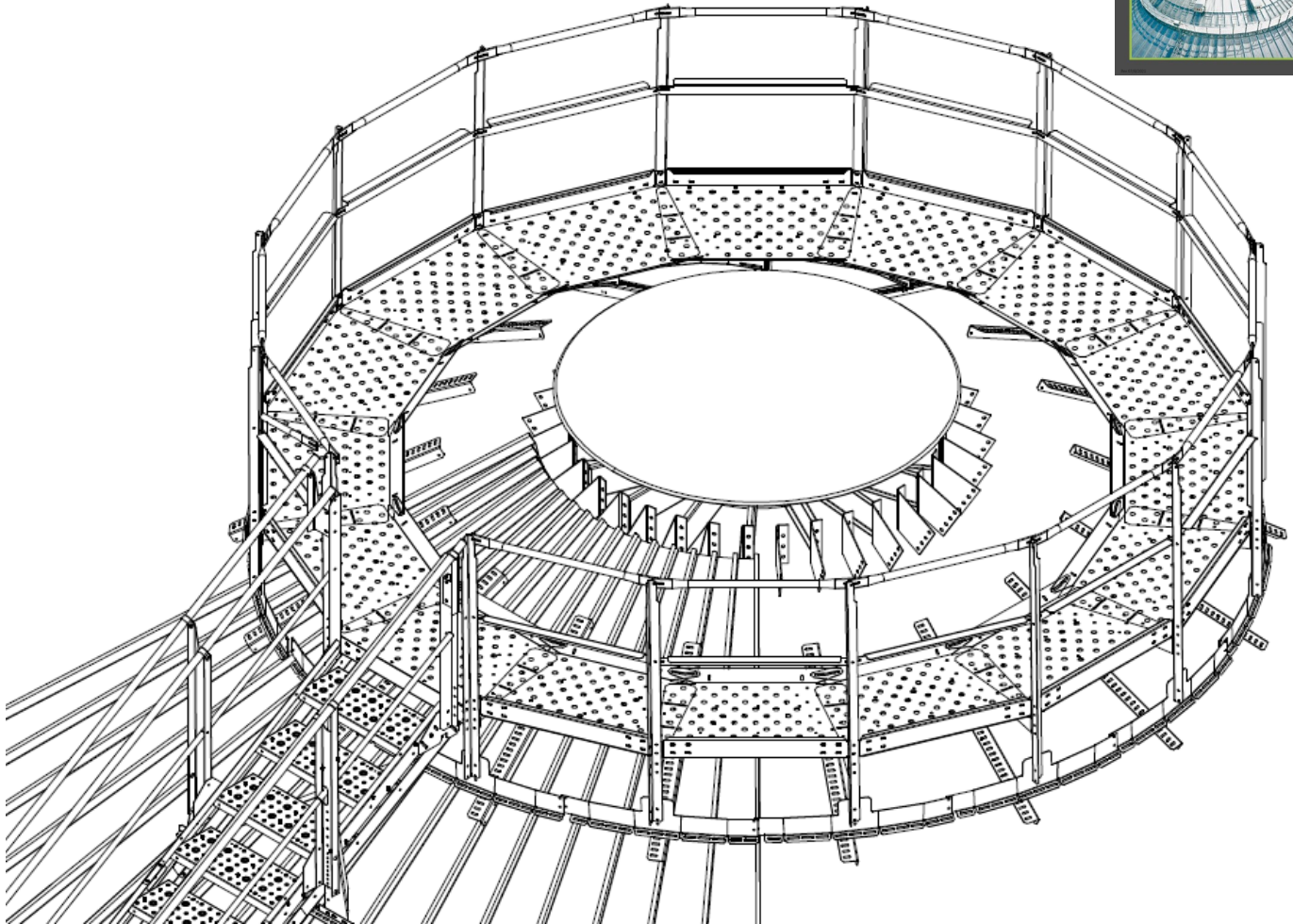
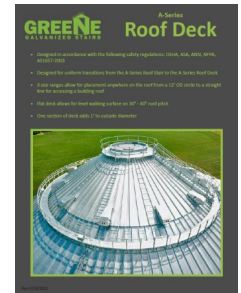
A-Series Roof Deck



- The A-Series Roof Deck is designed with simplified installation in mind and allows for stair transitions that are compliant with applicable standards for safety and reliability.
- Each section is equivalent to 1' of the outside deck diameter. Example: 48' outside diameter deck is 48 Sections of ARD2480.
- Available in 3 different sizes, ranging from 12' diameter up to a straight line deck, such as on a building roof.
- Designed for roof slopes from 30° to 40°.
- Arrest landings can be configured as required by local and regional safety standards to allow for rest landings in the run.
- Another benefit of the rest landings is the ability to change roof stair approach from the eave platform. An eave platform may be at 6 o'clock, but the best approach to the peak may be at 9 o'clock. The lower stair can approach the mid roof deck at 6 o'clock, walk around the deck to 9 o'clock, and proceed up the stairs to the peak of the bin.

Item	Description	List Price	Weight
ARD1236	A-Series Roof Deck 12-36' Diameter	\$371.00	75lbs
ARD2480	A-Series Roof Deck 24-80' Diameter	\$371.00	75lbs
ARD2480AL	A-Series Roof Deck 24-80' Diameter Arrest Landing Section	\$549.00	84lbs
ARD2480AS	A-Series Starter for ARD2480AL	\$783.00	120lbs
ARD60180	A-Series Roof Deck 60'-Straight Run (180 deg)	\$371.00	75lbs
ARD-M01	Universal V-Rib Mount (one per section minimum)	\$24.33	7lbs
ARD-M02	J-Rib Mount (one per section minimum)	\$24.33	8lbs
ARD-M03	New Chief V-Rib Mount (one per section minimum)	\$24.33	7lbs
ARD0010	A-Series Deck Extension Landing	\$677.00	96lbs
ARD0001	A-Series Roof Deck Entry Posts	\$274.00	22lbs
ASG100	A-Series Self Closing Gate, Galvanized	\$335.00	38lbs

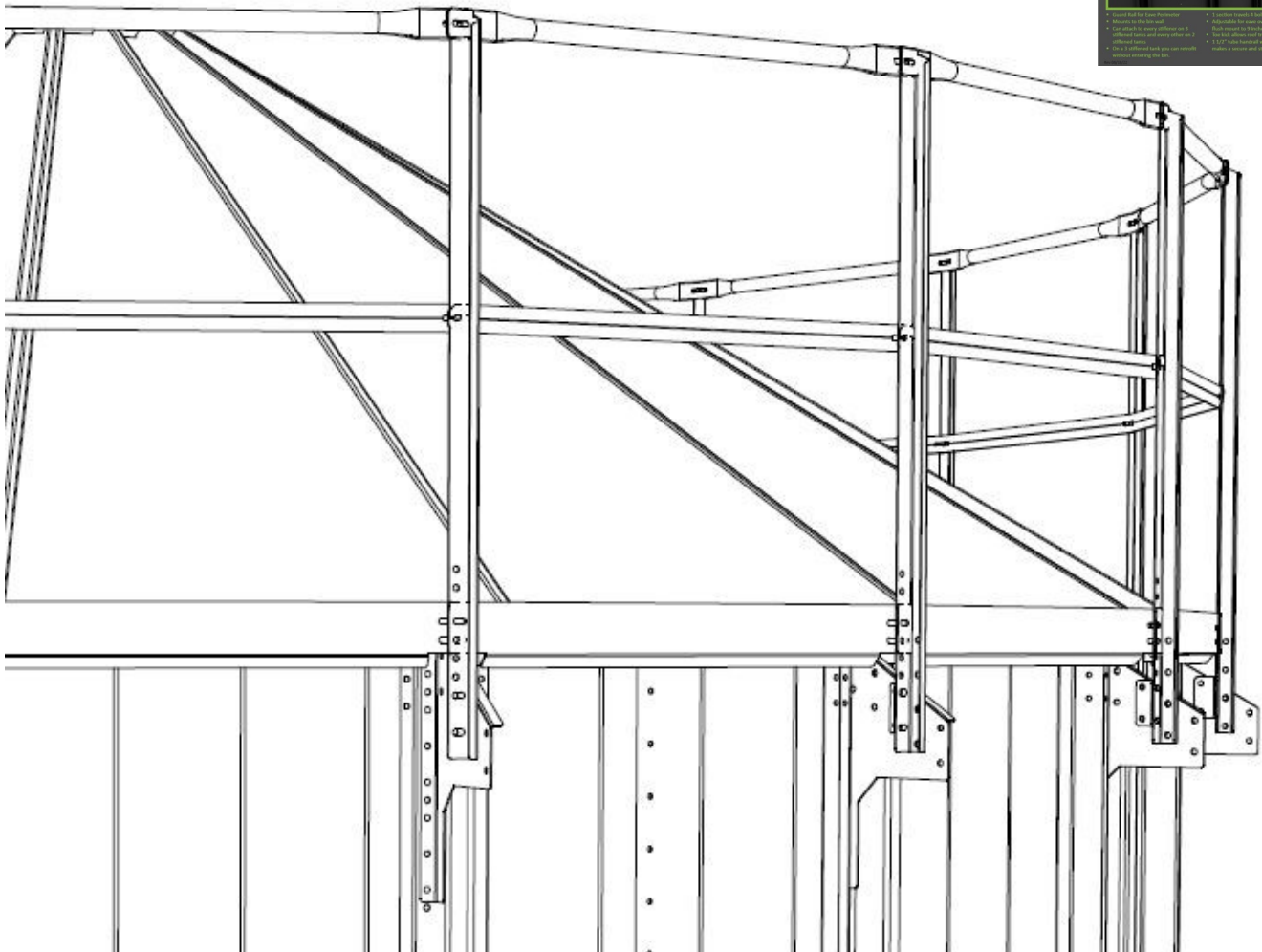
A-Series Walkaround



For your ordering convenience, we've put together multiple A-Series Roof Deck packages that are similar to the Easy Step Walkaround packages. See page 34 for system details.

Item	Description	List Price	Weight	Inside Diameter
ARD0900	9' A-Series Walkaround Package	\$3,423.00	595lbs	40.5"
ARD0900CJ	9' A-Series Walkaround Package, Chief V-Rib Mount	\$3,423.00	595lbs	40.5"
ARD1200	12' A-Series Walkaround Package	\$5,116.00	1034lbs	87.5"
ARD1200 CJ	12' A-Series Walkaround Package, Chief V-Rib Mount	\$5,116.00	1034lbs	87.5"
ARD1400	14' A-Series Walkaround Package	\$5,907.00	1198lbs	111.5"
ARD1400CJ	14' A-Series Walkaround Package, Chief V-Rib Mount	\$5,907.00	1198lbs	111.5"
ARD1600	16' A-Series Walkaround Package	\$6,697.00	1362lbs	135.5"
ARD1600CJ	16' A-Series Walkaround Package, Chief V-Rib Mount	\$6,697.00	1362lbs	135.5"
ARD1800	18' A-Series Walkaround Package	\$7,488.00	1526lbs	159.5"
ARD1800CJ	18' A-Series Walkaround Package, Chief V-Rib Mount	\$7,488.00	1526lbs	159.5"
ASG100	A-Series Self Closing Gate, Galvanized	\$335.00	38lbs	

Perimeter Safety Rail



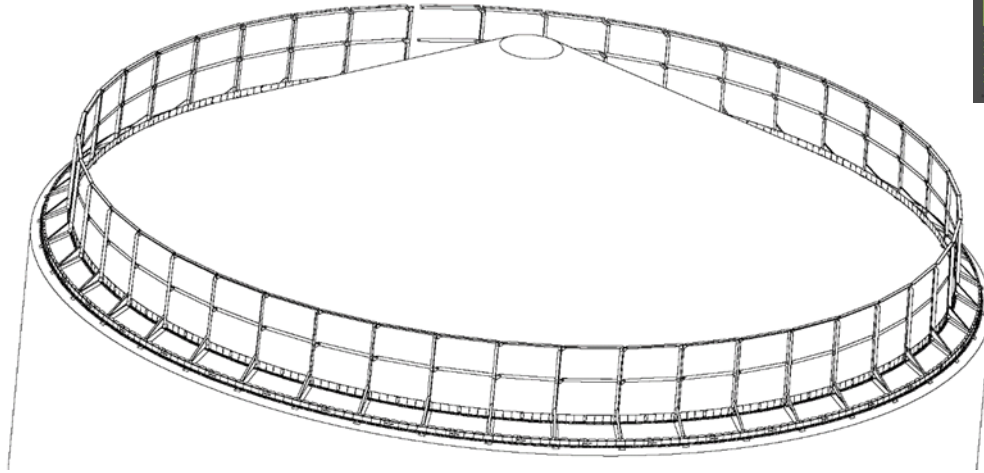
- *Guard Rail for Eave Perimeter that mounts to the bin wall*
- *Can attach to every stiffener on a 3 stiffened tank, and every other on a 2 stiffened tank*
- *On a 3 stiffened bin can be retrofitted without bin entry*
- *Available in 2 sizes; standard bolt spacing or Chief and Behlen bolt spacing*
- *Toe kick allows roof trash to wash away*
- *1 1/2" round handrail with formed ends make for a secure and stable grip*

Ordering Information: *Order 3 PSR sections for each wall panel (bin sheet).*

Item	Description	List Price	Weight
PSR3750	Perimeter Safety Rail, single section 37.5"	\$ 215.00	22
PSR4239	Perimeter Safety Rail, single section, Chief or Behlen	\$ 215.00	22

MRH Roof Handrail

US Patent 8,595,990



How to Calculate Parts Needed for Mid-Roof Handrail:

Number of Sections: *One Mid-Roof Handrail section (MRH001) for each foot of desired diameter.*

Number of Roof Mounts: *One Roof Mount (MRV_1) for each roof panel covered by the Mid-Roof Handrail. The minimum number of mounts needed is 1 per section of MRH001.*

Number of Entries: *One entry section (MRHE01) for each instance that you need to pass through the Mid-Roof Handrail.*

24" of roof run must be allowed outside of the handrail to allow for mounting hardware, and 36" off of the diameter.

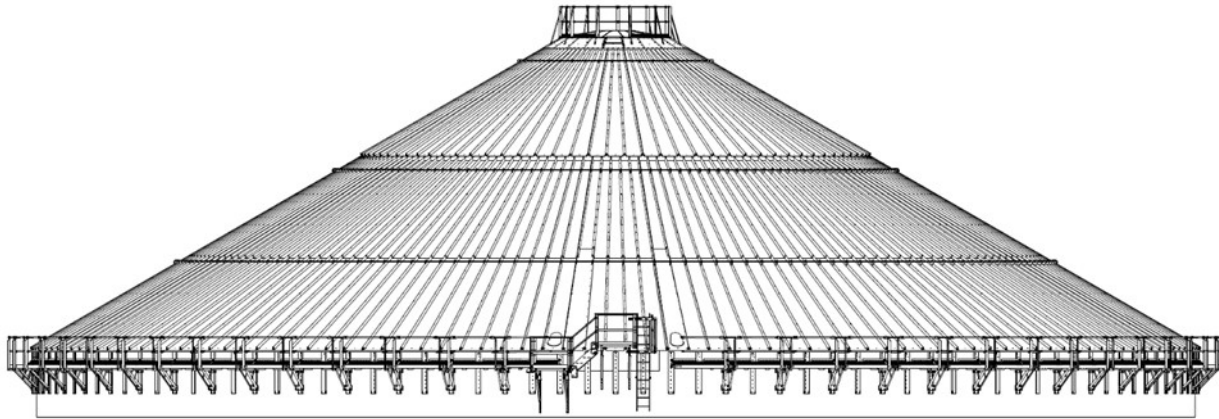
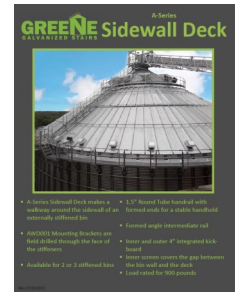
Example: *If the handrail will be placed halfway down the roof of a 60' diameter bin, the handrail diameter (inside diameter) will be 30', you order Quantity 30 MRH001. If there are 60 roof panels at the Mid-Roof Handrail roof location, order Quantity 60 MRV_1. Indicate the bin manufacturer when ordering because the mounts are brand specific to correspond to the pre-punched roof rib holes. Typically, at least 1 entry section will be required for each system.*

Please call for assistance with any configuration questions.

Item	Description	List Price	Weight
MRH001	Mid Roof Handrail	\$204.00	32 lbs
MRHE01	MRH Entry Section	\$394.00	56 lbs
MRVB1	Behlen Mount Foot	\$11.00	3 lbs
MRVC1	Chief Mount Foot	\$11.00	2 lbs
MRVS1	Sukup Mount Foot	\$11.00	3 lbs
MRVX1	Sioux Steel Mount Foot	\$11.00	3 lbs
MRVK1	Brock Mount Foot	\$11.00	3 lbs
MRVT1	Twister Mount Foot	\$11.00	3 lbs

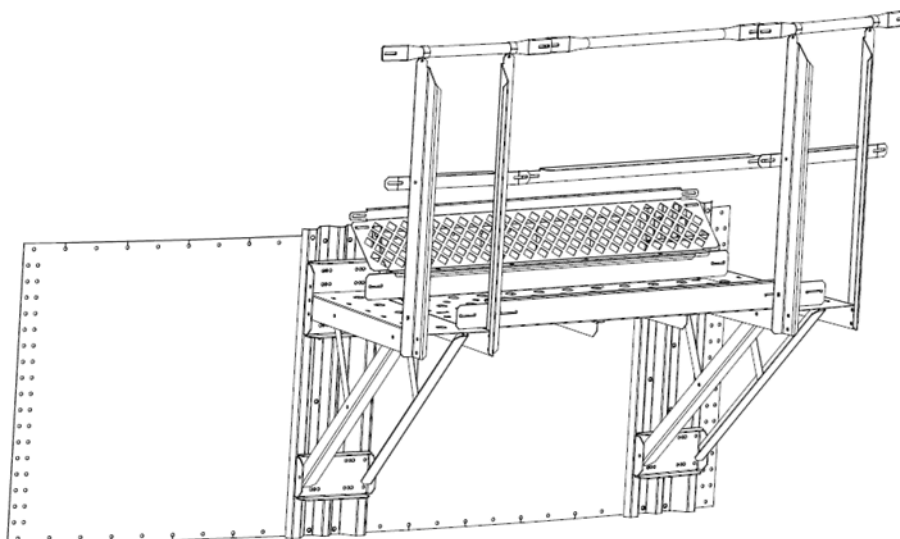
A-Series Sidewall Deck (Eave Walkaround)

US Patent: 8,595,989



Drawing illustrates a 3 stiffened 132' bin with the skip a stiffener deck.

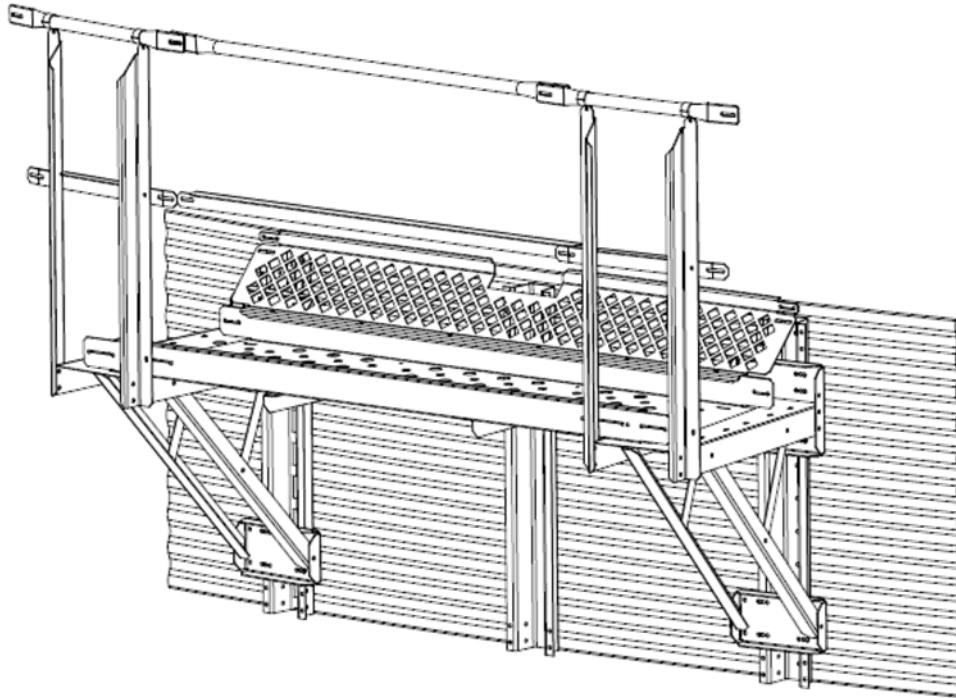
- The Sidewall Deck is available as a walkway option around the sidewall of an externally stiffened bin. It is attached by field drilling through the face of the stiffeners and attaching AWD001 mounting brackets.
- Bins with two stiffeners per sidewall panel require one mount and one deck section per stiffener.
- Bins with three stiffeners per sidewall panel below 30' in diameter require one mount and one deck section per stiffener. Three stiffened bins above 30' may utilize the skip a stiffener configuration where one mount and one deck are used for every other stiffener.
- The Sidewall Deck is load rated for 900 lbs.
- The ES8500 Series platform and ES7744 Transition Stairs are recommended for use at the manhole, roof stairs, and sidewall ladder or stairs.
- For unstiffened bins, see pgs. 4 & 5 utilizing the ladder platform and platform fillers.



Drawing illustrates (1) AWD213 with (2) AWD001 Mounts

A-Series Sidewall Deck (Eave Walkaround)

US Patent: 8,595,989

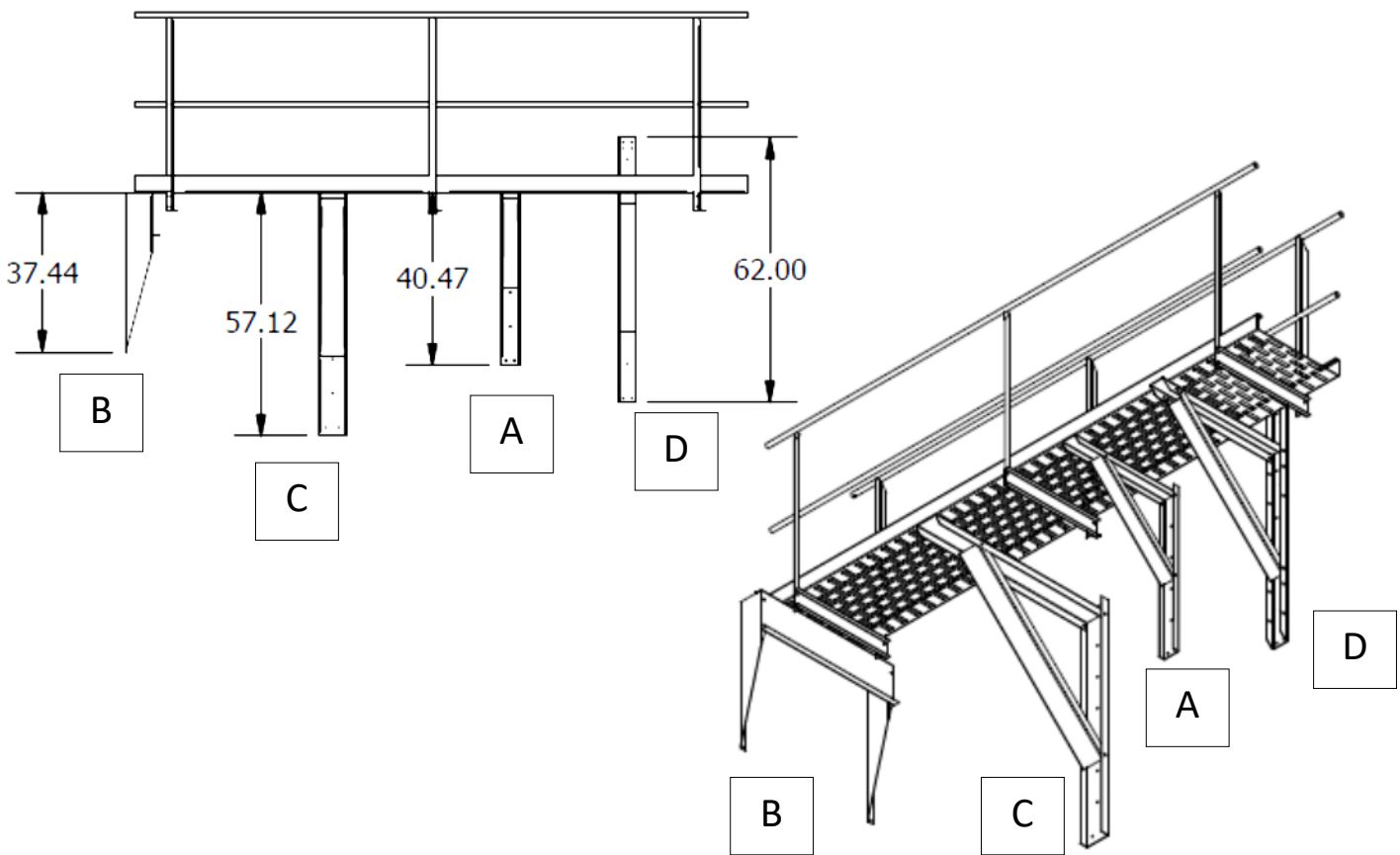
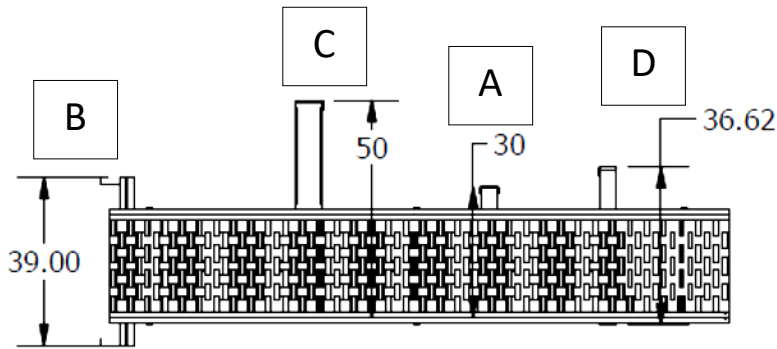
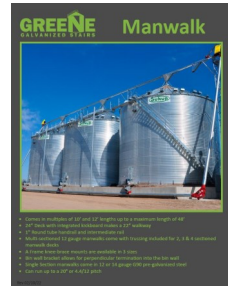


Drawing illustrates (1) AWD302 with (2) AWD001 Mounts

Item	Description	List Price	Weight
AWD201	A-Series 2 Stiff Std Deck 18-30	\$455.00	71lbs
AWD202	A-Series 2 Stiff Std Deck 30-60	\$424.00	66lbs
AWD203	A-Series 2 Stiff Std Deck 60<Flat	\$424.00	65lbs
AWD211	A-Series Chief 2 Stiff Deck CB6-CB10	\$455.00	70lbs
AWD212	A-Series Chief 2 Stiff Deck CB10-CB20	\$424.00	66lbs
AWD213	A-Series Chief 2 Stiff Deck CB20-Flat	\$424.00	65lbs
AWD221	A-Series Behlen 2 Stiff Deck 5M-8M	\$455.00	70lbs
AWD222	A-Series Behlen 2 Stiff Deck 8M-14M	\$455.00	70lbs
AWD301	A-Series Std 3 Every Stiffener 18-30	\$293.00	48lbs
AWD302	A-Series Std 3 Stiffener Skip 90-Flat	\$573.00	94lbs
AWD304	A-Series Std 3 Stiffener SKP 48-90	\$569.00	93lbs
AWD306	A-Series Std 3 Stiffener SKP 30-48	\$578.00	95lbs
AWD311	A-Series Chief 3 Every Stiffener CB6-CB10	\$299.00	49lbs
AWD312	A-Series Chief 3 Stiffener Skip CB10-CB16	\$592.00	97lbs
AWD314	A-Series Chief 3 Stiffener Skip CB16-CB24	\$578.00	95lbs
AWD316	A-Series Chief 3 Stiffener Skip CB24-Flat	\$569.00	93lbs
AWD321	A-Series Behlen Wall Deck 3 Stiff Every 5M-10M	\$287.00	47lbs
AWD322	A-Series Behlen Wall Deck 3 Stiff Skp 10M-15M	\$592.00	97lbs
AWD324	A-Series Behlen Wall Deck 3 Stiff Skp 15M-23M	\$611.00	100lbs
AWD326	A-Series Behlen Wall Deck 3 Stiff Skp 23M-Flat	\$569.00	93lbs
AWD001	A-Series Walk Deck Mount	\$388.00	64lbs
AWD002	A-Series Sidewall Deck Handrail Termination kit	\$416.00	37lbs

Manwalk Supports

Product Line Card Available

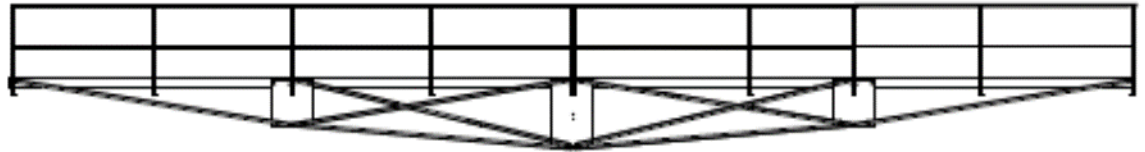


Ordering Information: Use A-Frame Kneebrace mount for manwalks running parallel to the grain bin wall. Use Bin Wall Bracket for manwalks running perpendicular to the grain bin wall.

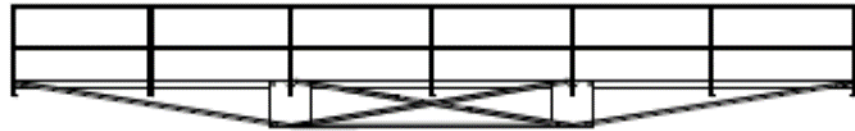
Key	Item	Description	List Price	Weight
A	60036	A-Frame Kneebrace mount for Manwalk	\$240.00	30 lbs
B	60039	Bin Wall Bracket for Manwalk	\$249.00	25 lbs
C	60048	48" A-Frame Kneebrace mount for Manwalk	\$590.00	70 lbs
D	60636	A-Frame Kneebrace mount for Manwalk 40'-48'	\$345.00	41 lbs

Manwalk

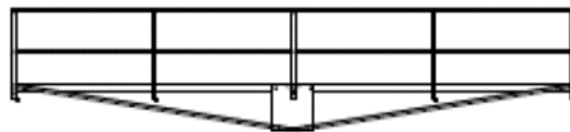
40' - 48'
4 section Manwalk



30' - 36'
3 section Manwalk



20' - 24'
2 section Manwalk



10' - 12'
1 section Manwalk

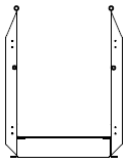


Ordering Information: 14ga Manwalks are not to be used in multiple section assemblies. 14ga Manwalks are load rated at 500 lbs. 12ga Manwalks must be used for any configuration over 12 feet. 12ga Manwalks are load rated at 700 lbs. Manwalk pitch should not exceed 20° or 4.3":12"

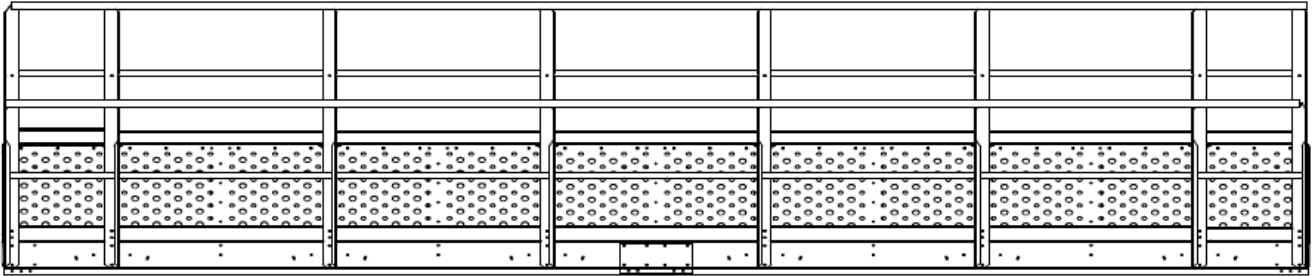
Item	Description	List Price	Weight
61410	10' 14ga Manwalk only	\$579.00	93 lbs
61412	12' 14ga Manwalk only	\$684.00	112 lbs
61210	10' 12ga Manwalk only	\$753.00	128 lbs
61212	12' 12ga Manwalk only	\$900.00	154 lbs
62410	10' 14ga Manwalk w/hand & intermediate rails	\$1,016.00	205 lbs
62412	12' 14ga Manwalk w/hand & intermediate rails	\$1,224.00	243 lbs
62210	10' 12ga Manwalk w/hand & intermediate rails	\$1,192.00	240 lbs
62212	12' 12ga Manwalk w/hand & intermediate rails	\$1,437.00	285 lbs
62220	20' 12ga Manwalk w/hand & intermediate rails	\$2,803.00	551 lbs
62224	24' 12ga Manwalk w/hand & intermediate rails	\$3,361.00	641 lbs
62230	30' 12ga Manwalk w/hand & intermediate rails	\$4,430.00	867 lbs
62232	32' 12ga Manwalk w/hand & intermediate rails	\$4,885.00	921 lbs
62234	34' 12ga Manwalk w/hand & intermediate rails	\$5,130.00	966 lbs
62236	36' 12ga Manwalk w/hand & intermediate rails	\$5,374.00	1011 lbs
62240	40' 12ga Manwalk w/hand & intermediate rails	\$6,524.00	1067 lbs
62244	44' 12ga Manwalk w/hand & intermediate rails	\$6,891.00	1114 lbs
62248	48' 12ga Manwalk w/hand & intermediate rails	\$7,386.00	1194 lbs
60010	10' Handrail Kit (Parts for handrail kit for Manwalk only)	\$452.00	70 lbs
60012	12' Handrail Kit (Parts for handrail kit for Manwalk only)	\$555.00	85 lbs
98043	Cut in Hatch (Chief Manhole Package Complete)	\$487.00	13 lbs

A-Series Manwalk

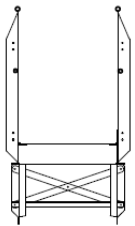
Product Line Card Available



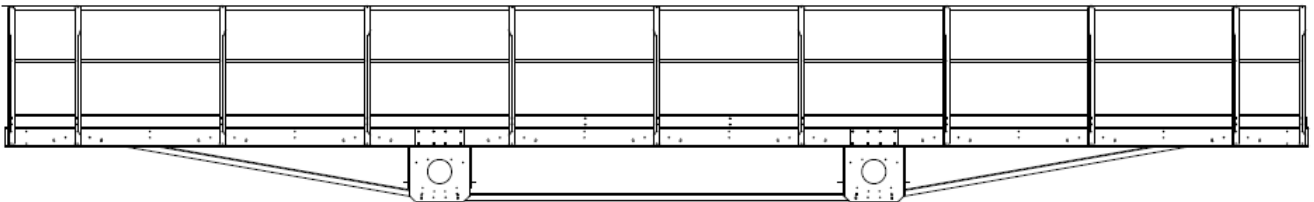
End View



AMA03024



End View

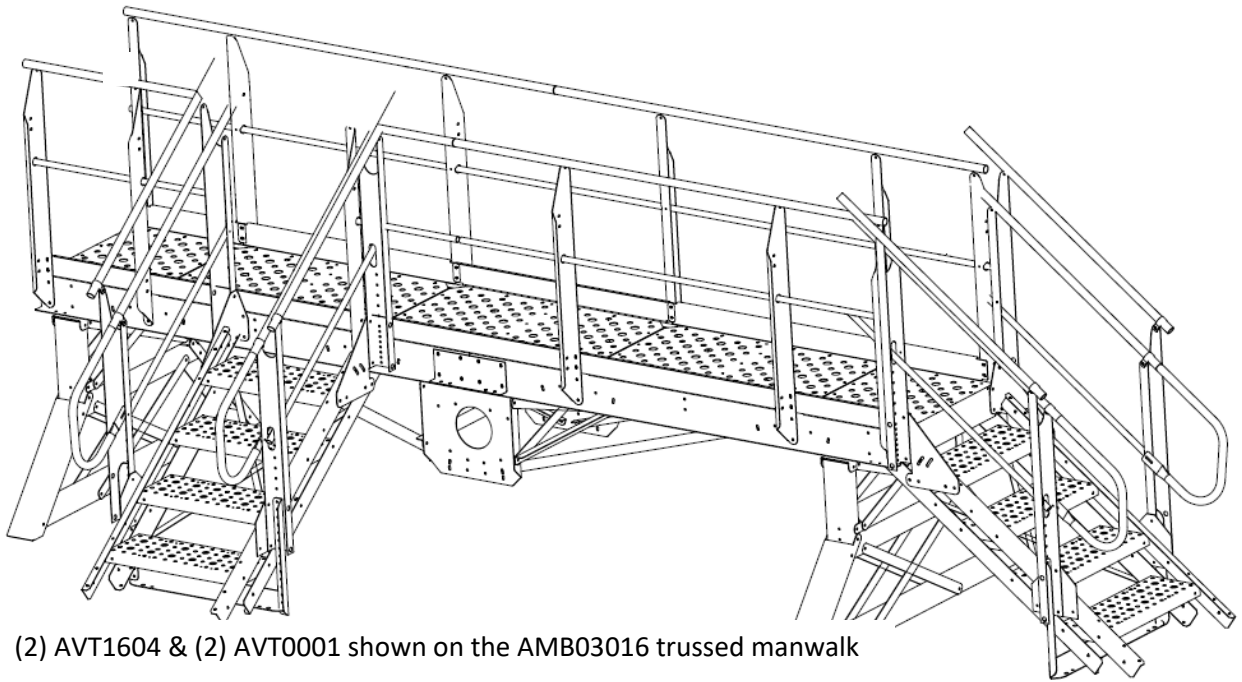


AMA03036

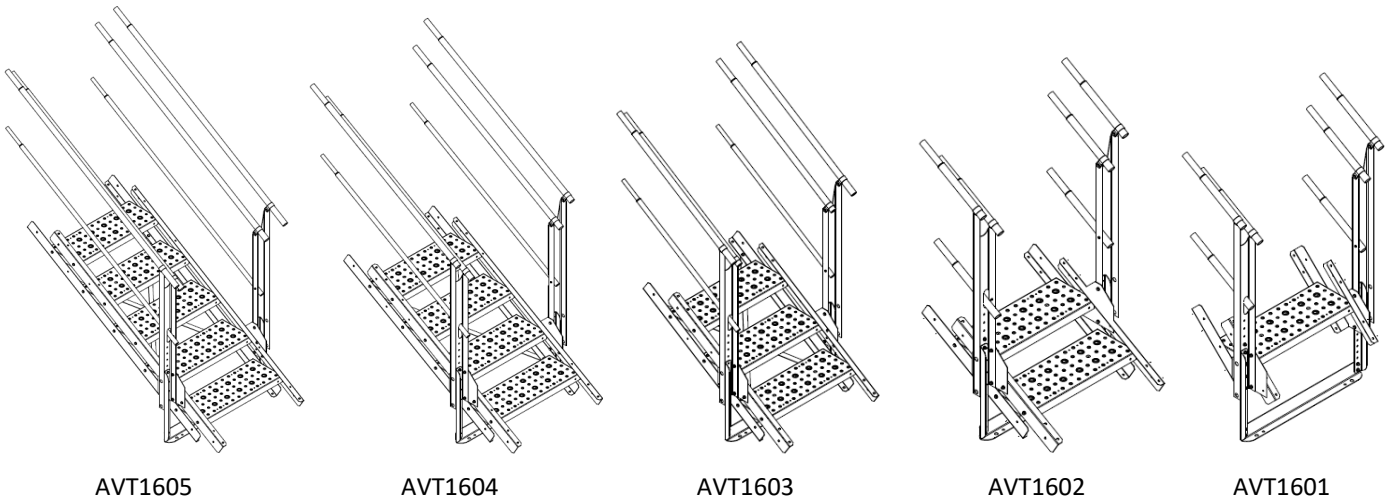
Ordering Information: *The A-Series Manwalk system is designed to support 60 psf in accordance with ASCE 7-2010, or 150 lbs per linear foot. Manwalk prefixed with AMA meet the minimum 60 psf standard. Manwalk prefixed with AMB are considered heavy duty and are used for greater load capacity. Walkway width is 30", and the overall width is 37.5"*

Item	Length	Description	List Price	Weight
AMA03004	4'	4' A-Series Manwalk	\$ 1,215.00	186lbs
AMA03008	8'	8' A-Series Manwalk	\$ 1,758.00	269lbs
AMA03012	12'	12' A-Series Manwalk	\$ 2,496.00	382lbs
AMA03016	16'	16' A-Series Manwalk	\$ 3,340.00	511lbs
AMB03016	16'	16' A-Series Manwalk, Trussed	\$ 3,804.00	582lbs
AMA03020	20'	20' A-Series Manwalk	\$ 4,077.00	624lbs
AMB03020	20'	20' A-Series Manwalk, Trussed	\$ 4,672.00	715lbs
AMA03024	24'	24' A-Series Manwalk	\$ 4,817.00	737lbs
AMB03024	24'	24' A-Series Manwalk, Trussed	\$ 5,633.00	862lbs
AMA03028	28'	28' A-Series Manwalk	\$ 5,659.00	866lbs
AMB03028	28'	28' A-Series Manwalk, Trussed	\$ 6,783.00	1038lbs
AMA03032	32'	32' A-Series Manwalk, Trussed	\$ 7,574.00	1159lbs
AMA03036	36'	36' A-Series Manwalk, Trussed	\$ 8,464.00	1295lbs
AMB15036		A-Series Manwalk Mount	\$ 648.00	108lbs
AMW0001		A-Series Manwalk Close End Handrail Kit	\$ 176.00	24lbs

A-Series Variable Stairs



(2) AVT1604 & (2) AVT0001 shown on the AMB03016 trussed manwalk

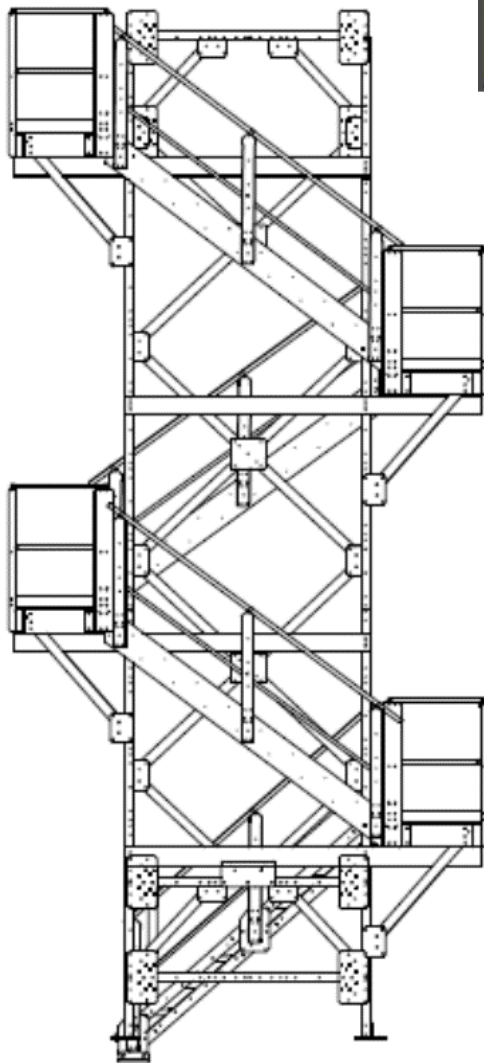
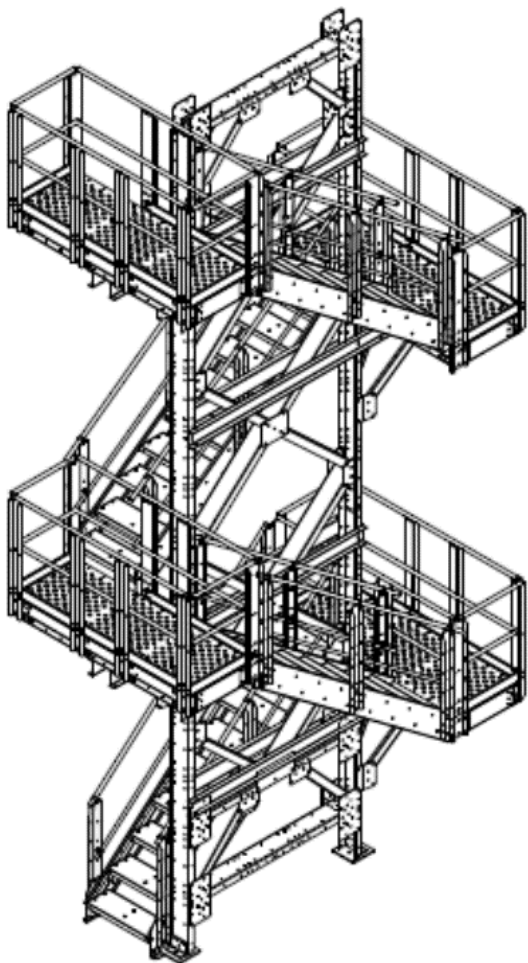
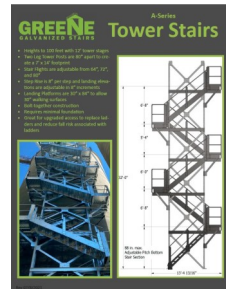


Ordering Information: Variable stairs are designed to run 17 steps unsupported, with a load capacity of 500 lbs. At a 30° pitch, the step rise is 6.75" and the step run is 11.69". At a 45° pitch, the step rise is 9.5" and the step run is 9.5". Order (1) Manwalk entry kit per stair run.

Item	Description	List Price
AVT1601	A-Series 1 Step Variable Stair Section	\$ 438.00
AVT1602	A-Series 2 Step Variable Stair Section	\$ 581.00
AVT1603	A-Series 3 Step Variable Stair Section	\$ 725.00
AVT1604	A-Series 4 Step Variable Stair Section	\$ 870.00
AVT1605	A-Series 5 Step Variable Stair Section	\$ 1,022.00
AVT0001	A-Series Variable Stair Manwalk Entry Kit (bottom round rails included)	\$ 252.00
ASG100	A-Series Self Closing Gate, Galvanized	\$335.00

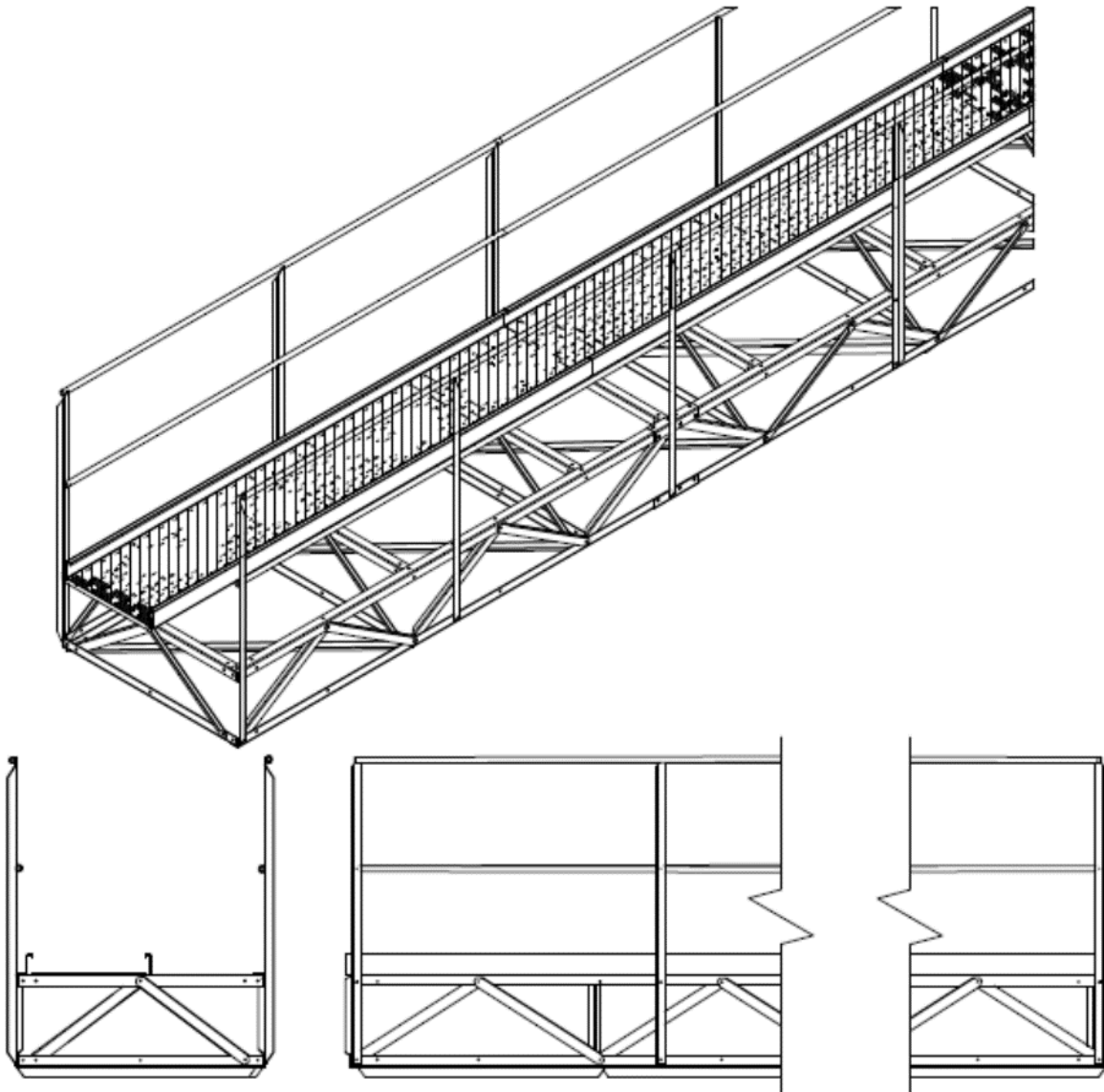
A-Series Tower Stairs

Call for quote



- Heights to 100' with 12' tower stages
- Two Leg Tower Posts are 80" apart to create a 7' x 14' footprint
- Stair Flights are adjustable from 64", 72", and 80" to access multiple platform elevations
- Landing Platforms are 30" x 84" to allow for 30" walking surfaces
- Bolt-together construction
- Requires minimal foundations
- Great for upgraded access to replace ladders and reduce fall risk associated with ladders
- For use beside new or existing bin or silo, flat storage building, or leg tower

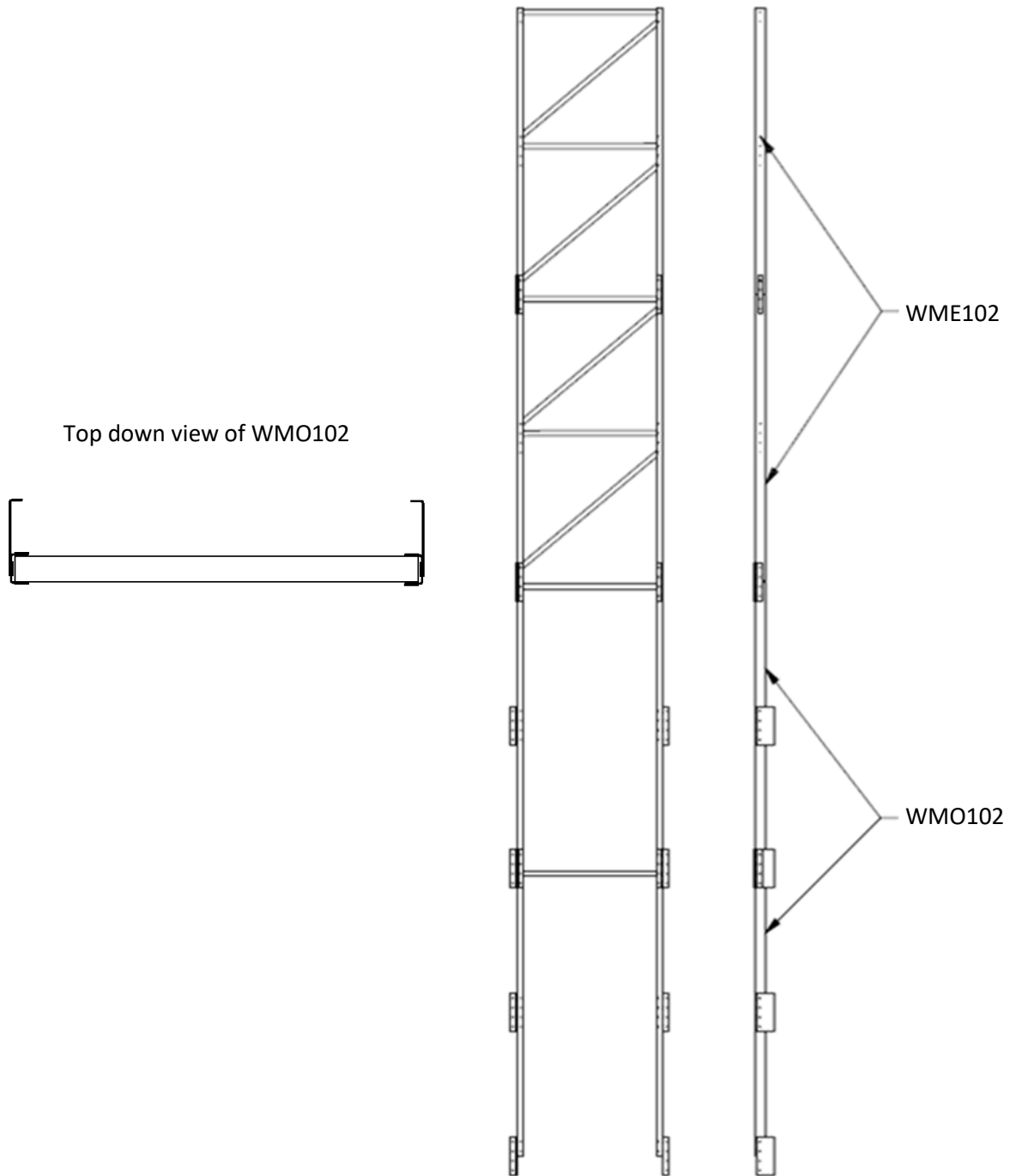
Conveyor Support



Ordering Information: Manwalk pitch should not exceed 20° or 4.3":12". For steeper inclines, specify VP for variable pitch stair degree to 45°, or RS for roof stairs to 35°. Example: 69420VP or 69420RS. No extra charge for either option. The manwalk deck of the conveyor support consumes 26" of the width of the support. 48" support has 22" of conveyor space, 42" has 16" of conveyor space, 36" has 10" of conveyor space, and the 28" is for Bridged Manwalk. Allow 2" clearance from outside to kickboard on Manwalk.

Item	Description	List	
		Price	Weight
69280	10' 28"x17" Bridged Manwalk/Handrails	\$2,628.00	302 lbs
69360	10' 36"x17" Conveyor Support/Handrails	\$2,740.00	314 lbs
69420	10' 42"x17" Conveyor Support/Handrails	\$2,827.00	324 lbs
69480	10' 48"x17" Conveyor Support/Handrails	\$2,950.00	338 lbs
69882	10' 48"x17" Conveyor Support with 8ga siderails, double brace	\$3,452.00	403 lbs
64420	10' 42"x27" Conveyor Support/Handrails	\$2,979.00	342 lbs
64480	10' 48"x27" Conveyor Support/Handrails	\$3,051.00	350 lbs
64485	10' 48"x27" Conveyor Support with 8ga siderails	\$3,107.00	370 lbs
64882	10' 48"x27" Conveyor Support with 8ga siderails, double brace	\$3,566.00	422 lbs

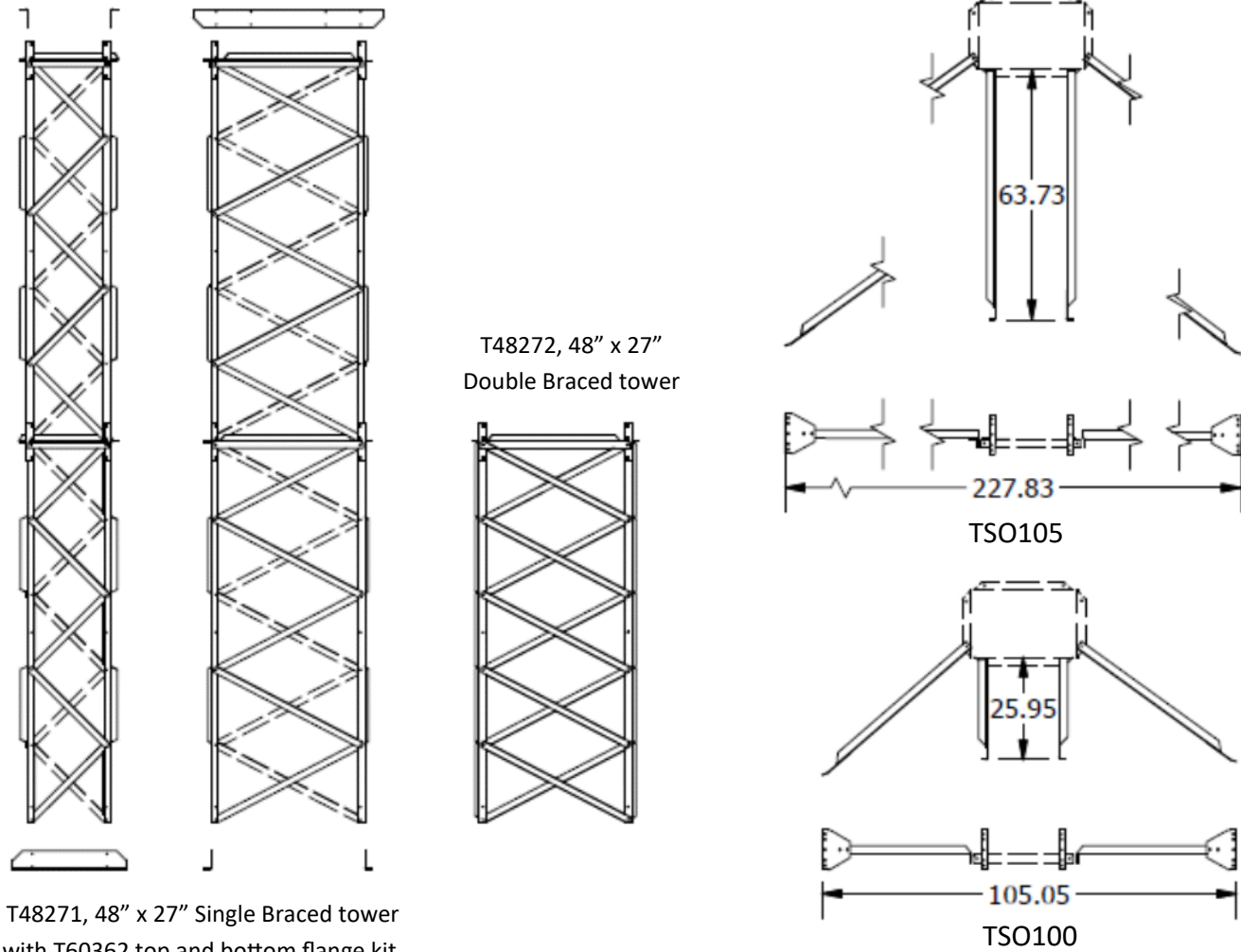
Conveyor Support Wall Mount Towers



Ordering Information: Use WMO102 from the eave to the concrete pad. Use WME102 for any height needed above the eave. Overall width of tower is 61" with 56" between the siderails. Clearance from bin wall is 8", the outside of the tower is 12" from the bin wall.

Item	Description	List Price	Weight
WME102	10' Extension for Wall Mounted Support for 2 stiffener tank	\$1,851.00	212 lbs
WMO102	10' Bin Wall Mounted Support for 2 stiffener tank	\$1,449.00	168 lbs

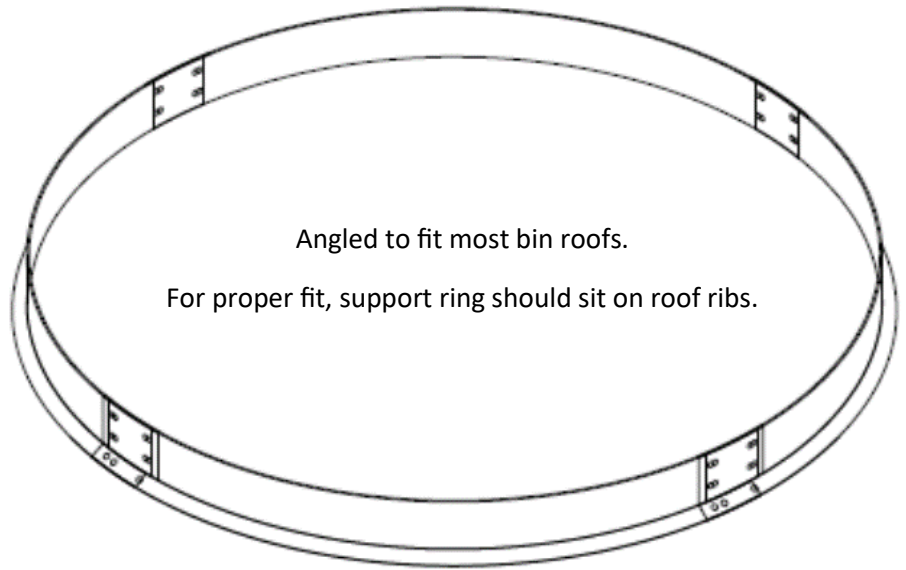
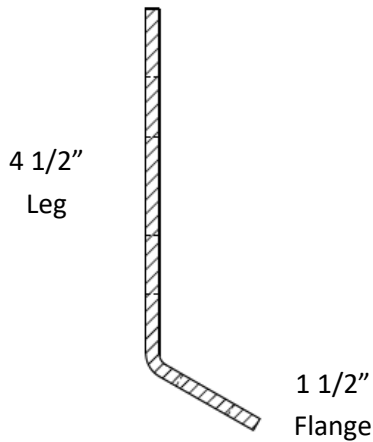
Box Frame Support Towers



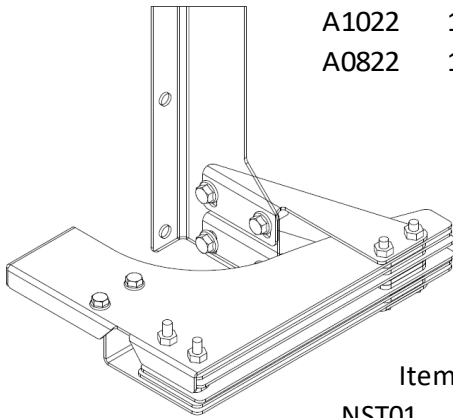
Ordering Information: *Not to be used free standing, the box frame support towers require lateral bracing every 20'. The concrete pad footing should be below the frost line.*

Item	Description	List Price	Weight
T17171	10' 17"x17" Tower, single braced	\$1,528.00	175 lbs
T17172	10' 17"x17" Tower, double braced	\$1,829.00	210 lbs
T27171	10' 27"x17" Tower, single braced	\$1,562.00	179 lbs
T27172	10' 27"x17" Tower, double braced	\$2,236.00	256 lbs
T48271	10' 48"x27" Tower, single braced	\$2,058.00	236 lbs
T48272	10' 48"x27" Tower, double braced	\$2,823.00	336 lbs
T48278	10' 48"x27" 8 ga Tower, single braced	\$2,236.00	256 lbs
T82782	10' 48"x27" 8 ga Tower, double braced	\$3,321.00	380 lbs
T48301	48" Top 30" Bottom 17" Tower	\$596.00	68 lbs
T60362	60" Top 36" Bottom 27" Tower	\$715.00	82 lbs
TSO100	Tower Stand Off close 26"	\$132.00	15 lbs
TSO105	Tower Stand Off 63"	\$628.00	92 lbs
T36361	10' 36"x36" Tower, single braced (for use with air systems)	\$2,058.00	236 lbs
T00363	Bottom 36" x 36" Tower	\$333.00	38 lbs

Support Rings



Item	Description	List Price	Weight
SR8050	50" Support Ring 3 section	\$449.00	51 lbs
SR8066	66" Support Ring 4 section	\$598.00	68 lbs
SR8083	83" Support Ring 5 section	\$747.00	85 lbs
SR8100	100" Support Ring 6 section	\$897.00	102 lbs
A1222	10' 2" x 2" x 12ga Galvanized Angle GR	\$107.00	15 lbs
A1022	10' 2" x 2" x 10ga Galvanized Angle YW	\$120.00	17 lbs
A0822	10' 2" x 2" x 8ga Galvanized Angle OR	\$167.00	23 lbs



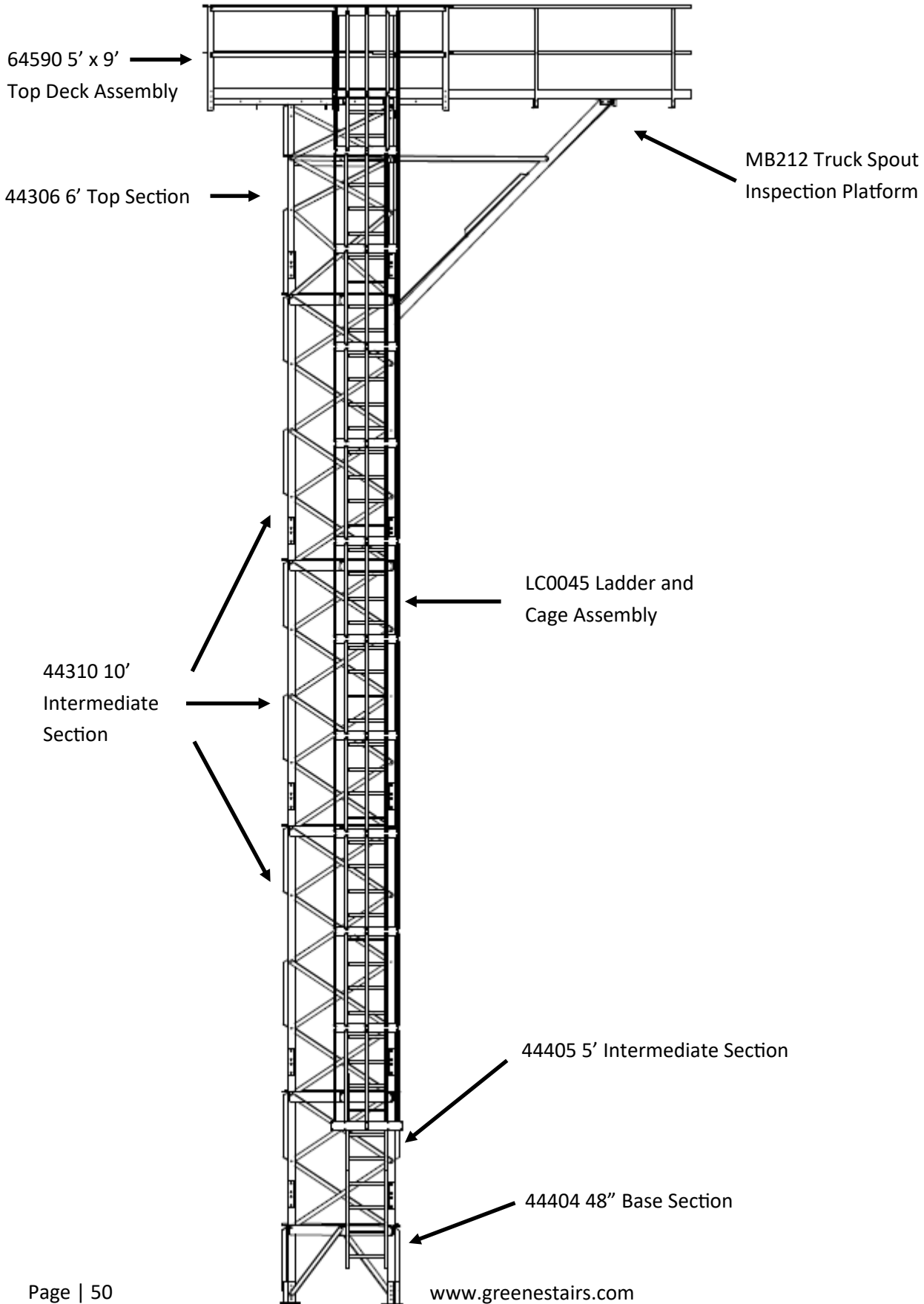
Greene Railing Former depicted here

Item	Description	NET PRICE
NST01	Nutsert Tool	\$117.00
NS100	Nutsert 100pk	\$61.00
NUTNP	Nutsert Mandrel	\$18.00
GRF150	Greene Railing Former	\$60.00
HF99736	Tubing Roller Round Stock: 3/4 in. - 2 in. Available from Harbor Freight	\$350.00
29993	Ridgid Hand Deburrer Available from Zoro	\$129.00

Tools

Loop End Towers, 4' x 4'

64451 45' Loop Tower, 64590 5' x 9' Top Deck, MB212 Truck Spout and LC0045 Ladder and Cage depicted.



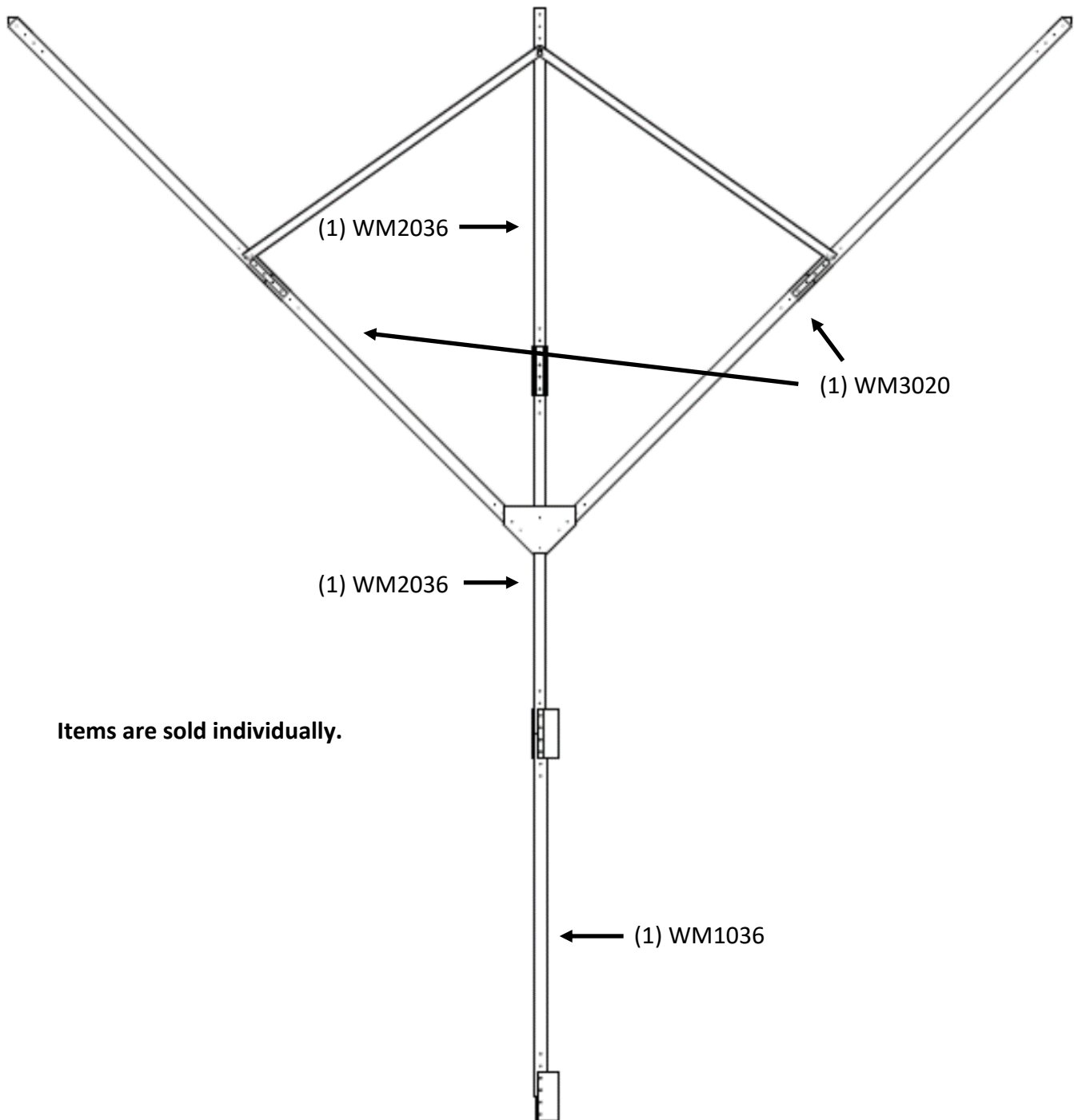
Loop End Towers

Part #	Description								Price			Price	
		43306 72" 3/16" Top	44304 40" 3/16" Top	44310 120" 3/16" Int.	44404 48" 1/4" Base	44405 60" 1/4" Int.	44410 120" 1/4" Leg	44504 48" 5/16" Base		Weight Lbs	Ladder & Cage		Weight Lbs
64201	20' Loop Tower	1		1	1				820	\$6,118.00	LC0020	200	\$2,042.00
64221	22.5' Loop Tower		1	1	1	1			992	\$7,551.00	LC0025	230	\$2,293.00
64251	25' Loop Tower	1		1	1	1			1035	\$7,848.00			
64271	27.5' Loop Tower		1	2	1				1107	\$8,321.00	LC0030	250	\$2,798.00
64301	30' Loop Tower	1		2	1				1150	\$8,431.00			
64321	32.5' Loop Tower		1	2	1	1			1322	\$9,274.00	LC0035	380	\$3,227.00
64351	35' Loop Tower	1		2	1	1			1365	\$9,918.00			
64371	37.5' Loop Tower		1	3	1				1437	\$10,527.00	LC0040	410	\$3,556.00
64401	40' Loop Tower	1		3	1				1480	\$10,940.00			
64421	42.5' Loop Tower		1	3	1	1			1652	\$11,950.00	LC0045	455	\$3,987.00
64451	45' Loop Tower	1		3	1	1			1695	\$12,595.00			
64471	47.5' Loop Tower		1	3	1		1		1797	\$13,142.00	LC0050	470	\$4,313.00
64501	50' Loop Tower	1		3	1		1		1840	\$13,786.00			
64521	52.5' Loop Tower		1	3		1	1	1	2017	\$15,001.00	LC0055	500	\$4,740.00
64551	55' Loop Tower	1		3		1	1	1	2060	\$15,644.00			
64571*	57.5' Loop Tower		1	3			2	1	2162	\$16,479.00	LC0060	550	\$5,067.00
64601*	60' Loop Tower	1		3			2	1	2205	\$16,832.00			
End Tower Sections													
43306	72" Loop Tower Top Section, 3/16" Leg								175	\$1,206.00			
44304	40" Loop Tower Top Section, 3/16" Leg								132	\$909.00			
44440	40" Loop Tower Top Section, 1/4" Leg								136	\$1,022.00			
44310	120" Loop Tower Intermediate Section, 3/16" Leg								330	\$2,274.00			
44405	60" Loop Tower Intermediate Section, 1/4" Leg								215	\$1,504.00			
44410	120" Loop Tower Intermediate Section, 1/4" Leg								360	\$2,614.00			
44404	48" Loop Tower Base Section, 1/4" Leg								315	\$2,864.00			
44504	48" Loop Tower Base Section, 5/16" Leg								320	\$3,212.00			
Other Tower Accessories													
64-AT002	Anchor Template	Included with tower order							15				
64230	Ladder Platform (Includes additional 5' ladder)								231	\$1,472.00			
64550	5 x 5 Top Deck								350	\$2,298.00			
64590	5 x 9 Top Deck								540	\$4,366.00			
MB212	Manwalk and Supports to service truck load spout								407	\$2,240.00			
LC0010	10' Ladder and Cage (no top or flare)								100	\$912.00			

*57.5' and 60' Loop Towers are ONLY to be used with a 10" or smaller loop tube.

Wall Mount Loop Supports

(Not for Manwalk or Conveyor Support)

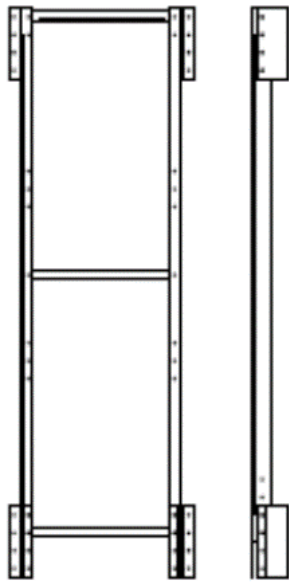


Ordering Information:

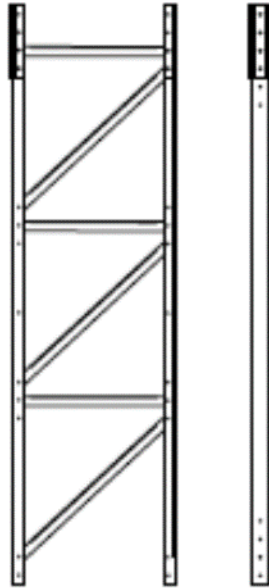
- Order 1 WM1036 for every 10' of sidewall height, plus extensions and kickers above the eave
- WM3020 has 20' long siderails and overall spread of kickers is 28' (14' on center)
- WM3010 has 10' long siderails and overall spread of kickers is 16' (8' on center)
- Overall width 36" with 31" between siderails
- Clearance from bin wall is 8", the outside of the tower is 12" from the bin wall

Wall Mount Loop Supports

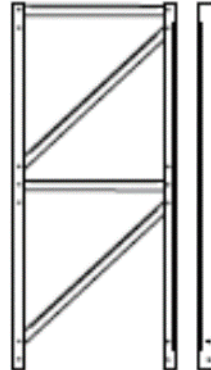
(Not for Manwalk or Conveyor Support)



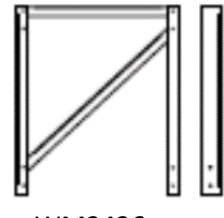
WM1036



WM2036

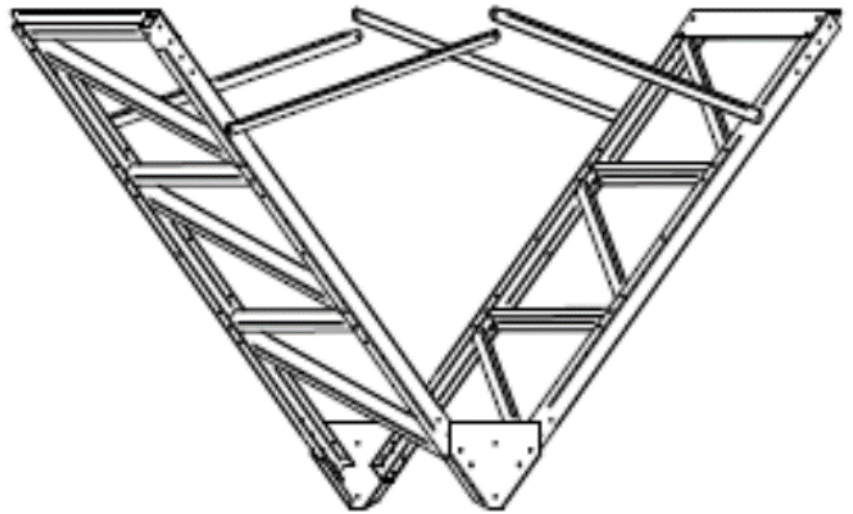
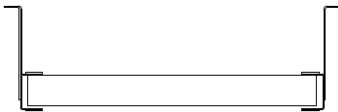


WM2836



WM2436

Top down view of
WM1036



WM3010

Wall Mount Tower not included with kicker packages

Item	Description	List Price	Weight
WM1036	Wall Loop Support Bin Wall Section	\$955.00	160 lbs
WM2036	Wall Loop 10' Extension (for use above eave)	\$955.00	160 lbs
WM2436	Wall Loop 40" Extension (for use on top of tower only)	\$371.00	60 lbs
WM2536	Wall Loop 50" Extension (for use on top of tower only)	\$422.00	70 lbs
WM2836	Wall Loop 80" Extension (for use on top of tower only)	\$675.00	111 lbs
WM3010	10' Wall Loop Kicker	\$2,453.00	390 lbs
WM3020	20' Wall Loop Kicker	\$4,898.00	778 lbs

Contact Information

General Sales and Customer Service

Sumer Horton sumer@greenebinstairs.com
Holly Pagán holly@greenebinstairs.com

Commercial Sales, Material Handling

Mike Adams mike@greenebinstairs.com
Bill Huff bill@greenebinstairs.com

Shipping

Ashlee Lewis ashlee@greenebinstairs.com

Accounting

Adam Muehl adam@greenebinstairs.com

Orders

orders@greenebinstairs.com

Inquiries

info@greenebinstairs.com

Office Hours: Monday - Friday 7:30am-4pm

Shipping Hours: Monday - Friday 7:30am-3:30pm

Same day shipping cutoff is 10am

All times Central

All our Product Line Cards can be found on our website

www.greenestairs.com/knowledge-base.html



Stairs and Safe Access Equipment manufactured by the

ORIGINATORS of Grain Bin Stairs.

MADE IN THE USA

Greene Galvanized Stairs is an ISO 9001:2015 registered company